



435 2WD / 535 2WD

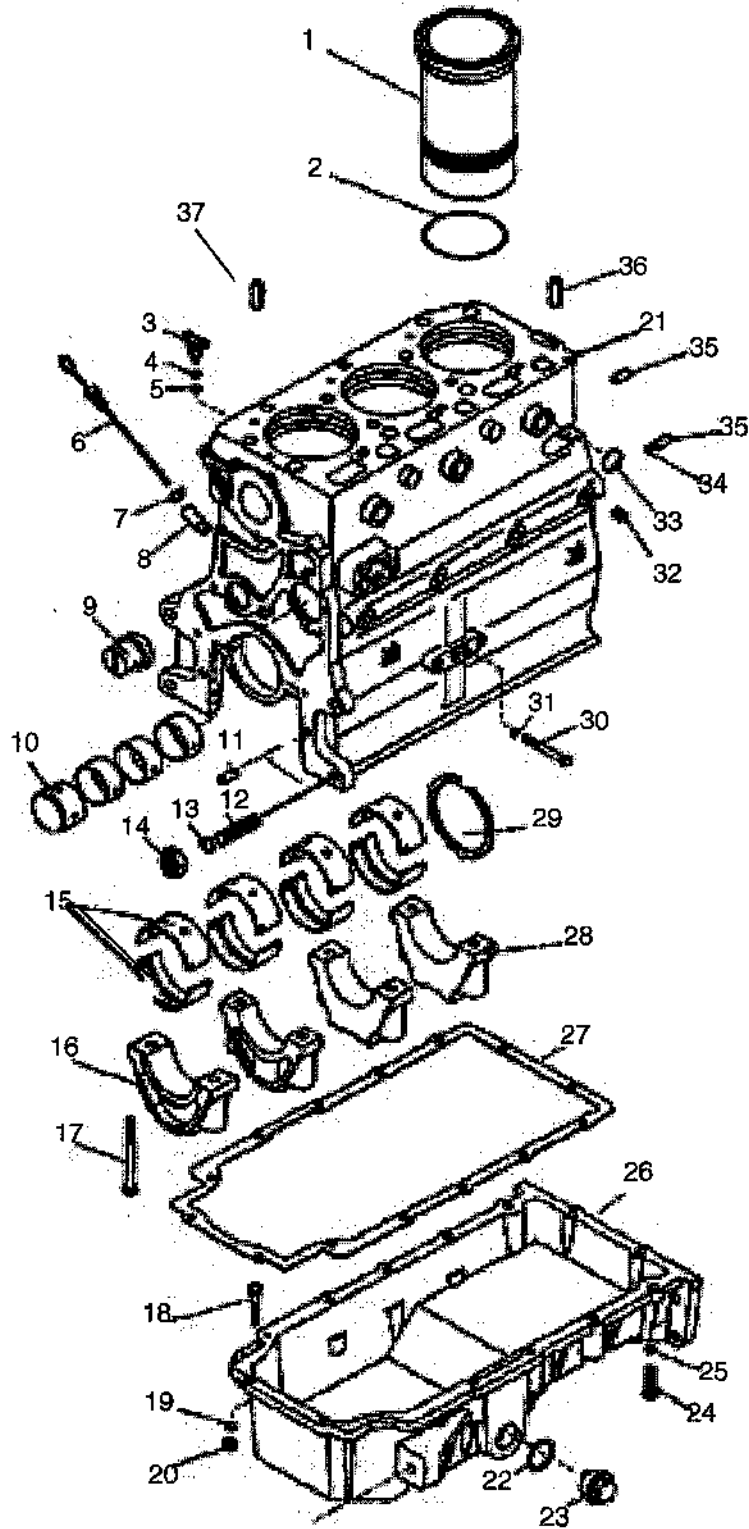
PART'S MANUAL

435 / 535 DTC

SECTION 1

ENGINE

435 / 535



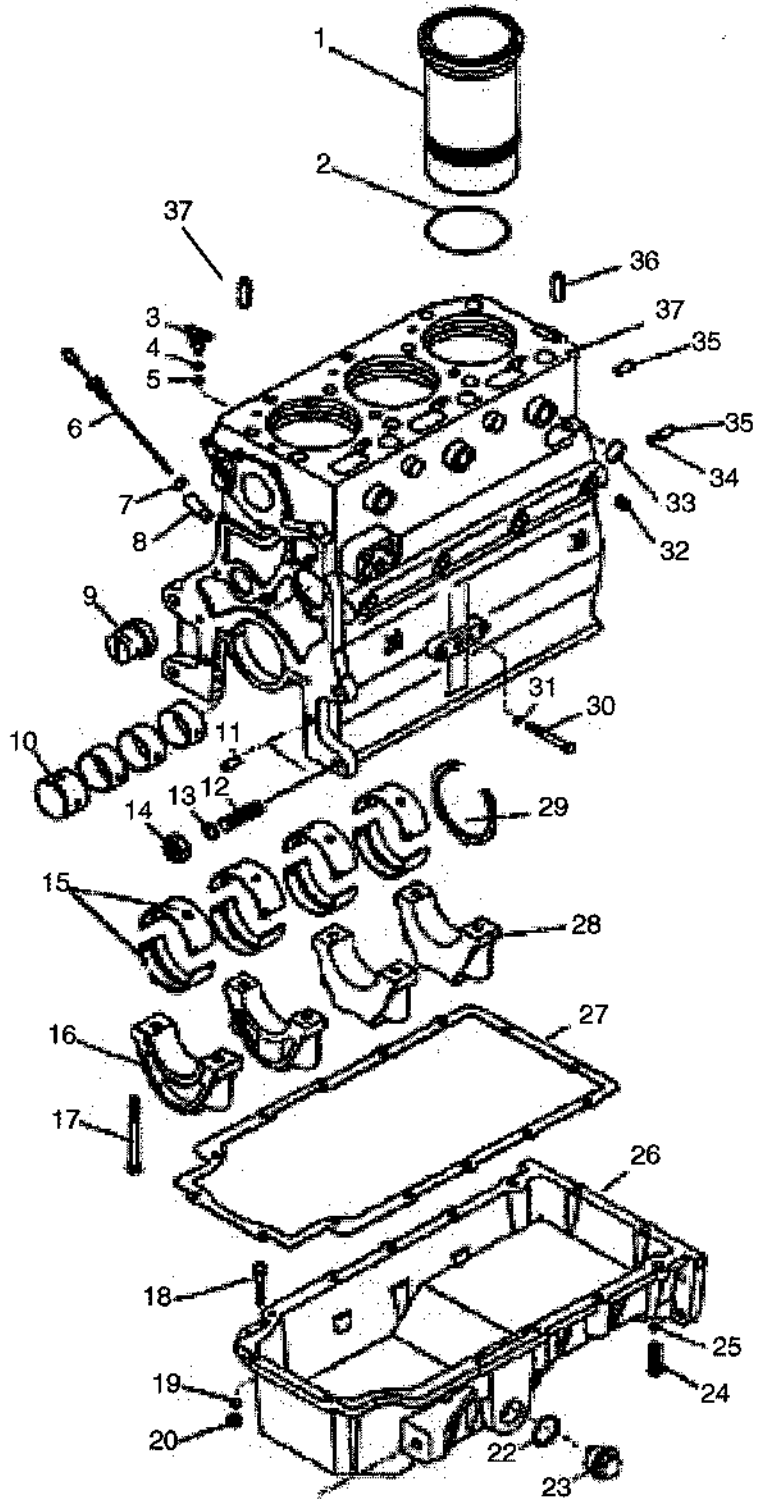
CYLINDER BLOCK

435 / 535

ITEM NO	PART NO.	DESCRIPTION	VENDOR No.	QUANTITY 435 535	
1	ESL14207	Cylinder Liner	D10009220	3	3
2	ESL14208	Cylinder Liner Seal	D10010040	6	6
3	ESL14967	Water Drain Cock Assembly	D10006570	1	1
4	ESL14210	Washer	D10008900	2	2
5	ESL14211	SealingWasher, Drain Cock	D10000000	1	1
6	ESL14212	Oil Dip Stick	D10009080	1	1
7	ESL14213	'O'Ring	D10007700	2	2
8	ESL14214	Tube	D10009090	1	1
9	ESL14215	Shaft Intermediate Gear	D10009310	1	1
10	ESL14216	Cam Bush Set	D10075760	1	1
11	ESL14217	Positioning Dowel	D10009340	2	2
12	ESL14218	Stud, Front Axle Support	D10035660	4	4
13	ESL14219	Spring Washer (M20)	D10032940	4	4
14	ESL14220	Nut (M20x1.5-8)	D10032950	4	4
15	ESL14221	Main Bearing Set Standard	D10073760	1	1
-	ESL14222	Main Bearing Set - 10	D10075700	1	1
-	ESL14223	Main Bearing Set - 20	D10075710	1	1
-	ESL14224	Main Bearing Set - 30	D10075720	1	1
16	ESL14225	Cap, 1st, 2nd,3rd,Main Bearing	-	3	3
17	ESL14226	Bolt, Main BearingCap	D10009510	8	8
18	N605535S8	Bolt (M8x40-8.8)	-	2	2
19	N630173S8	Washer, Lock (M8)	D85500130	2	2
20	N630013S8	Nut (M8-8)	D83500060	2	2
21	ESL14237	Cylinder Block Assembly	D10047490	1	1
22	ESL14227	Washer	D10052670	1	1
23	ESL14228	Drain Plug Assembly	D10050310	1	1
24	N605546S8	Screw (M10x30)	-	12	12
25	N630069S8	Washer (M10)	N630069S36	12	12
26	ESL14229	Oil Sump	D10009100	1	1
27	ESL14230	Gasket, Oil Sump	D10009110	1	1
28	ESL14231	Cap, Thrust Main Bearing	-	1	1
29	ESL14232	Thrust Washers Set	D10073780	1	1
30	N605547S8	Bolt (M10x38-8.8)	-	2	2
31	N630174S8	Spring Washer	N630174S36	2	2
32	ESL14233	Pipe Plug (Taper Oil Gallery)	D10035650	4	4
33	ESL14234	Plug, Cylinder Block	D10008890	3	3
34	ESL14235	Washer, Oil Gallery	D10009430	3	3
35	ESL14236	Dowel, Plug (Cylinder Block Oil Gallery)	D10009990	3	3
36	ESL14238	Dowel Sleeve	D87500070	2	2
37	ESL14306	Positioning Dowel	D87500080	2	2

CYLINDER BLOCK

435 / 535



CYLINDER BLOCK



ENGINE

435 / 535

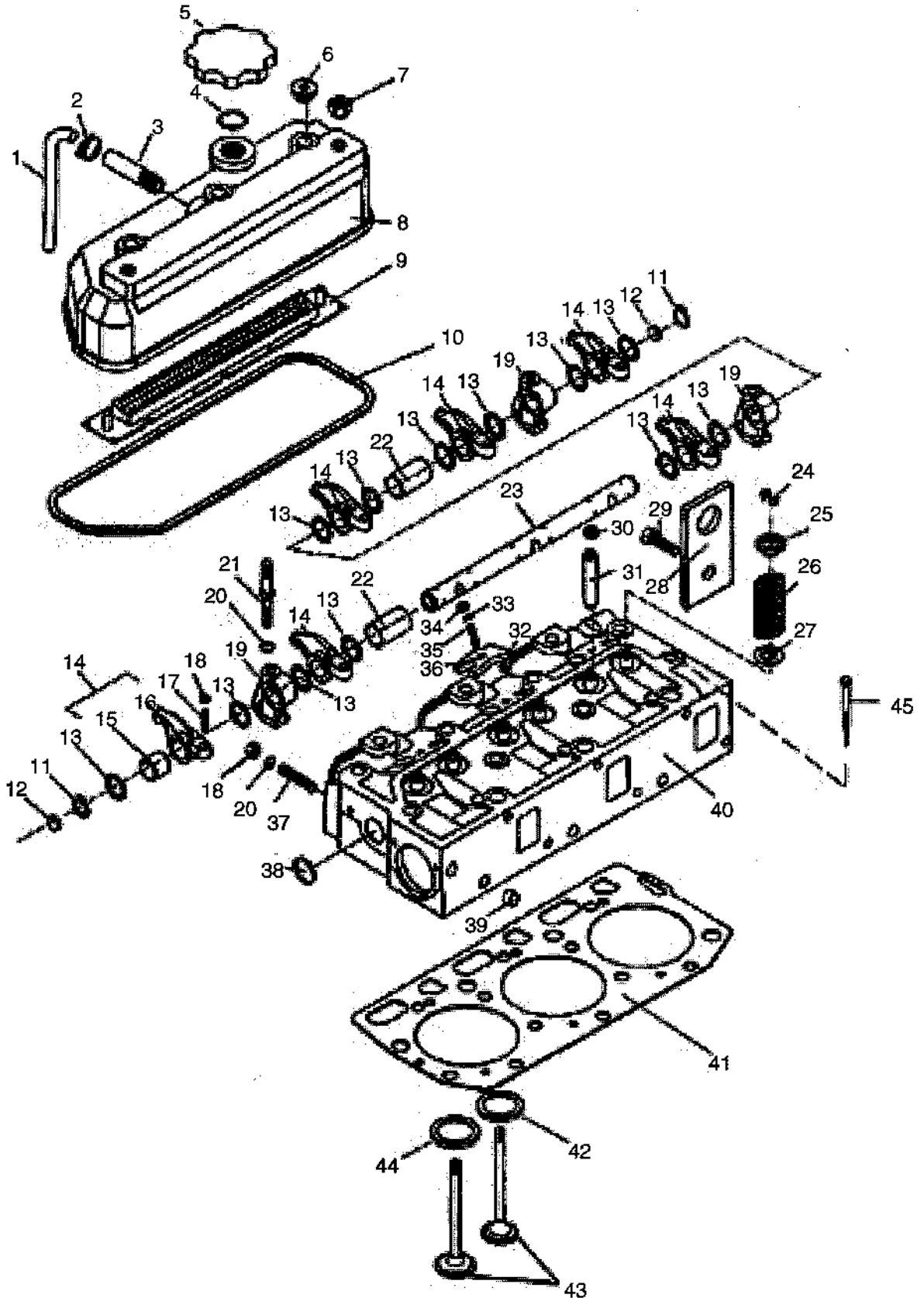
ITEM No	PART No.	DESCRIPTION	VENDOR No.	QUANTITY
Service Kits & Sub Assemblies				
38	ESL14239	Engine Overhaul Gasket Set	D10073710	1 1
39	ESL14240	D.C Gasket Kit	D10073640	1 1
40	ESL14241	Engine Overhauling Kit	D10000000	1 1
41	ESL14242	Engine Bearing Set - Standard	D10073720	1 1
-	ESL14243	Engine Bearing Set - 10	D10073730	1 1
-	ESL14244	Engine Bearing Set - 20	D10073740	1 1
-	ESL14245	Engine Bearing Set - 30	D10073750	1 1
42	ESL15468	Engine Assembly	D10108430	1 1

CYLINDER BLOCK

⊖ - SERIAL NUMBER BREAK ,

↙ - INDICATES UP TO AND INCLUDING THAT SERIAL NUMBER

435 / 535



CYLINDER HEAD

1:5

⊗ - SERIAL NUMBER BREAK,

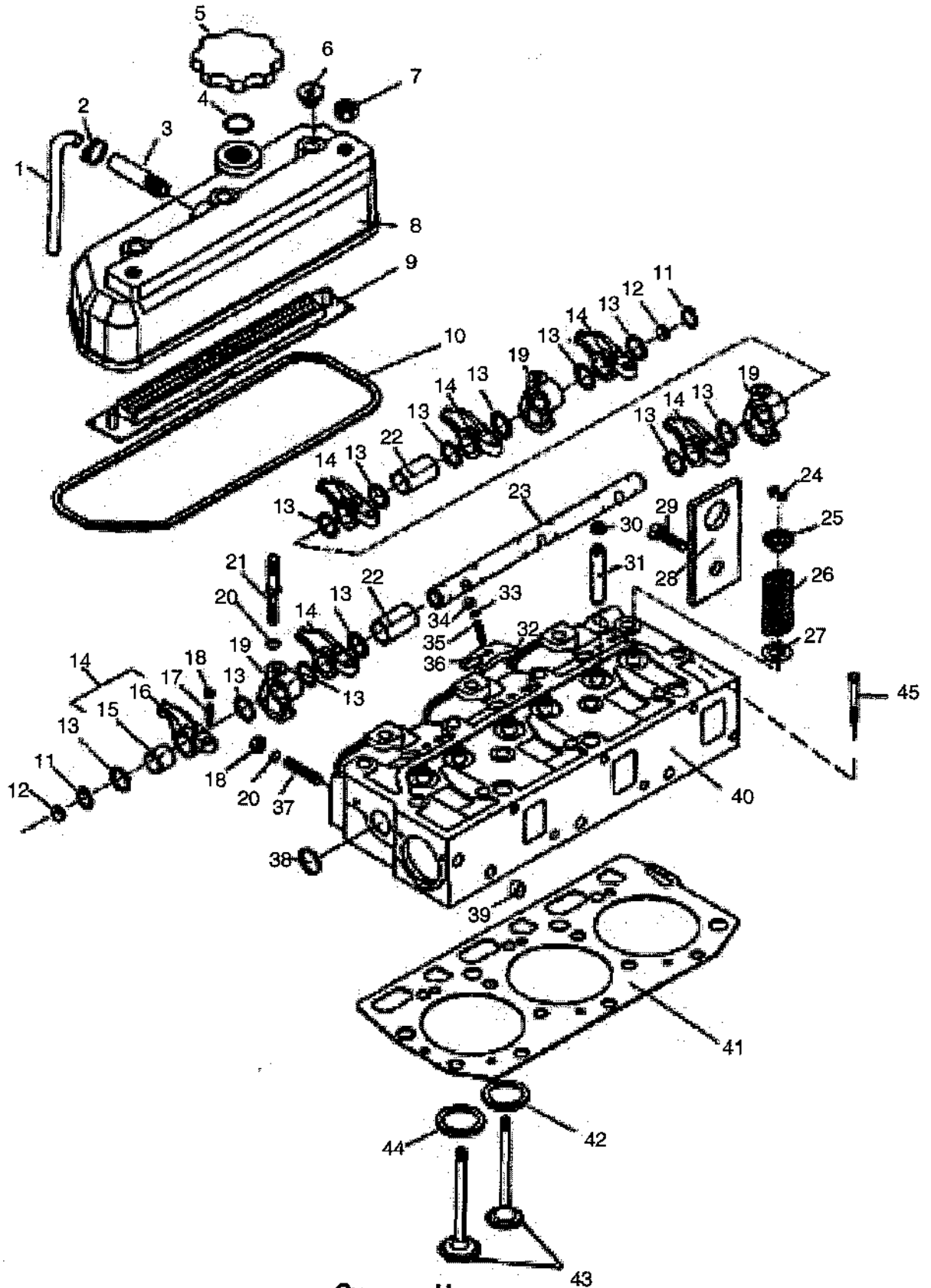
⊗ - INDICATES UP TO AND INCLUDING THAT SERIAL NUMBER

435 / 535

ITEM No	PART No.	DESCRIPTION	VENDOR No.	QUANTITY	
				435	535
1	ESL14247	Hose, Breather	D10035570	1	1
2	ESL14248	Hose Clip	D10034650	2	2
3	ESL14249	Tube	D10039100	1	1
4	ESL14250	'O'Ring Oil Filling Neck	D10010020	1	1
5	ESL14251	Cap, Oil Filling	D10039090	1	1
6	ESL14252	Washer Seal	D10008950	3	3
7	ESL15469	Nylock Nut	D83500060	3	3
8	ESL15470	Cylinder Head Cover	D10081310	1	1
9	ESL14255	Baffle Plate Assembly	D10053360	1	1
10	ESL14256	Seal, Cylinder Head Cover	D10008960	1	1
11	ESL14257	Circlip-C (22x1.22)	D90000060	2	2
12	ESL14258	Welch Plug	D10105240	2	2
13	ESL14259	Washer, Rocker Shaft	D10008830	12	12
14	ESL14260	Rocker Arm Assembly	D10009040	6	6
15	ESL14261	Bush, Rocker Arm	D10009060	6	6
16	ESL14262	Rocker Arm	-	6	6
17	ESL14263	Adjusting Screw (M10x1)	D10009030	6	6
18	N620014S8	Nut (M10-6)	N620014S36	12	12
19	ESL14264	Bracket, Rocker Shaft	D10008570	3	3
20	N630174S8	Spring Washer (M10)	N630174S36	9	9
21	ESL14265	Bolt, R.A. Bracket	D10009010	3	3
22	ESL14266	Spacer, Rocker Arm Shaft	D10008560	2	2
23	ESL14267	Rocker Arm Shaft Assembly	D10009070	1	1
24	ESL14268	Cotter, Valve	D10008690	12	12
25	ESL14269	Disc Valve Spring	D10008700	6	6
26	ESL14270	Valve Spring	D10008710	6	6
27	ESL14271	Seat, Valve Spring Lower	D10008750	6	6
28	ESL14272	Lifting Plate	D10008600	2	2
29	N605532S8	Screw (M10x25-6.8)	-	2	2
30	ESL14273	Seal, Valve Stem	D10008740	6	6
31	ESL14274	Valve Guide	D10049520	6	6
32	ESL14275	Pin, Nozzle Holder	D10022020	3	3
33	ESL14276	Washer Nozzle Holder	D10022040	3	3
34	N620013S8	Nut, Hex (M8)	N620013S36	3	3
35	ESL14277	Stud Nozzle Holder	D10039010	3	3
36	ESL14278	Clamp, Injector	D10022030	3	3
37	ESL14279	Stud (M10x30-8.8)	D84500020	6	6
38	ESL14280	Plug, Welch	D10008890	6	6

CYLINDER HEAD

435 / 535



CYLINDER HEAD



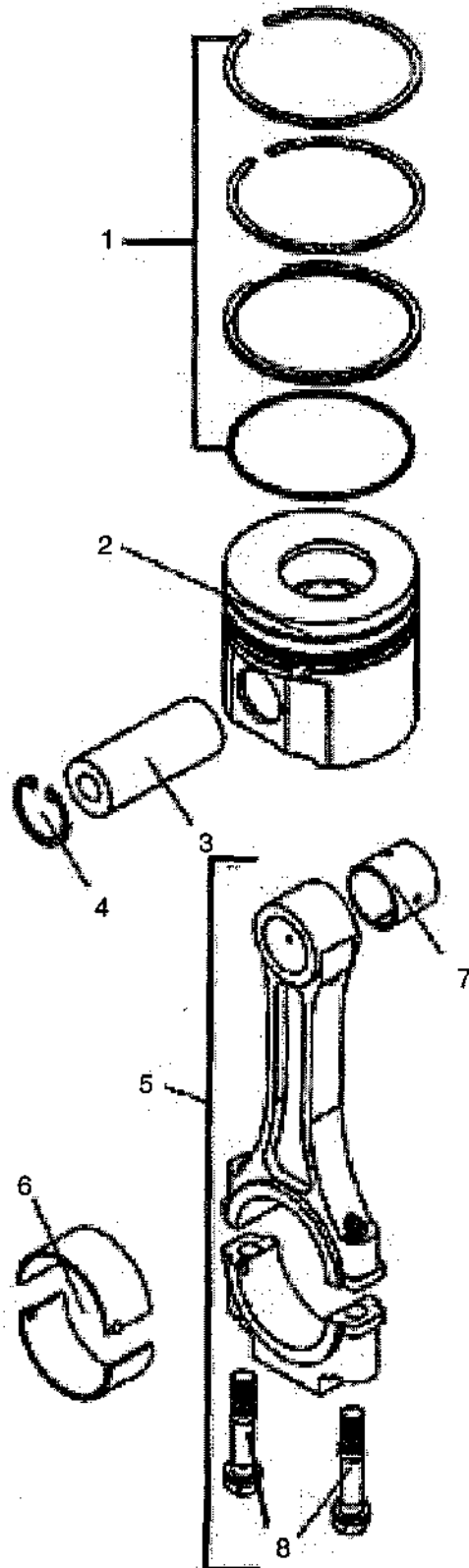
ENGINE

435 / 535

<i>ITEM No</i>	<i>PART No.</i>	<i>DESCRIPTION</i>	<i>VENDOR No.</i>	<i>QUANTITY</i>	
				435	535
39	ESL14281	Plug Cylinder Head (12")	D10008680	3	3
40	ESL15471	Cylinder Head Assembly (Without Valves)	D10108610	1	1
41	ESL14283	Gasket, Cylinder Head	D10008770	1	1
42	ESL14284	Seat Ring, Inlet Valve	D10053470	3	3
43	ESL14285	Valve Set	D10074180	3	3
44	ESL14286	Seat Ring, Exhaust Valve	D10053460	3	3
45	ESL14287	Bolt, Cylinder Head	D10008580	14	14

CYLINDER HEAD

435 / 535



PISTON & CONNECTING ROD

1:9

⊗ - SERIAL NUMBER BREAK, ↙ - INDICATES UP TO AND INCLUDING THAT SERIAL NUMBER



ENGINE

435 / 535

ITEM NO	PART NO.	DESCRIPTION	VENDOR NO.	QUANTITY	
				435	535
1	ESL14288	Ring Set (Engine Set)	D10072480	1	1
2	ESL14289	Piston Assembly (Engine Set With Rings)	D10072450	1	1
3	-	Pin, Piston (NSS)	D10009760	3	3
4	ESL14290	Inner Circlip	D90500050	6	6
5	ESL14291	Connecting Rod Assembly	D10009680	3	3
6	ESL14292	Connecting Rod Bearing Set - Standard	D10073770	1	1
-	ESL14293	Connecting Rod Bearing Set - 10	D10075730	1	1
-	ESL14294	Connecting Rod Bearing Set - 20	D10075740	1	1
-	ESL14295	Connecting Rod Bearing Set - 30	D10075750	1	1
7	ESL14296	Bush Set Small End (Set of 3 Bushes)	D10075670	1	1
8	ESL14297	Bolt, Connecting Rod	D10009720	6	6

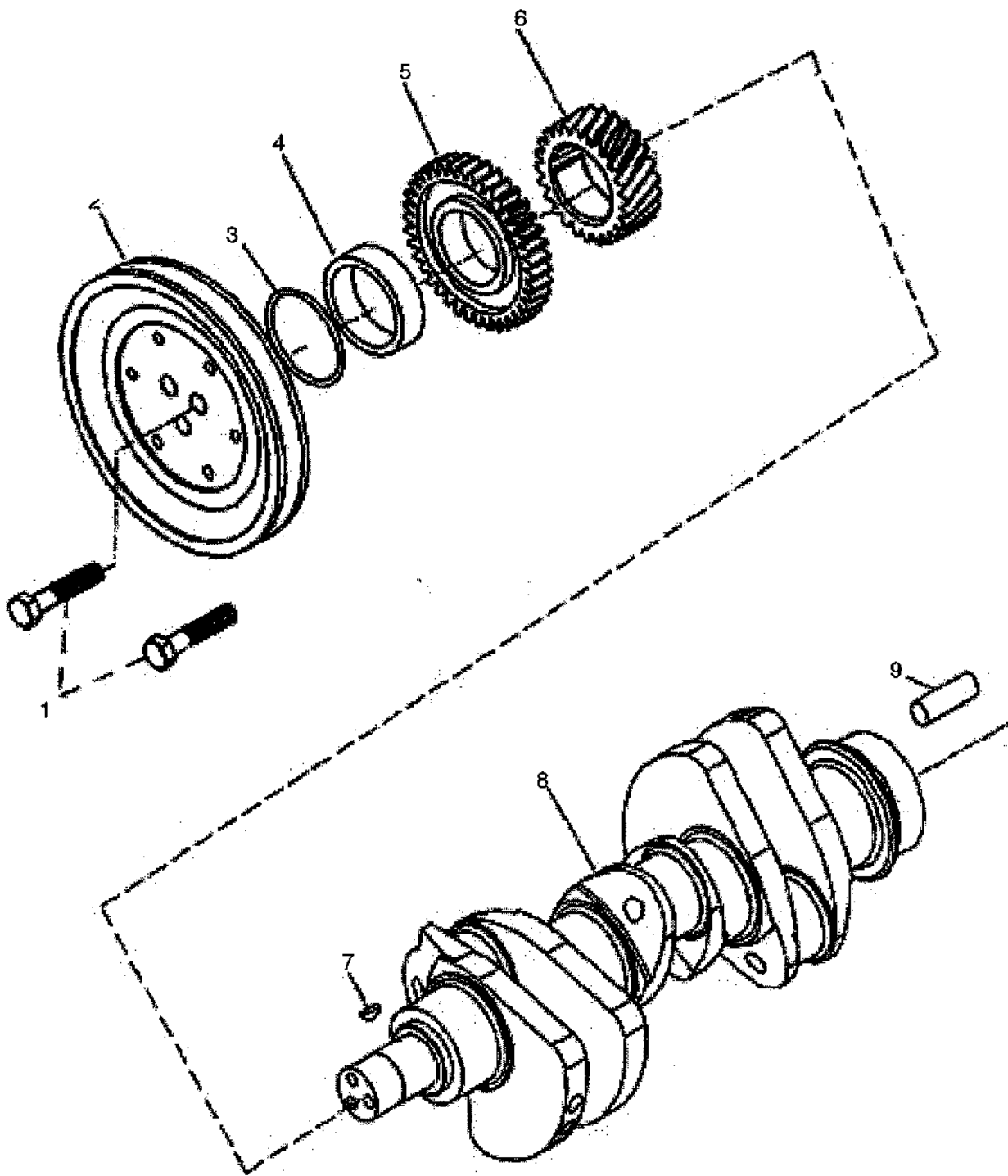
PISTON & CONNECTING ROD



- SERIAL NUMBER BREAK ,



- INDICATES UP TO AND INCLUDING THAT SERIAL NUMBER



CRANKSHAFT & PULLEY

435 / 535

ITEM No	PART No.	DESCRIPTION	VENDOR No.	QUANTITY	
				435	535
1	ESL14298	Bolt	D81500180	3	3
2	ESL14299	Crank Pulley	D10008780	1	1
3	ESL14300	'O'Ring For Spacer	D10010030	1	1
4	ESL14301	Spacer, Crank Pulley	D10008790	1	1
5	ESL14302	Gear, Crank Shaft L.O.P.	D10009570	1	1
6	ESL15472	Gear (Z-24)	D10108440	1	1
7	ESL14332	Woodruff Key	D91000130	1	1
8	ESL14305	Crank Shaft	D10009360	1	1
9	ESL14306	Positioning Dowel	D87500080	1	1

CRANKSHAFT & PULLEY

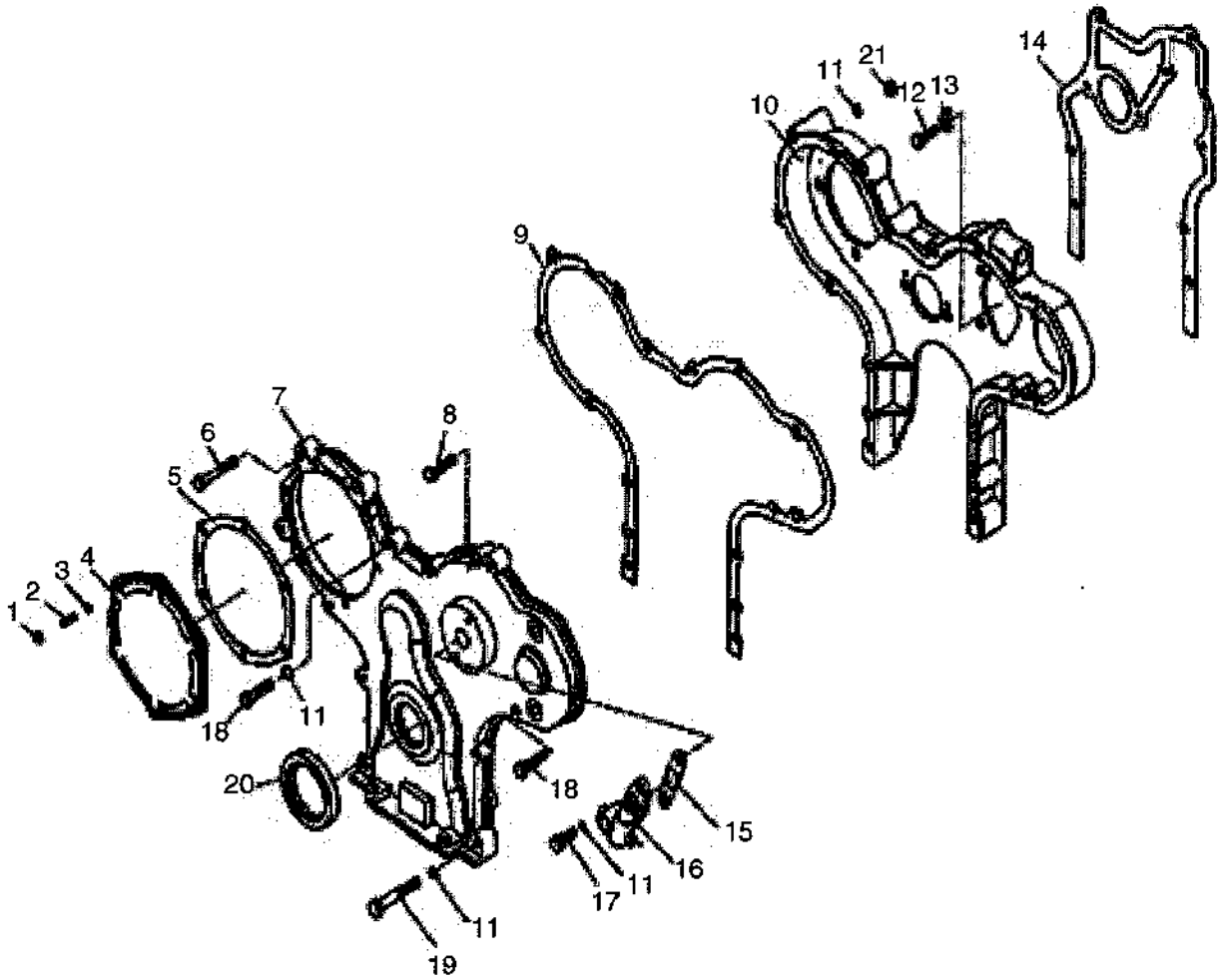


- SERIAL NUMBER BREAK ,



- INDICATES UP TO AND INCLUDING THAT SERIAL NUMBER

435 / 535



TIMING GEAR COVER & SEALING

1:13

☺ - SERIAL NUMBER BREAK, ↙ - INDICATES UP TO AND INCLUDING THAT SERIAL NUMBER



ENGINE

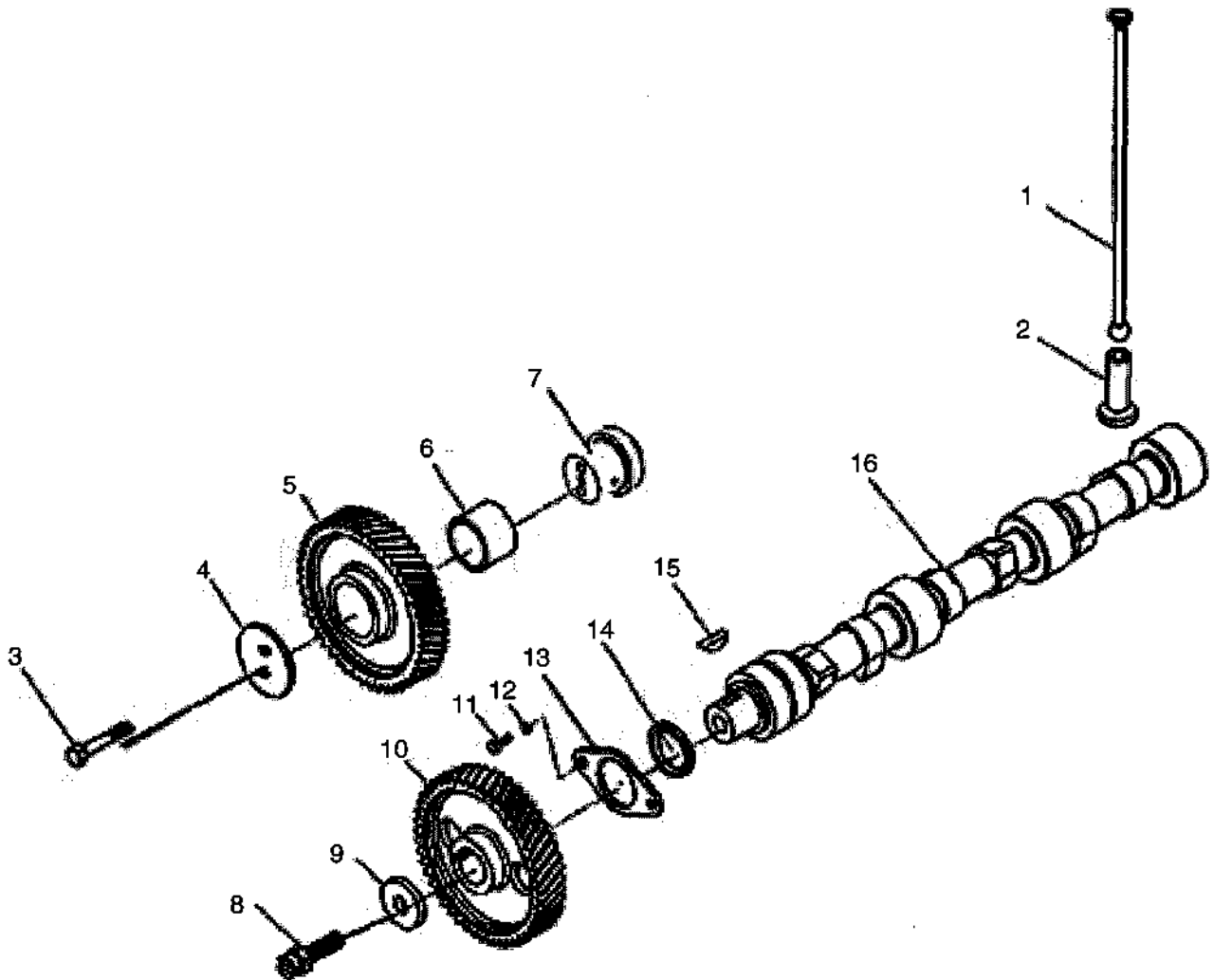
435 / 535

<i>ITEM No</i>	<i>PART No.</i>	<i>DESCRIPTION</i>	<i>VENDOR No.</i>	<i>QUANTITY</i>	
				435 535	
1	N620012S8	Nut (M6)	N620012S36	5	5
2	ESL14307	Stud, Inspection Cover	D10010010	5	5
3	N630172S8	Spring Washer	N630172S36	5	5
4	ESL14968	Inspection Cover	D10090600	1	1
5	ESL14309	Gasket , Inspection Cover	D10009540	1	1
6	N605539S8	Bolt	-	5	5
7	ESL14310	Timing Gear Cover	D10009300	1	1
8	N605532S8	Bolt (M8x25)	-	1	1
9	ESL14311	Gasket Timing Gear Cover	D10009520	1	1
10	ESL15473	Timing Gear Housing	D10091130	1	1
11	N630173S8	Spring Washer (M8)	N630173S36	17	17
12	N605531S8	Bolt	N605531S36	5	5
13	ESL14313	Tab Washer	D10029980	5	5
14	ESL14314	Gasket, Timing Gear Housing	D10009330	1	1
15	ESL14315	Gasket, Tacho Drive Unit	D10009910	1	1
16	ESL14316	Tacho Drive Unit	D10009900	1	1
17	ESL14329	Screw (M8-18)	D81501030	2	2
18	ESL14318	Bolt	D81500140	7	7
19	ESL14319	Bolt	D81500120	2	2
20	ESL14320	Oil Seal	D10009550	1	1
21	N620013S8	Nut (M8-8)	N620013S36	6	6

TIMING GEAR COVER & SEALING

⊖ - SERIAL NUMBER BREAK ,

↙ - INDICATES UP TO AND INCLUDING THAT SERIAL NUMBER



TIMING GEAR & CAMSHAFT

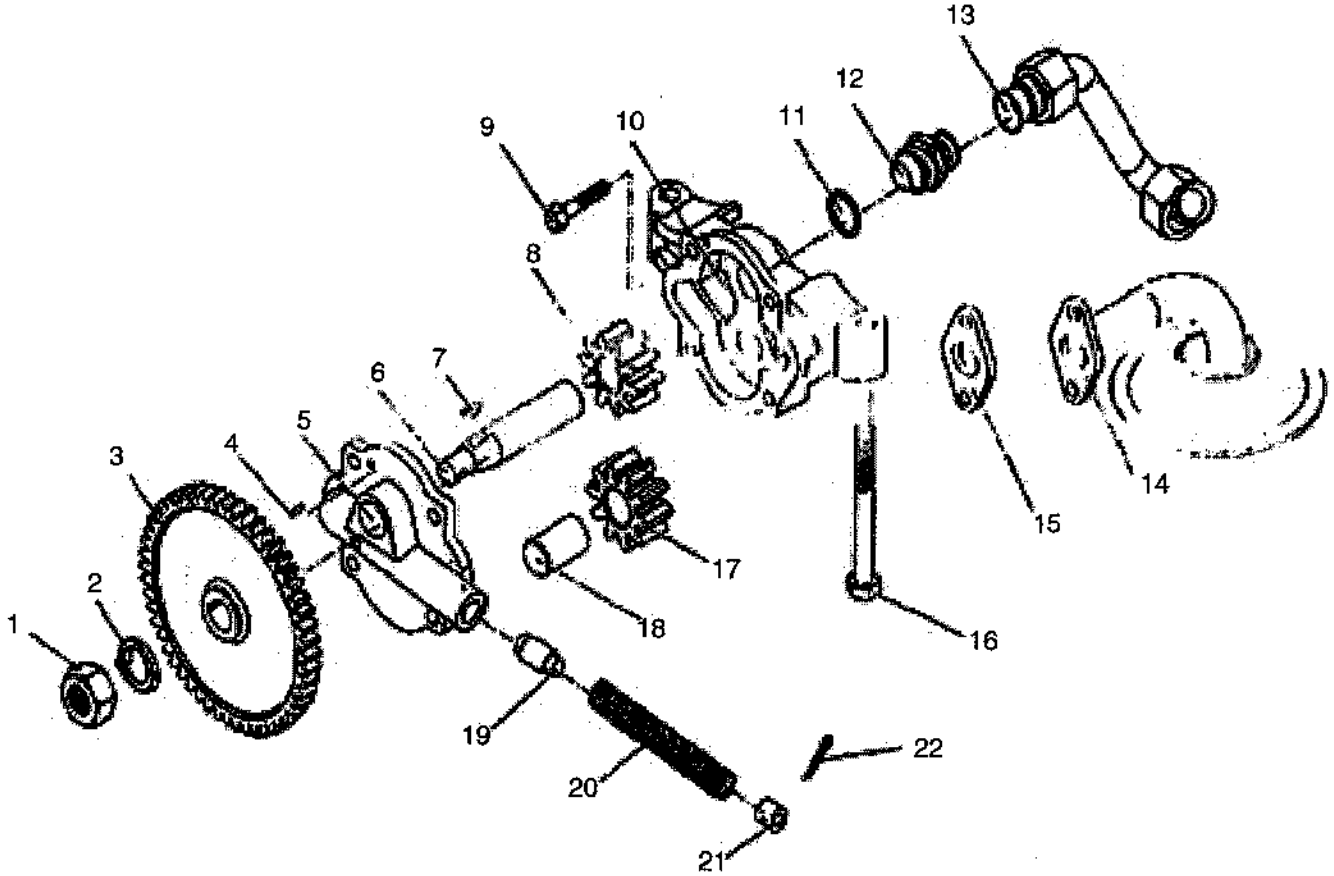
1:15

☺ - SERIAL NUMBER BREAK, ↙ - INDICATES UP TO AND INCLUDING THAT SERIAL NUMBER

435 / 535

ITEM No	PART No.	DESCRIPTION	VENDOR No.	QUANTITY
				435 535
1	ESL14335	Push Rod	D10009020	6 6
2	ESL14334	Tappet	D10009440	6 6
3	ESL14321	Bolt	D81500150	2 2
4	ESL14322	Thrust Plate (For Idler Gear)	D10009650	1 1
5	ESL15474	Intermediate Gear Assembly	D10108450	1 1
6	ESL14324	Bush, Intermediate Gear	D10051130	1 1
7	ESL14325	Shaft, Intermediate Gear	D10009320	1 1
8	ESL14326	Bolt, Cam Shaft (For Tacho Drive)	D10009230	1 1
9	ESL14327	Thrust Plate, Cam Shaft	D10009240	1 1
10	ESL15475	Gear, Camshaft (Z-48)	D10108470	1 1
11	ESL14329	Bolt (M8x20)	D81501030	2 2
12	N630173S8	Spring Washer (M8)	N630173S36	2 2
13	ESL14330	Thrust Flange, Camshaft	D10009270	1 1
14	ESL14331	Ring, Thrust Flange	D10009280	1 1
15	ESL14332	Woodruff Key	D91000130	1 1
16	ESL14333	Cam Shaft	D10009290	1 1

TIMING GEAR & CAMSHAFT



LUBE OIL PUMP



ENGINE

435 / 535

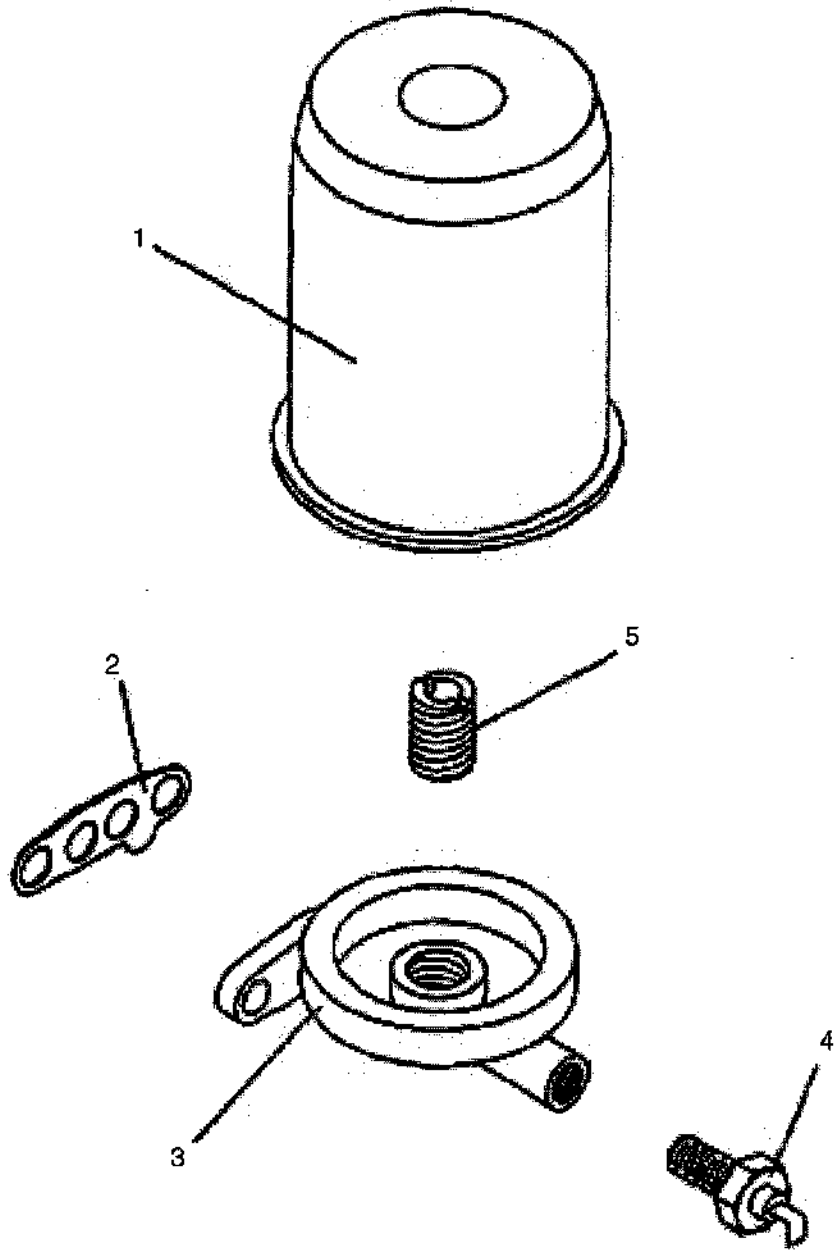
<i>ITEM No</i>	<i>PART No.</i>	<i>DESCRIPTION</i>	<i>VENDOR No.</i>	<i>QUANTITY</i>	
				435	535
-	ESL15476	Lube Oil Pump Assembly (without Driving Gear)	D10009820	1	1
1	N620016S8	Nut, Hex (M14x1.5-6)	N620016S36	1	1
2	N630176S8	Spring Washer	N630176S36	1	1
3	ESL14337	Gear, Pump Driving	D10009810	1	1
4	ESL14338	Dowel, Lube Oil Pump	D87500090	2	2
5	-	Pump Cover (NSS)	-	1	1
6	ESL14339	L.O.P. Driving Shaft	D10105350	1	1
7	ESL14340	Woodruff Key	D91000050	2	2
8	ESL14341	Gear Driving	D10103150	1	1
9	N605529S8	Bolt (M8x18-6.8)	N605529S8	4	4
10	-	Oil Pump Body (NSS)	-	1	1
11	ESL14342	Sealing Washer	D10008820	1	1
12	ESL14343	Adaptor	D10008810	2	2
13	ESL14344	Delivery Pipe Assembly	D10008800	1	1
14	ESL14345	Suction Pipe Assembly	D10009780	1	1
15	ESL14346	Gasket, Suction Assembly	D10009790	1	1
16	N605549S8	Bolt	N605549S36	2	2
17	ESL14347	Gear Driven	T77.11.008.16	1	1
18	ESL14348	Shaft, Driven Gear	-	1	1
19	ESL14349	Valve Plunger (Valve Piston)	D10052660	1	1
20	ESL14350	Spring	D10105360	1	1
21	ESL14351	Regulation Pipe	D10052790	1	1
22	ESL14352	Split Pin (3.2x32)	D8840040	1	1

LUBE OIL PUMP

⊖ - SERIAL NUMBER BREAK ,

↙ - INDICATES UP TO AND INCLUDING THAT SERIAL NUMBER

435 / 535



OIL FILTER ASSEMBLY



ENGINE

435 / 535

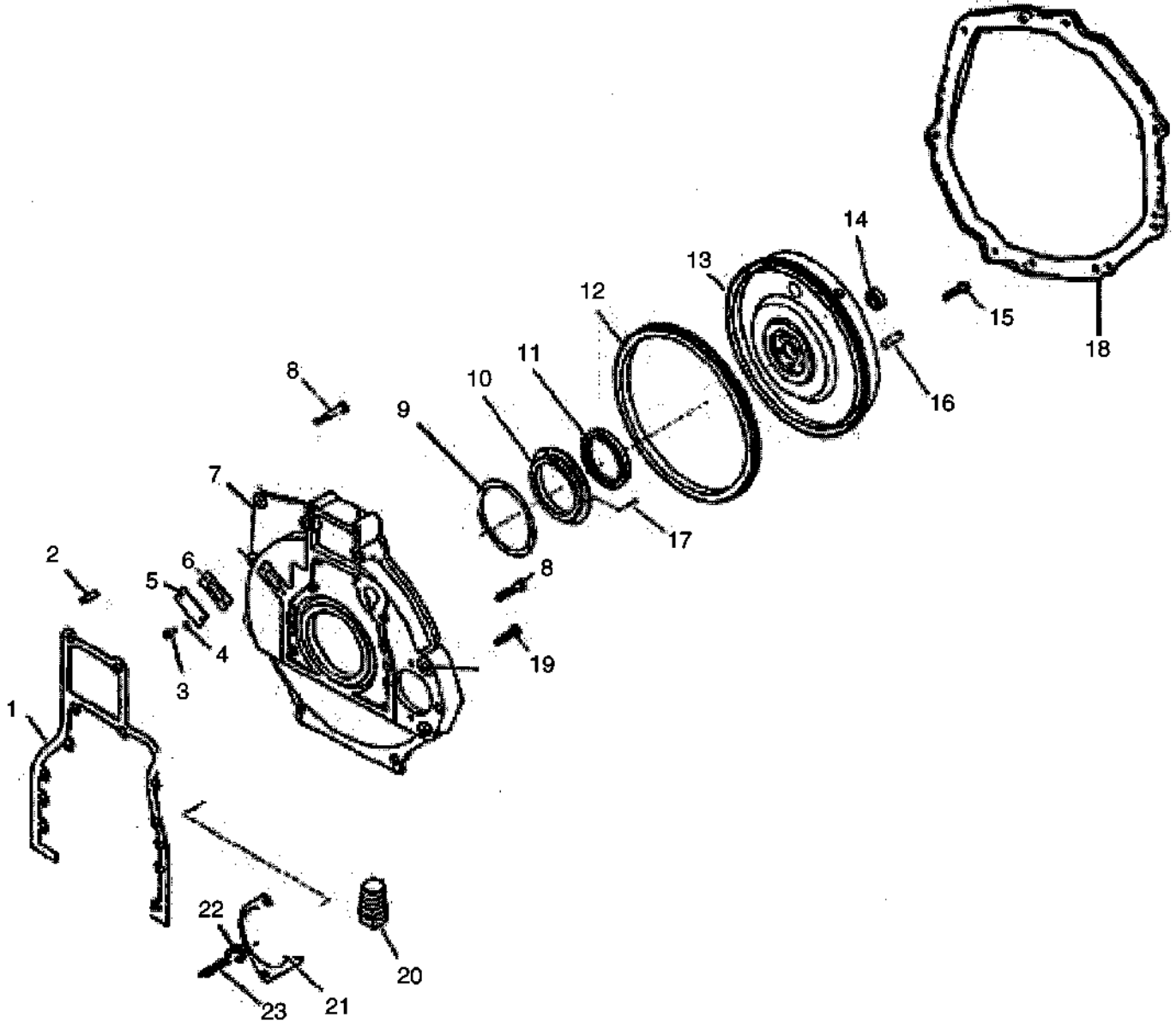
<i>ITEM No</i>	<i>PART No.</i>	<i>DESCRIPTION</i>	<i>VENDOR No.</i>	<i>QUANTITY</i>	
				435	535
1	ESL10083	Oil Filter Assembly	D10017600	1	1
2	ESL14551	Gasket	D10009860	1	1
3	ESL14552	Bracket Oil Filter	D10039120	1	1
4	ESL11400	Switch Assembly Oil Pressure	D10026550	1	1
5	ESL10082	Insert Oil Filter Mounting Bolt	D10010260	1	1

OIL FILTER ASSEMBLY

⊖ - SERIAL NUMBER BREAK ,

↙ - INDICATES UP TO AND INCLUDING THAT SERIAL NUMBER

435 / 535



ADAPTER PLATE & FLYWHEEL

1:21

☺ - SERIAL NUMBER BREAK, ↙ - INDICATES UP TO AND INCLUDING THAT SERIAL NUMBER

435 / 535

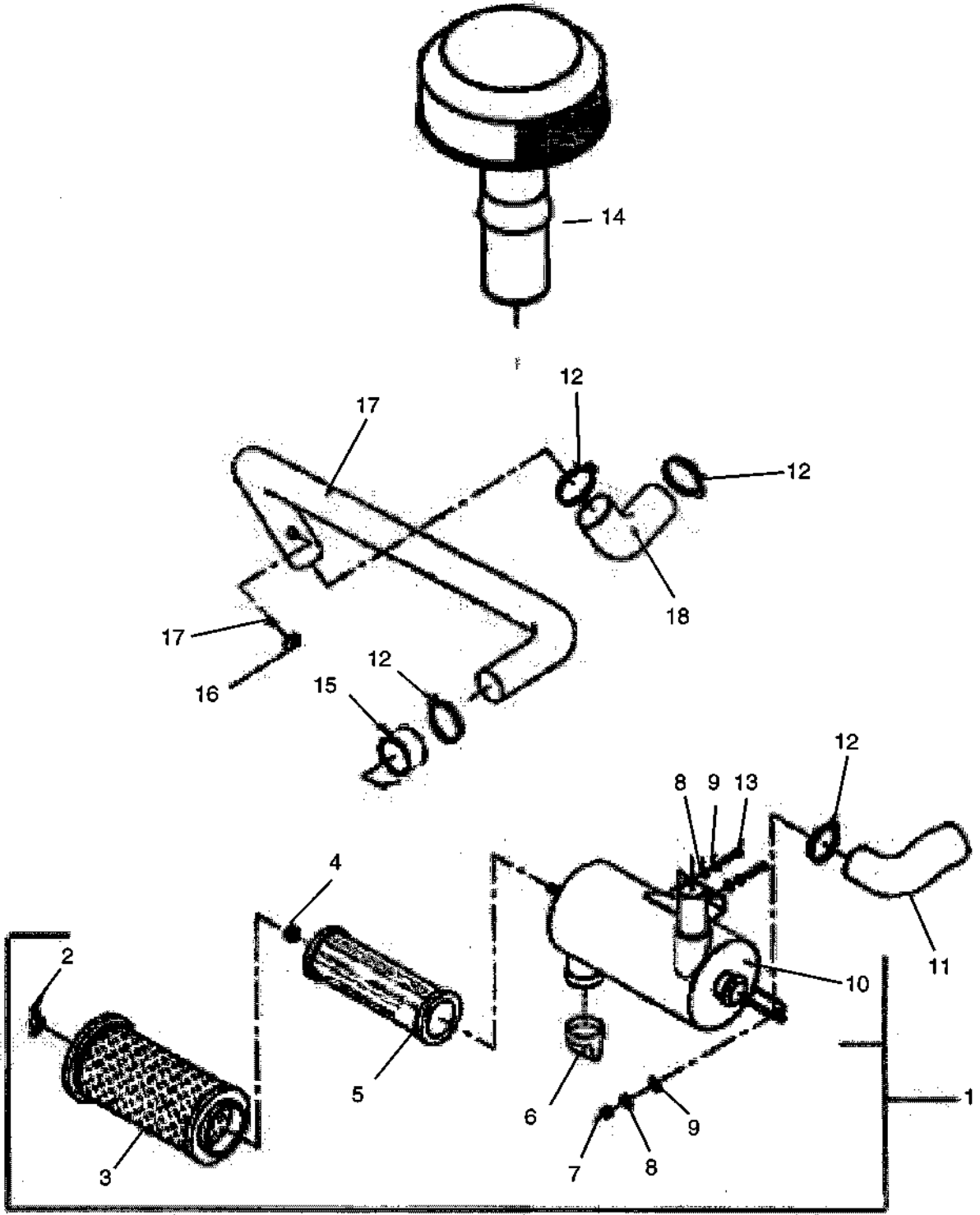
ITEM No	PART No.	DESCRIPTION	VENDOR No.	QUANTITY	
				435	535
1	ESL14353	Gasket, Flywheel Housing	D10009170	1	1
2	ESL14354	Dowel	D10009830	1	1
3	ESL14355	Screw, Hex (M6x15-8.8)	D82500220	2	2
4	N630172S8	Washer, Lock (M6)	N630172S36	2	2
5	ESL14356	Cover Plate Flywheel Access	D10035890	1	1
6	ESL14357	Gasket, Cover Plate Flywheel Access	D10035880	1	1
7	ESL14358	Adpter Plate M/C	D10035980	1	1
8	ESL14359	Bolt (M12x45-10.9)	D10007150	3	3
9	ESL14360	Gasket, Seal Carrier	D10009140	1	1
10	ESL14553	Seal Carrier	D10009130	1	1
11	ESL14361	Oil Seal (Sealing Ring)	D10033790	1	1
-	ESL14362	Oil Seal (Viton)	D10009120	1	1
12	ESL15477	Gear Ring, Fly Wheel	D10065720	1	1
13	ESL15478	Fly Wheel Assembly	D10112030	1	1
14	ESL14365	Bearing, Clutch Pilot	D10009930	1	1
15	ESL14366	Bolt (Fly Wheel Mounting to Crank Shaft)	D10009920	6	6
16	ESL15479	Positioning Dowel	D87500080	1	1
17	N605515S8	Bolt, Seal Carrier (M6x12)	-	6	6
18	ESL10080	Gasket Adapter Plate to Transmission Housing	D10012350	1	1
19	ESL14585	Screw (M12x35-10.9)	D10008440	8	8
20	ESL14369	Taper Plug	D10007370	1	1
21	ESL14370	Gasket Starter Motor	D10034850	1	1
22	34807S8	Washer (3/8)	D86000010	3	3
23	304722S8	Bolt (3/8)	D81000730	3	3

ADAPTER PLATE & FLYWHEEL

Notes

AIR INTAKE
&
EXHAUST SYSTEM

435 / 535



AIR CLEANER

2:1

⊗ - SERIAL NUMBER BREAK, ↙ - INDICATES UP TO AND INCLUDING THAT SERIAL NUMBER



AIR INTAKE & EXHAUST SYSTEM

435 / 535

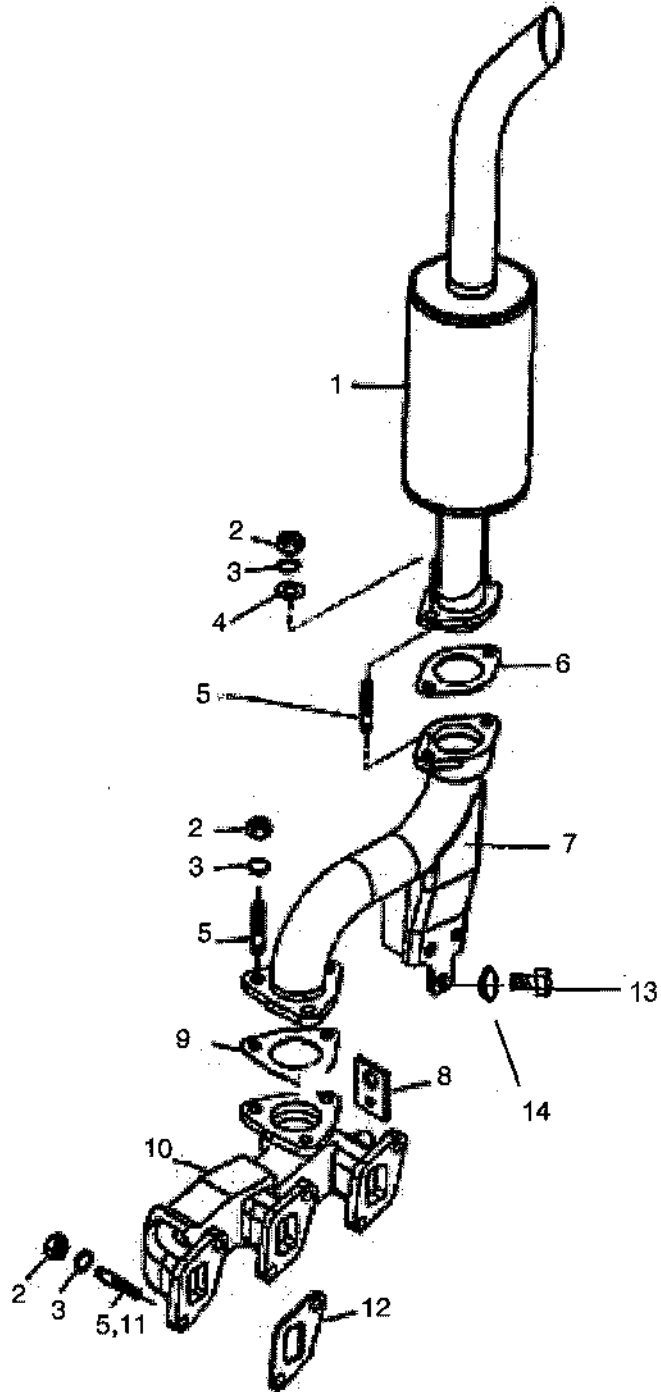
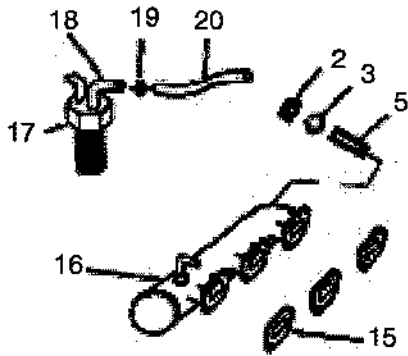
ITEM No	PART No.	DESCRIPTION	VENDOR No.	QUANTITY
				435 535
1	ESL10232	Air Cleaner Assembly, Dry (Includes Items 2-10)	D10026730	1 1
2	ESL11836	Wing Nut	1190105AA	1 1
3	ESL10221	Filter Element, Primary	D10093670	1 1
4	N605542S8	Nut	-	1 1
5	ESL10222	Filter Element, Safety (Inner)	D10102340	1 1
6	ESL10229	Bleed Valve	D10115740	1 1
7	N620042S8	Nut	D83500210	2 2
8	N630174S8	Washer, Lock (M10)	D86500090	4 4
9	ESL11956	Washer, Flat (M10x21x2.25)	D85500140	4 4
10	-	Housing, Dry Air Cleaner (NSS)	-	1 1
11	ESL11837	Hose, Air Cleaner Outlet	D10026720	1 1
12	ESL10227	Clamp Assembly	D10017630	4 4
13	304650S8	Bolt, Hex Head (3/8-16x0.75)	D81000150	2 2
14	ESL12070	Cap & Extension Assembly	D10026740	1 1
15	ESL10231	Grommet	D10026760	1 1
16	ESL12617	Indicator	D10026560	1 1
17	ESL14373	Tube Assembly - Dry Air Cleaner Outlet	D10035500	1 1
18	ESL14374	Hose, Air Cleaner Outlet, Lower	D10035490	1 1

AIR CLEANER

Ⓢ - SERIAL NUMBER BREAK ,

✓ - INDICATES UP TO AND INCLUDING THAT SERIAL NUMBER

435 / 535



INTAKE MANIFOLD & EXHAUST SYSTEM

435 / 535

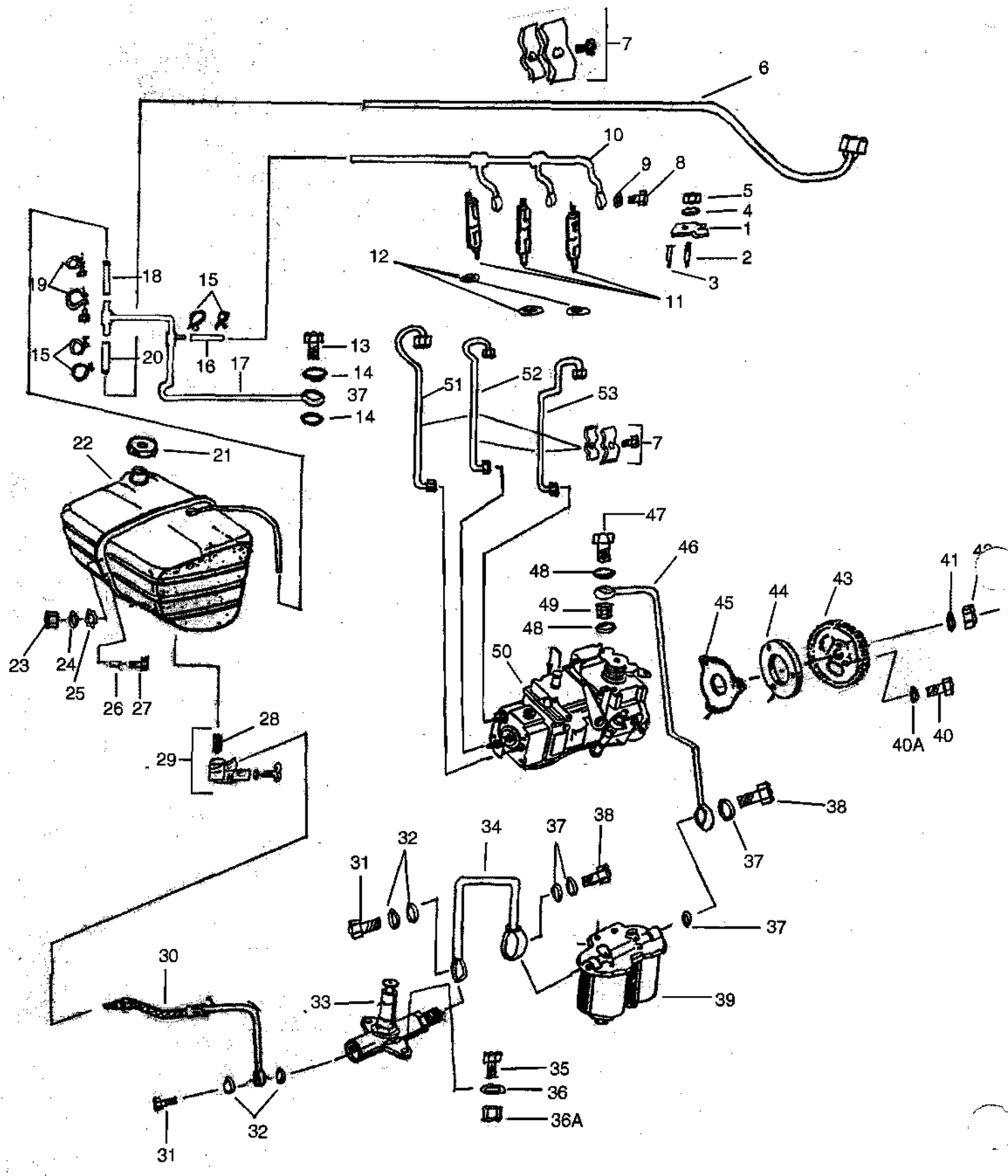
ITEM No	PART No.	DESCRIPTION	VENDOR No.	QUANTITY
				435 535
1	ESL14377	Muffler Assembly (Vertical)	D10035260	1 1
2	ESL14378	Nut, Hex (M10)	D83500210	17 17
3	N630174S8	Washer, Lock (M10)	D86500090	17 17
4	N630069S8	Washer, Flat (M10)	D85500140	2 2
5	ESL14385	Stud	D84500020	16 16
6	ESL14380	Gasket Silencer	D10034700	1 1
7	ESL14381	Pipe Assembly Silencer Inlet Flanged	D10035720	1 1
8	ESL14383	Adaptor for Lifting Hook	D10010070	3 3
9	ESL10245	Gasket, Elbow	D10069610	1 1
10	ESL14384	Exhaust Manifold	D10035710	1 1
11	ESL14386	Stud (M10)	-	1 1
12	ESL14387	Gasket, Exhaust Manifold	D10008650	3 3
13	304650-S36	Bolt (3/8-16x0.75)	D81000150	3 3
14	44726-S36	Washer Flat (3/8)	D85000010	3 3
15	ESL14554	Gasket, Intake Manifold	D10008670	3 3
16	ESL14388	Intake Manifold	D10081330	1 1
17	TX12346	Thermostart Assembly	D10081330	1 1
18	ESL15402	Tube Thermostart	D10109560	1 1
19	ESL14960	Clamp, Spring Band	D10088780	4 4
20	ESL15585	Tube Thermostart	D10035590	1 1

INTAKE MANIFOLD & EXHAUST SYSTEM

Notes

**FUEL SYSTEM
&
THROTTLE LINKAGES**

435 / 535



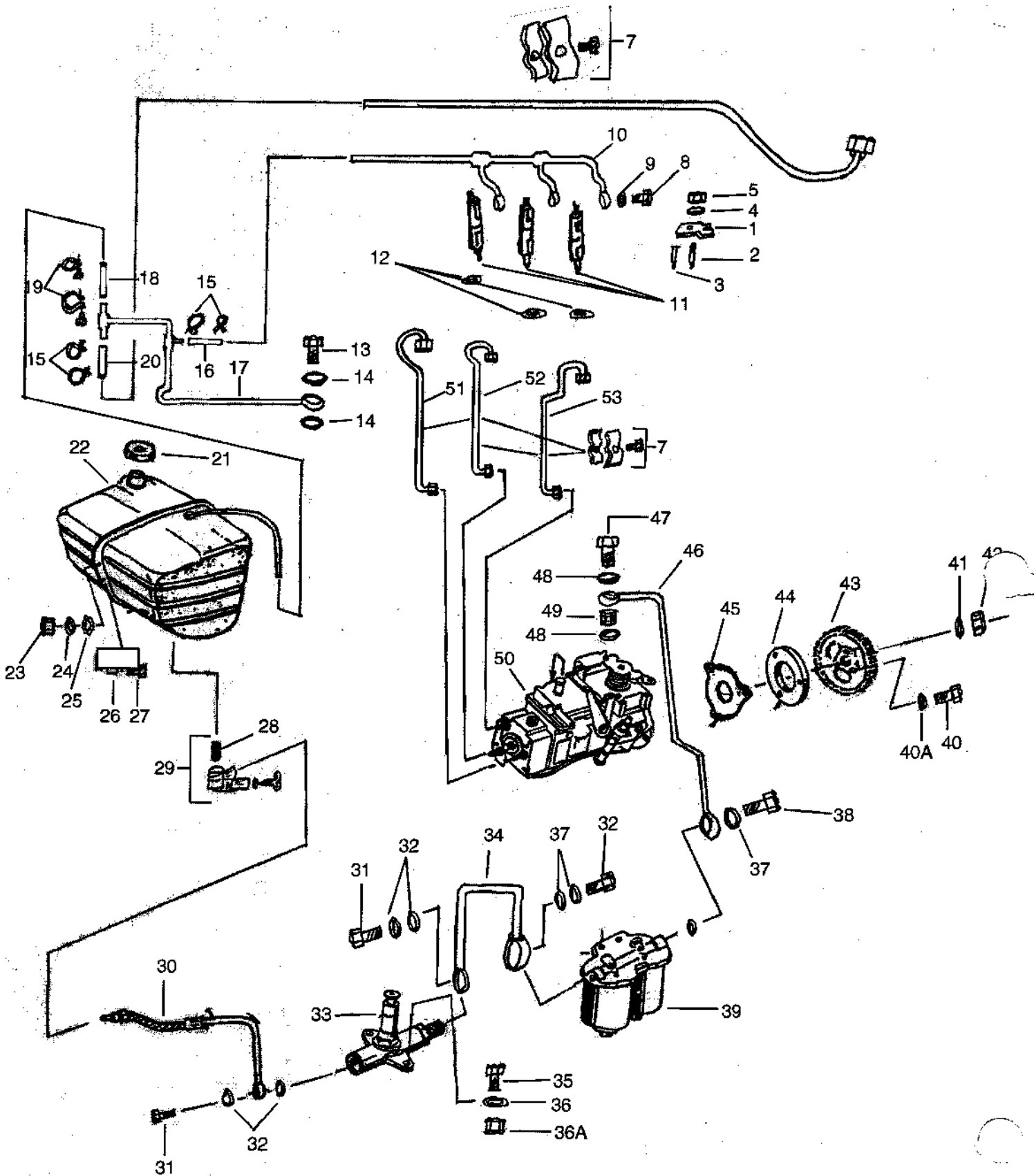
FUEL SYSTEM

435 / 535

ITEM No	PART No.	DESCRIPTION	VENDOR No.	QUANTITY	
				435	535
1	ESL15586	Clamp, Injector Holder	D10022030	3	3
2	ESL14277	Stud, Injector Holder	D10039010	3	3
3	ESL14275	Pin, Injector Holder	D10022020	3	3
4	ESL14276	Washer, Injector Clamp (8.5x17)	D10022040	3	3
5	ESL15469	Nut, injector Holder (M8)	D83500060	3	3
6	ESL15402	Tube Assembly, Thermostart	D10109560	1	1
7	ESL15587	Clamp Assembly, Fuel Injection Tube	D10008850	4	4
8	ESL14591	Banjo Bolt (M6)	9431033422	3	3
9	ESL14592	Washer Sealing (M6)	2916710602	6	6
10	ESL15517	Tube, FIP Leak-off	D10109550	1	1
11	ESL15481	Injector Assembly	D10108590	3	3
12	ESL14394	Copper Washer, Injector	T77.07.005.0	3	3
13	ESL11761	Bolt, Pipe (M12x1.5x23.5)	D10017500	1	1
14	ESL15202	Copper, Washer (14.2x19.9)	D10012580	2	2
15	ESL11346	Clamp, Spring Wire	D10018180	4	4
16	ESL14392	Hose, FIP Leak-off	D10047620	1	1
17	ESL15401	Tube, FIP to Fuel Tank Return	D10109540	1	1
18	ESL15588	Connector Hose, Fuel Return	D10026190	1	1
19	ESL14810	Clamp Assembly, Fuel Tube	D10019100	2	2
20	ESL15585	Rubber Pipe, Thermostart	D10035590	1	1
21	ESL10254	Cap, Fuel Tank	D10019100	1	1
22	ESL10250	Tank Assembly, Fuel	D10021950	1	1
23	33797S8	Nut, Hex (5/16-18)	D83000060	3	3
24	44722S8	Washer, Flat (5/16)	D85000070	3	3
25	34941S36	Washer, External Tooth	D86000110	3	3
26	ESL10256	Spacer, Fuel Tank Mounting	D10018360	1	1
27	304682-S36	Bolt Hex (5/16-18x1.00)	D81000330	3	3
28	ESL15319	Filter, Fuel Tank Strainer	D10063180	1	1
29	ESL10257	Tap & Screen Assembly	D10018590	1	1
30	ESL15574	Pipe, Fuel Tank to Filter	D10109590	1	1
31	ESL11778	Banjo Bolt, (M14x1.5x25.5)	D10012590	2	2
32	ESL10357	Washer Copper (14.2x19.9)	D10012580	4	4
33	ESL10442	Fuel Feed Pump Assembly	D10105280	1	1
34	ESL15408	Tube, Primer to Filter	D10109580	1	1
35	304633-S36	Bolt, Hex (1/4-28x0.62)	D81000390	2	2
36A	33796-S36	Nut (1/4-28), Hex	D81000400	2	2
36	34805S36	Washer, Lock (1/4)	D86000050	2	2
37	ESL14403	Washer, Copper (14.2x18)	D10035020	4	4
38	ESL14405	Banjo Bolt	D10034050	2	2
39	ESL15328	Fuel Filter Assembly	D10108550	1	1
40	N600212S36	Bolt, Hex (M8x1.25x35)	D81500030	3	3

FUEL SYSTEM

435 / 535



FUEL SYSTEM

3:3

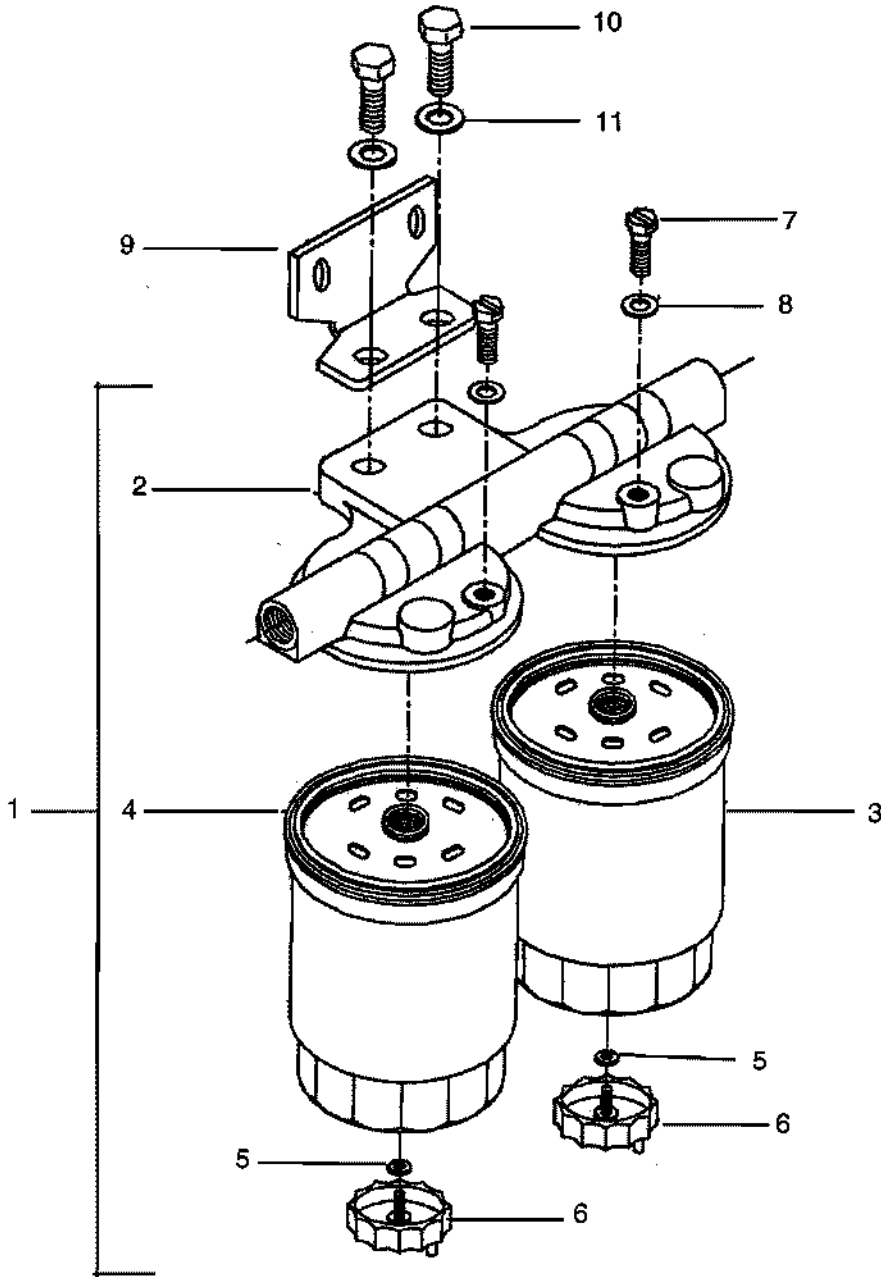
⊖ - SERIAL NUMBER BREAK,

↙ - INDICATES UP TO AND INCLUDING THAT SERIAL NUMBER

435 / 535

ITEM No	PART No.	DESCRIPTION	VENDOR No.	QUANTITY
				435 535
40A	ESL14410	Washer, Flat (8.5x14)	D10009610	3 3
41	ESL15589	Washer, Spring Lock (M12)	D86500020	1 1
42	ESL15590	Nut, FIP Gear (M12x1.75-6.00)	D83500040	1 1
43	ESL15591	Gear, FIP	D10095580	1 1
44	ESL15592	Hub, FIP	D10087160	1 1
45	ESL15323	Gasket, FIP	D10048000	1 1
46	ESL15568	Tube, Filter to FIP	D10109570	1 1
47	ESL11761	Bolt, Pipe (M12x1.5x23.5)	D10017500	1 1
48	ESL15345	Washer, Copper	D10048060	3 3
49	ESL15346	Spacer, FIP	D10048020	1 1
50	ESL15448	Fuel Injection Pump Assembly	D10087170	1 1
51	ESL15593	HP Pipe, 3rd Cylinder	D10095620	1 1
52	ESL15594	HP Pipe, 2nd Cylinder	D10095610	1 1
53	ESL15595	HP Pipe, 1st Cylinder	D10095600	1 1

FUEL SYSTEM



FUEL FILTER ASSEMBLY



FUEL SYSTEM & THROTTLE LINKAGES

435 / 535

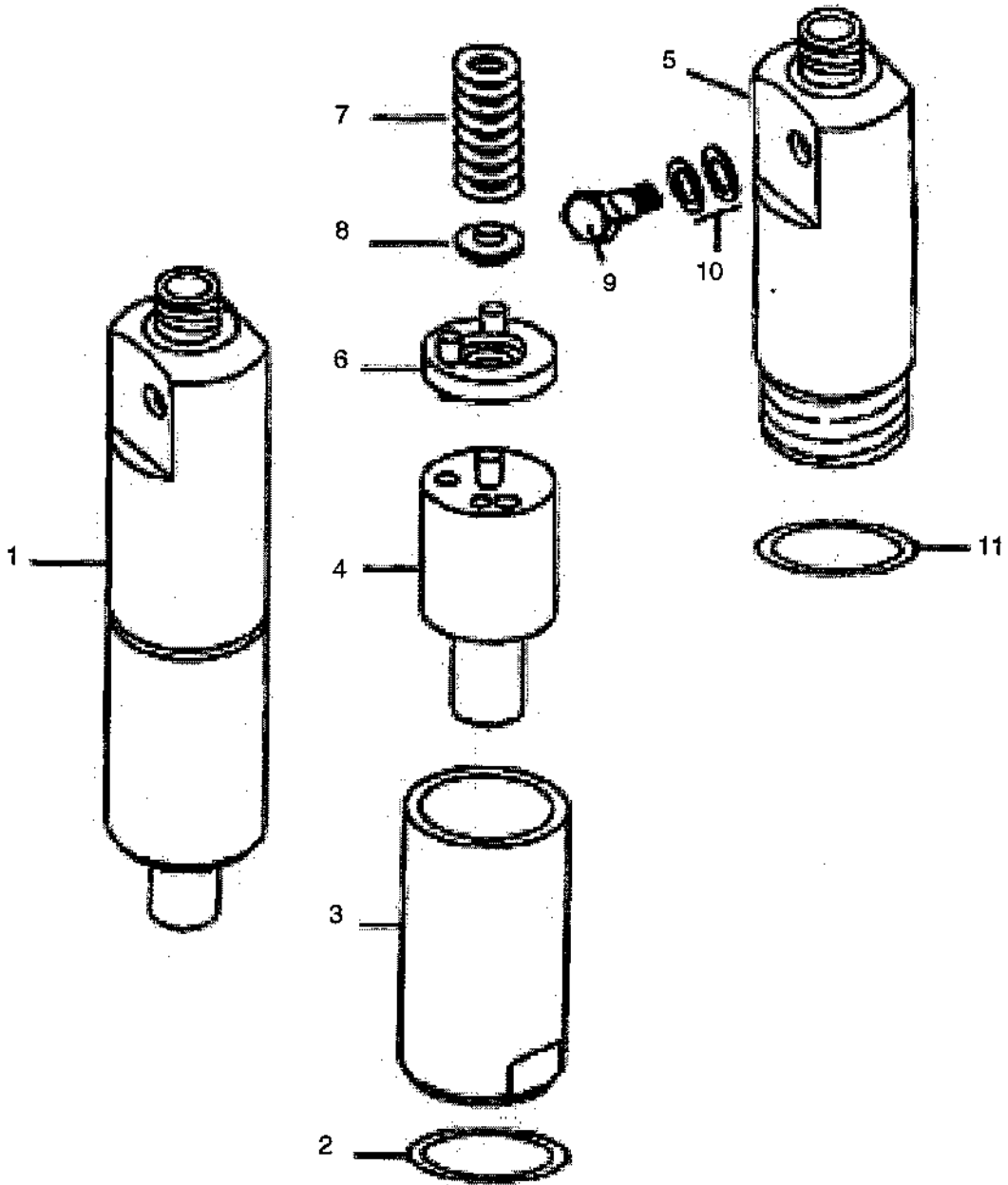
ITEM No	PART No.	DESCRIPTION	VENDOR No.	QUANTITY	
				435	535
1	ESL15328	Fuel Filter Assembly	D10108550	1	1
2	ESL15353	Filter Cover	F002H20323	1	1
3	ESL15357	Exchange Filter (Primary)	F002H20308	1	1
4	ESL15354	Exchange Filter (Secondary)	F002H20306	1	1
5	ESL15355	Sealing Ring	F002H20298	2	2
6	ESL15356	Drain Plug	F002H20297	2	2
7	ESL15358	Air Vent Screw	9411033412	2	2
8	ESL15359	Flat Seal Ring	2916710602	2	2
9	ESL15329	Mounting Bracket, Fuel Filter	D10044850	1	1
10	304666-S36	Bolt, (3/8-16x0.875)	D81000720	2	2
11	44726-S36	Washer, Flat (3/8)	D85000010	2	2

FUEL FILTER ASSEMBLY

⊖ - SERIAL NUMBER BREAK ,

↙ - INDICATES UP TO AND INCLUDING THAT SERIAL NUMBER

435 / 535



INJECTOR ASSEMBLY



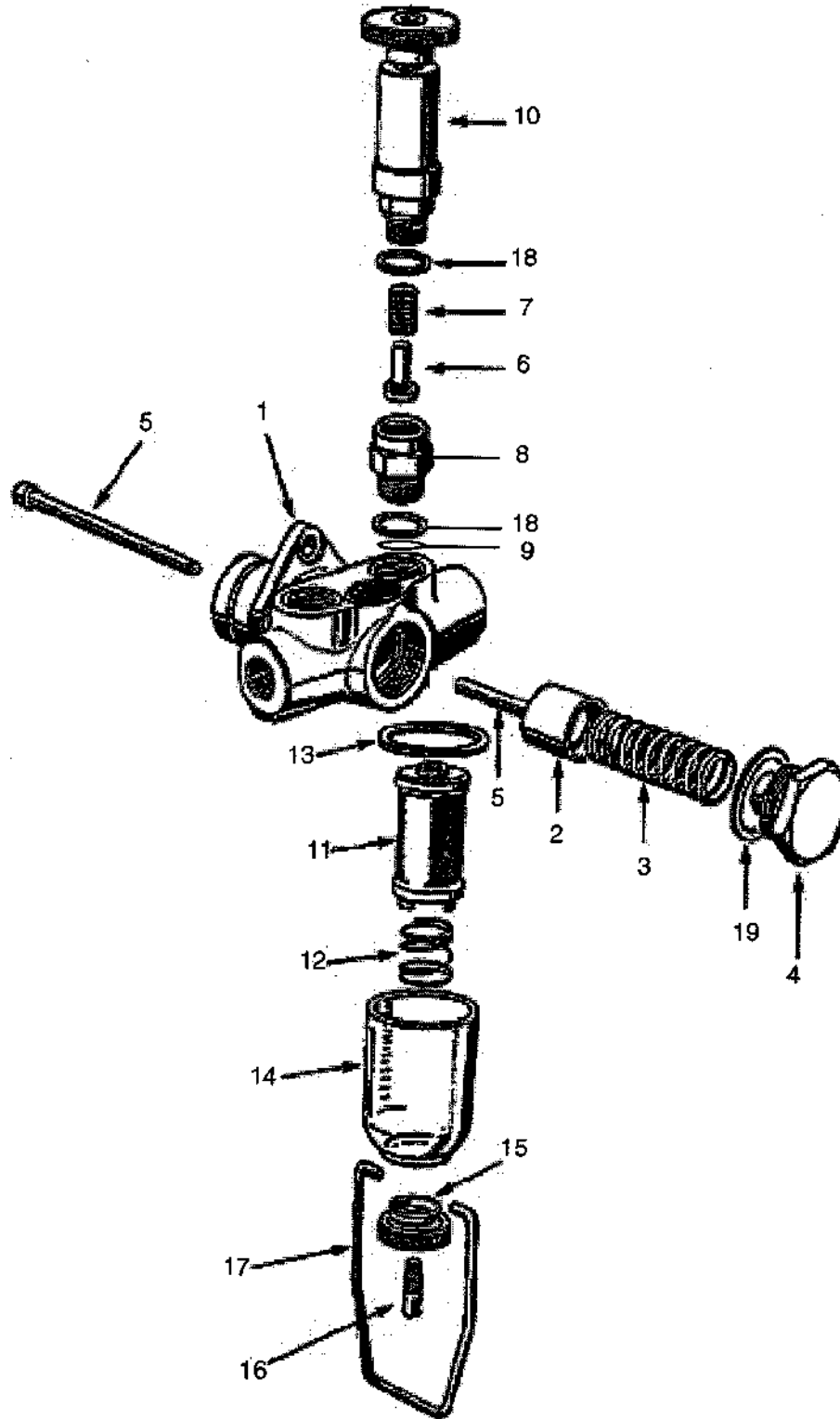
FUEL SYSTEM & THROTTLE LINKAGES

435 / 535

<i>ITEM No</i>	<i>PART No.</i>	<i>DESCRIPTION</i>	<i>VENDOR No.</i>	<i>QUANTITY</i>	
				435	535
1	ESL15481	Injector Assembly	D10108590	3	3
2	ESL15352	Sealing Washer	D10130700	AR	AR
3	ESL15482	Cap Nut, Nozzle	D10129660	3	3
4	ESL15483	Nozzle	D10118780	3	3
5	-	Nozzle Holder (NSS)	-	3	3
6	ESL15484	Pressure Disc	2430134023	3	3
7	ESL15485	Spring	D10130490	3	3
8	ESL15486	Seat Spring	2433124446	3	3
9	ESL14591	Bolt, Banjo (M8x1)	D10117750	3	3
10	ESL14592	Sealing Washer	D10072130	6	6
11	ESL15480	Washer, Adjusting	D10130640	AR	AR

INJECTOR ASSEMBLY

435 / 535

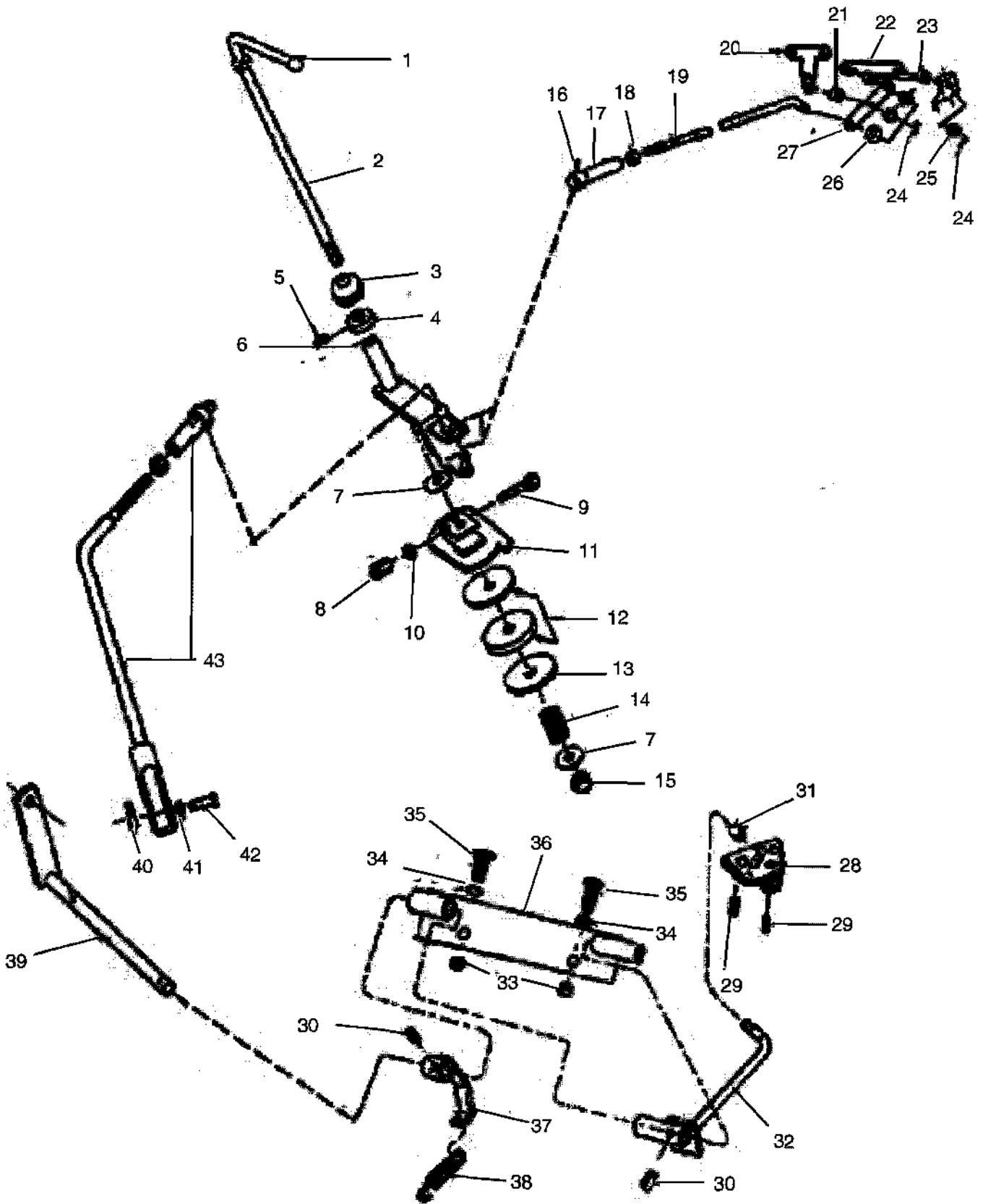


FUEL FEED PUMP & PRE-FILTER

ITEM No	PART No.	DESCRIPTION	VENDOR No.	QUANTITY
-	ESL10442	Fuel Feed Pump Assembly (Includes Items #1-2a)	D10105280 D10130700	1 1
1	-	Housing, Fuel Feed Pump (NSS)	D10129660	1 1
2	-	Pump Plunger (NSS)	D10118780	1 1
3	ESL10426	Spring, Pump Plunger	EXP-10144	1 1
4	ESL10427	Closing Plug	EXP-10145	1 1
5	ESL10428	Pressure Spindle	EXP-10142	1 1
6	ESL10429	Valve	EXP-10152	1 1
7	ESL10430	Spring	EXP-10153	1 1
8	ESL10431	Reducing Nipple	EXP-10154	1 1
9	ESL13406	'O' Ring	D10105330	1 1
10	ESL10432	Hand Primer	EXP-10156	1 1
11	ESL10433	Prefilter Sieve	EXP-10908-A	1 1
12	ESL10434	Spring	EXP-10909-A	1 1
13	ESL10435	Sealing Washer	EXP-10907-A	1 1
14	ESL10436	Prefilter Housing	EXP-10906-A	1 1
15	ESL10437	Clamping Nut	EXP-10911-A	1 1
16	ESL10438	Stud	EXP-10912-A	1 1
17	ESL10439	Clip	EXP-10913-A	1 1
18	ESL10440	Sealing Ring	EXP-10155	2 2
19	ESL10441	Sealing Ring	EXP-10146	1 1

FUEL FEED PUMP & PRE-FILTER

435 / 535



THROTTLE & ACCELERATION CONTROLS

3:10

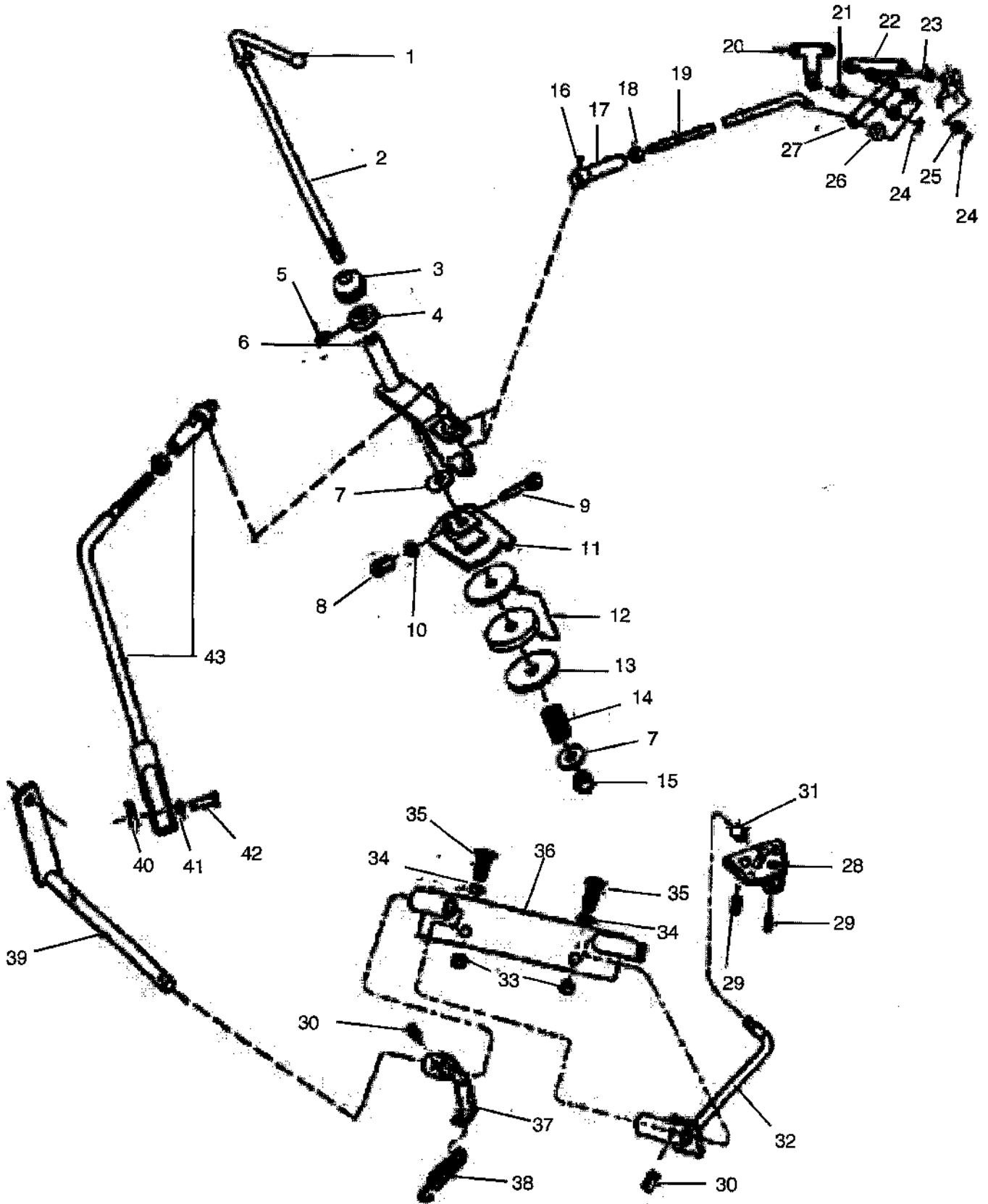
☺ - SERIAL NUMBER BREAK, ✓ - INDICATES UP TO AND INCLUDING THAT SERIAL NUMBER

435 / 535

ITEM No	PART No.	DESCRIPTION	VENDOR No.	QUANTITY	
				435	535
1	ESL12687	Knob, Hand Throttle	D10042450	1	1
2	ESL14957	Lever Assembly, Hand Throttle (Includes Item #1)	D10104660	1	1
3	ESL15376	Grommet	D10026540	1	1
4	ESL10490	Stop, Throttle Control Lever	D10017970	1	1
5	N605500S8	Bolt, Hex Head (M5x0.8-8)	D81500300	1	1
6	ESL10455	Arm Assembly, Throttle Control	D10019090	1	1
7	44728S8	Washer, Flat (3/8)	D85000050	2	2
8	ESL10455	Nut, Hex (5/16-24)	D10019410	1	1
9	379586S8	Bolt (5/16-24*1.25)	D81000670	1	1
10	352321S8	Washer, Flat (5/16)	D10018690	1	1
11	ESL10461	Plate Assembly, Throttle Control	D10017990	1	1
12	ESL10457	Disc, Throttle Control Friction	D10018170	2	2
13	ESL10460	Plate, Throttle Lever Friction	D10021590	1	1
14	ESL10452	Spring, Main Control Lever	D10016480	1	1
15	377360S8	Nut, Thick Lock (3/8-24)	D10016890	1	1
16	ESL10463	Clip, Throttle Control	D10105110	1	1
17	ESL10462	Connector, Throttle Control Rod	D10105120	1	1
18	33796S8	Nut, Hex (1/4-28)	D81000400	1	1
19	ESL14433	Rod Assembly, Throttle Control (Includes Items 16-18)	D10112020	1	1
20	ESL14434	Bracket Assembly, Fuel Shut Off	22-91760-AA	1	1
21	ESL10476	Spacer	D10060800	1	1
22	ESL10473	Plate Assembly, Throttle Control	85NH-9N656-CA	1	1
23	ESL10474	Spacer	D10060780	2	2
24	ESL12688	Pin, Cotter (1/16x0.50)	D10000640	4	4
25	ESL10475	Spacer	D10000790	3	3
26	44719S8	Washer, Flat (1/4)	D85000030	1	1
27	ESL10477	Plate	D10060190	1	1
28	ESL10482	Pad & Hub Assembly	D10012940	1	1
29	305086S2	Pin, Spring (3/16x1.25)	D87000060	2	2
30	305061S2	Pin, Spring (3/16x0.8125)	D87000050	2	2
31	ESL10483	Spring, Pad Return	D10012770	1	1
32	ESL12079	Pedal Assembly Foot Accelerator	D10012920	1	1
33	33796S8	Nut, Hex (1/4-28))	D81000400	2	2
34	44719S8	Washer, Flat (1/4)	D85000030	2	2
35	304633S8	Bolt, Hex Head (1/4-28x0.62)	D81000390	2	2
36	ESL10485	Bracket, Acceleration Pedal	D10012760	1	1
37	ESL10479	Bracket & Hub Assembly	D10012780	1	1
38	ESL10480	Spring, Pedal Foot Accelerator	D10012750	1	1

THROTTLE & ACCELERATION CONTROLS

435 / 535



THROTTLE & ACCELERATION CONTROLS



FUEL SYSTEM & THROTTLE LINKAGES

435 / 535

<i>ITEM No</i>	<i>PART No.</i>	<i>DESCRIPTION</i>	<i>VENDOR No.</i>	<i>QUANTITY</i>
				435 535
39	ESL10487	Arm Assembly Acceleration Control	D10012910	1 1
40	ESL12679	Pin Cotter (3/32x0.75)	D10013450	1 1
41	44726S8	Washer, Flat (3/8)	D85000010	1 1
42	76023S8	Pin, Clevis (3/8x13/16)	D10017560	1 1
43	ESL10489	Rod Assembly, Acceleration Control	D10012930	1 1
44	ESL12361	Bracket, Acceleration Return Spring	D10019400	1 1
45	ESL10480	Spring	D10012750	1 1

THROTTLE & ACCELERATION CONTROLS

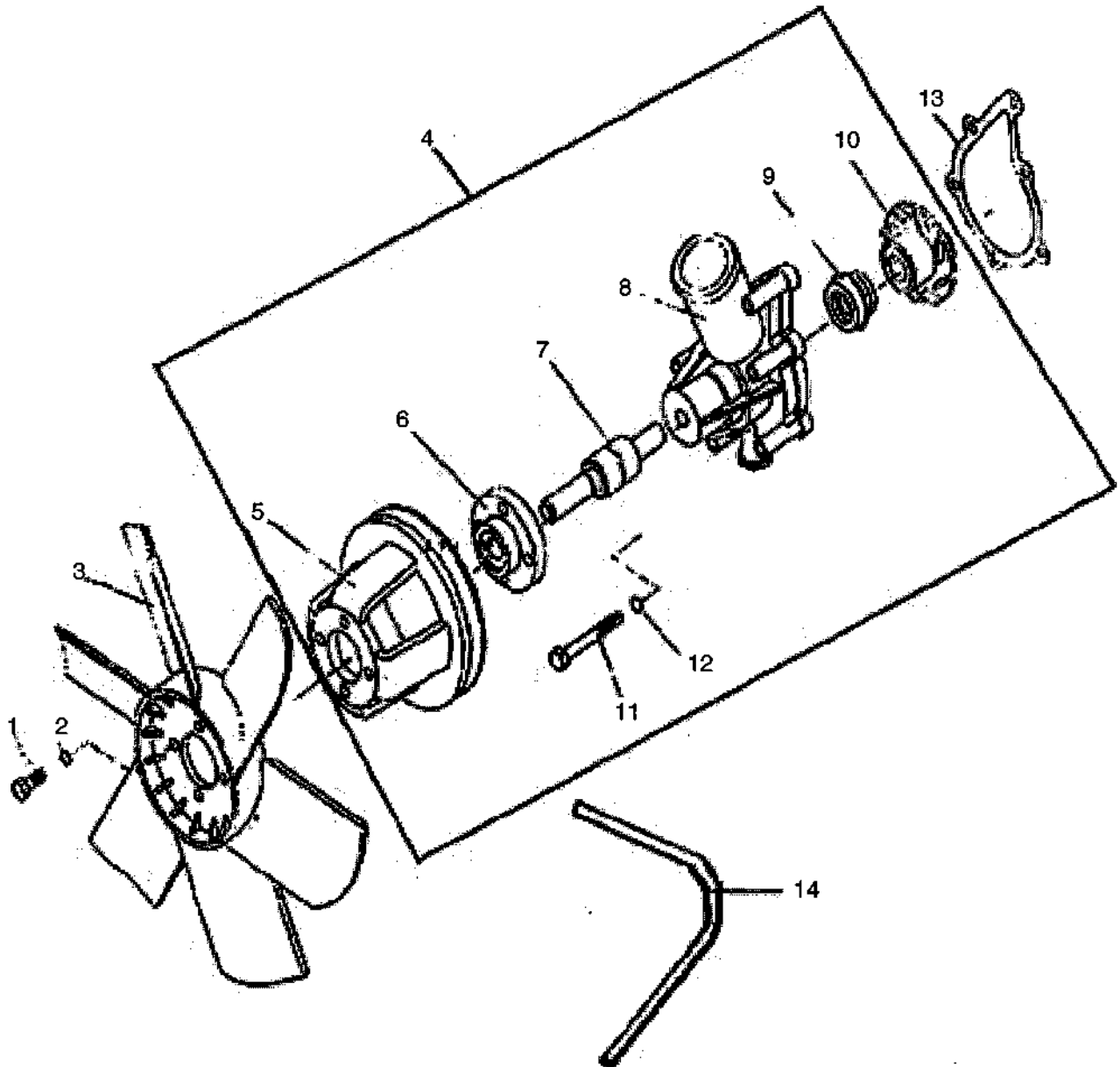
⊖ - SERIAL NUMBER BREAK ,

✓ - INDICATES UP TO AND INCLUDING THAT SERIAL NUMBER

Notes

COOLING SYSTEM

435 / 535



WATER PUMP

4:1

⊕ - SERIAL NUMBER BREAK ,

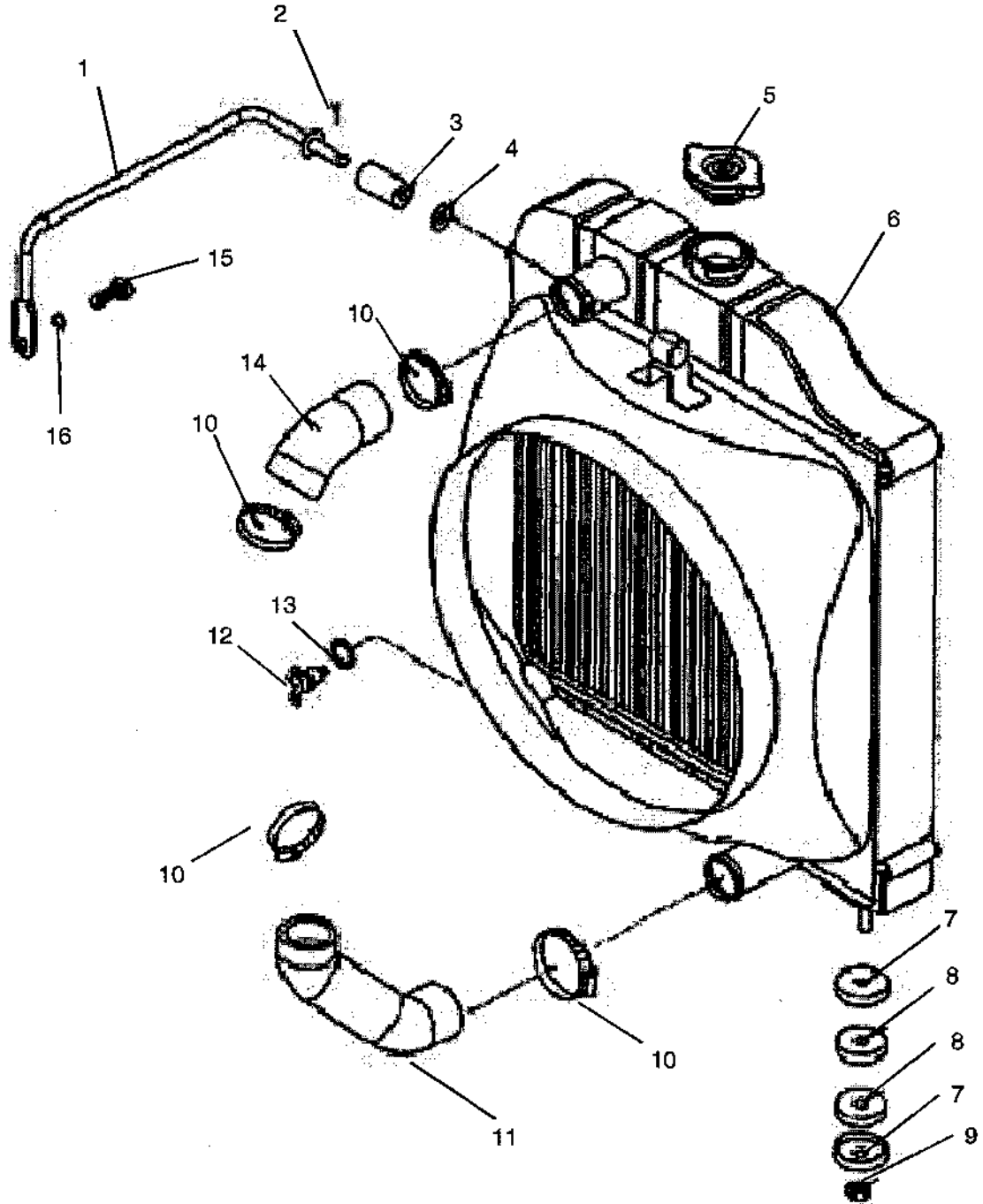
↙ - INDICATES UP TO AND INCLUDING THAT SERIAL NUMBER

435 / 535

ITEM No	PART No.	DESCRIPTION	VENDOR No.	QUANTITY	
				435	535
1	N605531S8	Screw (M8x20)	D81500660	4	4
2	34806S8	Washer, Lock (M8)	D86000040	4	4
3	ESL14435	Fan Radiator (Plastic)	D10030480	1	1
4	ESL14436	Water Pump Assembly	D10008930	1	1
5	ESL14437	Water Pump Pulley	D10053510	1	1
6	ESL14438	Hub	D10053500	1	1
7	ESL14439	Integral Shaft Bearing	D10051450	1	1
8	-	Water Pump Body (NSS)		1	1
9	ESL14440	Water Pump Seal Assembly	D10055220	1	1
10	ESL14441	Impeller	D10051460	1	1
11	N605534S8	Boit	D81500030	4	4
12	N630173S8	Spring Washer (W2.08)	N630173S36	5	5
13	ESL14442	Gasket, Water Pump	D10008920	1	1
14	ESL14443	Drive Belt, Rubber	D10034620	1	1

WATER PUMP

435 / 535



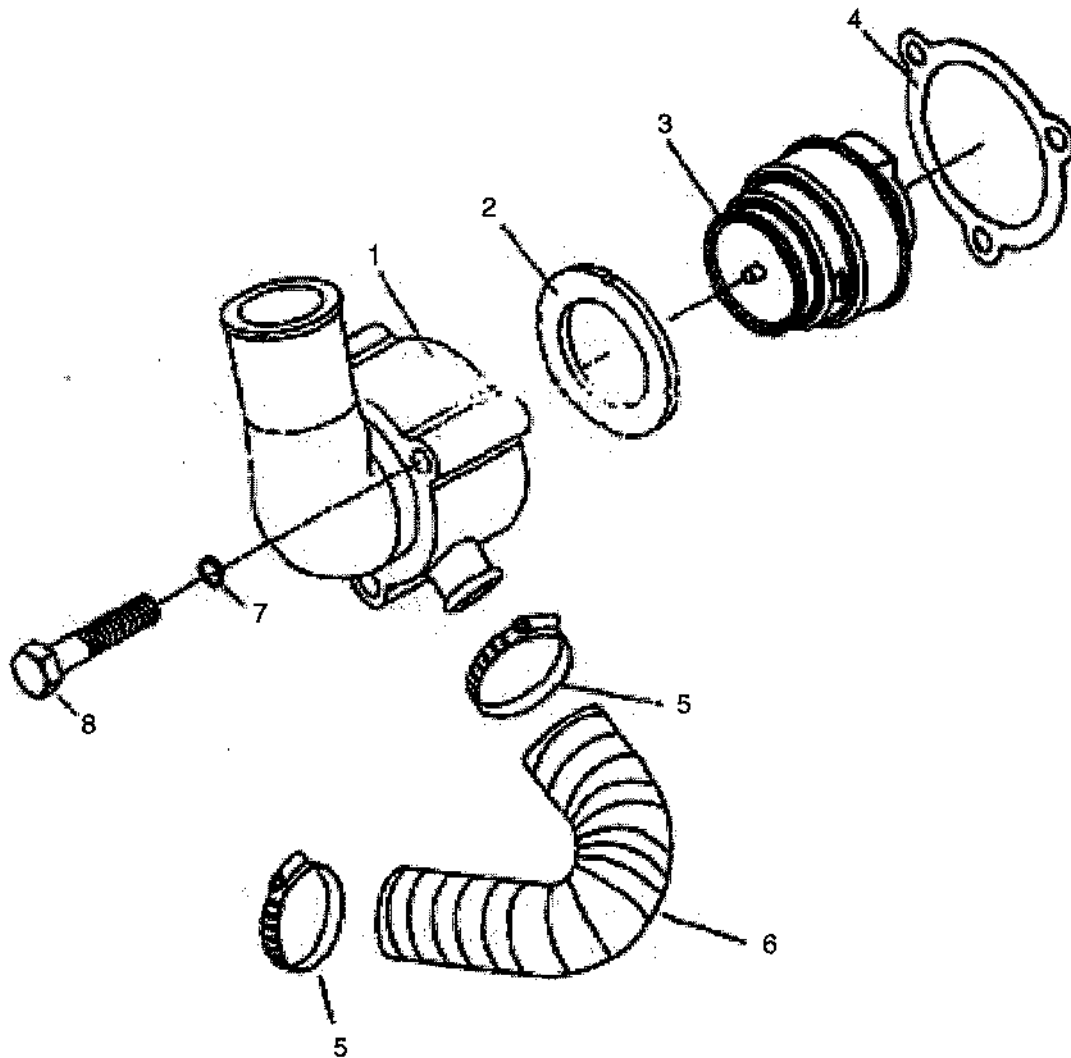
RADIATOR

435 / 535

<i>ITEM No</i>	<i>PART No.</i>	<i>DESCRIPTION</i>	<i>VENDOR No.</i>	<i>QUANTITY</i>	
				435	535
1	ESL14444	Radiator Support	D10035420	1	1
2	ESL14445	Split Pin	D10034160	1	1
3	ESL14446	Rubber Bush	D10034140	1	1
4	ESL14447	Washer, Radiator Support	D10034150	1	1
5	ESL14556	Filler Cap	D10105090	1	1
6	ESL14448	Radiator Assembly	D10034080	1	1
7	ESL14449	Radiator Mounting Cup	D10034110	4	4
8	ESL14450	Rubber Pad	D10034120	4	4
9	ESL14557	Nylock Nut (M10)	D10034130	2	2
10	ESL10495	Clamp Hose	D10017540	4	4
11	ESL14454	Hose, Radiator to Pump	D10035400	1	1
12	ESL14455	Drain Cock	D10105410	1	1
13	ESL14558	Washer	D10105440	1	1
14	ESL14456	Hose, Upper	D10035410	1	1
15	ESL14457	Screw (M10x21)	D10035900	1	1
16	N630174S8	Spring Washer (M10)	D86500090	1	1
17	ESL14458	Radiator Sealing Kit (NI)	D10034170	1	1

RADIATOR

435 / 535



THERMOSTAT

435 / 535

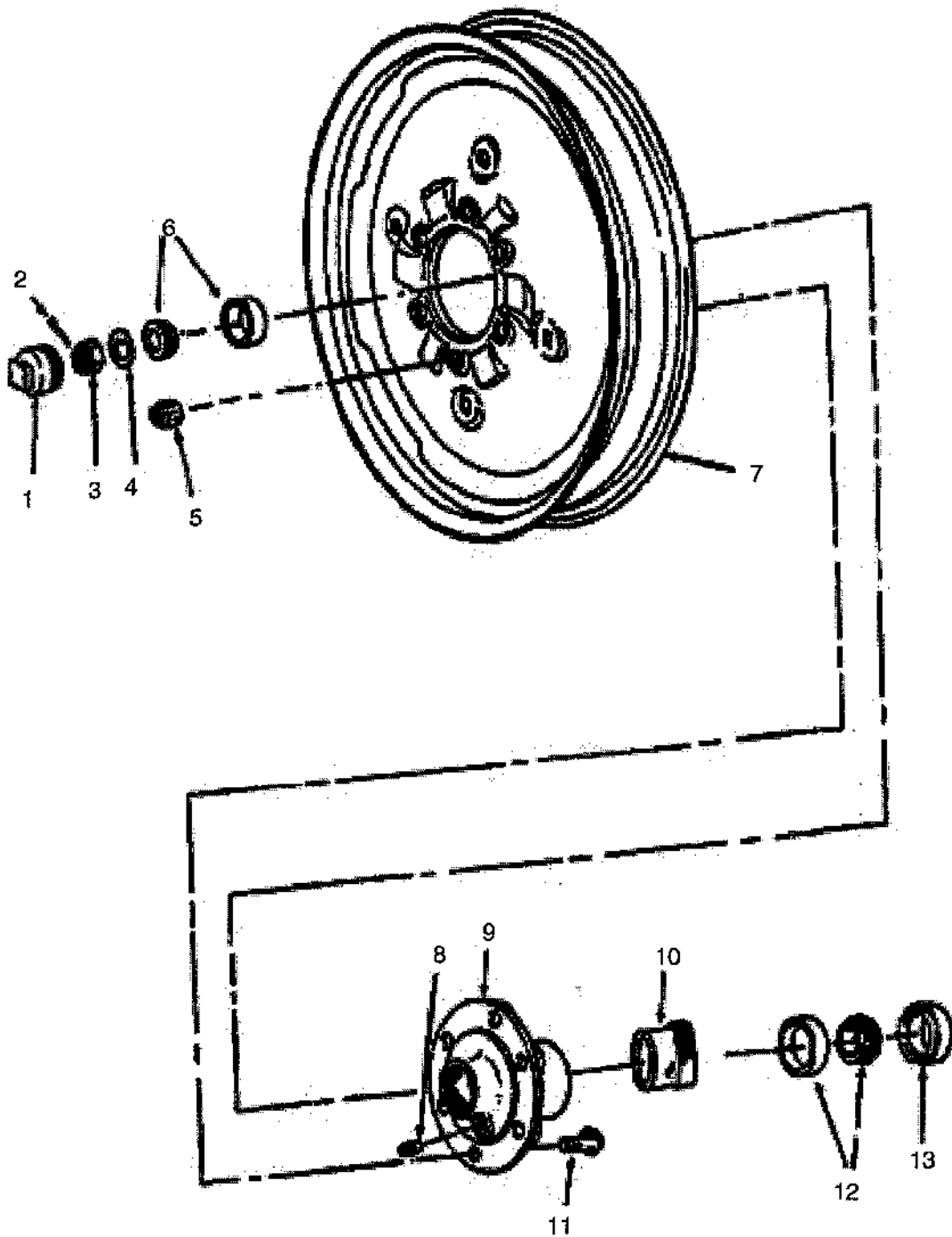
ITEM No	PART No.	DESCRIPTION	VENDOR No.	QUANTITY	
				435	535
1	ESL14459	Thermostat Housing	D10035800	1	1
2	ESL14460	Sealing Ring	D10035830	1	1
3	ESL14461	Thermostat Unit	D10035820	1	1
4	ESL14462	Gasket, Thermostat Housing	D10035810	1	1
5	ESL14463	Hose Clamp	D10035860	2	2
6	ESL14464	Hose, W/P to Thermostat Housing	D10035850	1	1
7	N630173S8	Spring Washer	N630173S36	3	3
8	ESL14465	Bolt (M8x55-6.6)	D10035840	3	3

THERMOSTAT

Notes

***FRONT END
&
STEERING***

435 / 535



FRONT WHEEL ASSEMBLY

5:1

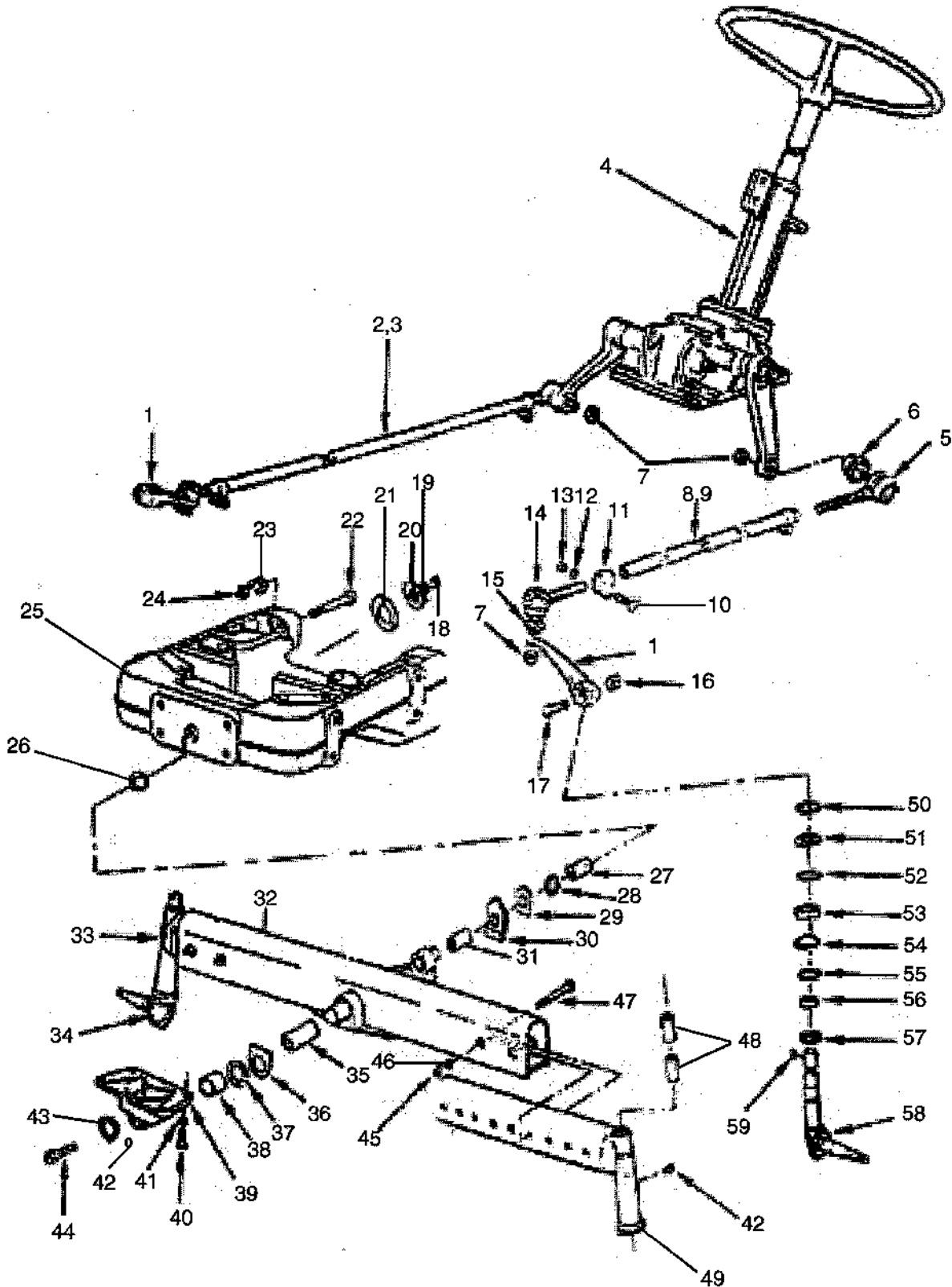
☺ - SERIAL NUMBER BREAK, ↙ - INDICATES UP TO AND INCLUDING THAT SERIAL NUMBER

435 / 535

ITEM No	PART No.	DESCRIPTION	VENDOR No.	QUANTITY	
				435	535
1	ESL10526	Cap, Front Wheel Hub Grease	D10012960	2	2
2	72090S8	Pin, Cotter (5/32"-1.75)	D88400080	2	2
3	ESL12412	Nut, Slotted Hex (1"- 12)	D10012980	2	2
4	ESL11860	Washer, Hub Retainer	D10012970	2	2
5	ESL11793	Nut, Front Wheel Bolt	D10018200	12	12
6	ESL10524	Bearing Assembly, Front Wheel Outer	D10012100	2	2
7	ESL12226	Wheel Assembly, Front (6.00x16 Tires)	D10019230	2	2
8	ESL10542	Grease Nipple (1/2-27)	D92000020	2	2
9	ESL10528	Hub, Front Wheel	D10012110	2	2
10	ESL10529	Bush, Front Wheel Hub	D10012060	2	2
11	ESL11747	Bolt, Front Wheel Hub	D10012000	12	12
12	ESL10522	Bearing Assembly, Front Wheel Inner	D10013290	2	2
13	ESL10521	Seal Assembly, Front Wheel Hub Dust	D10012700	2	2

FRONT WHEEL ASSEMBLY

435 / 535



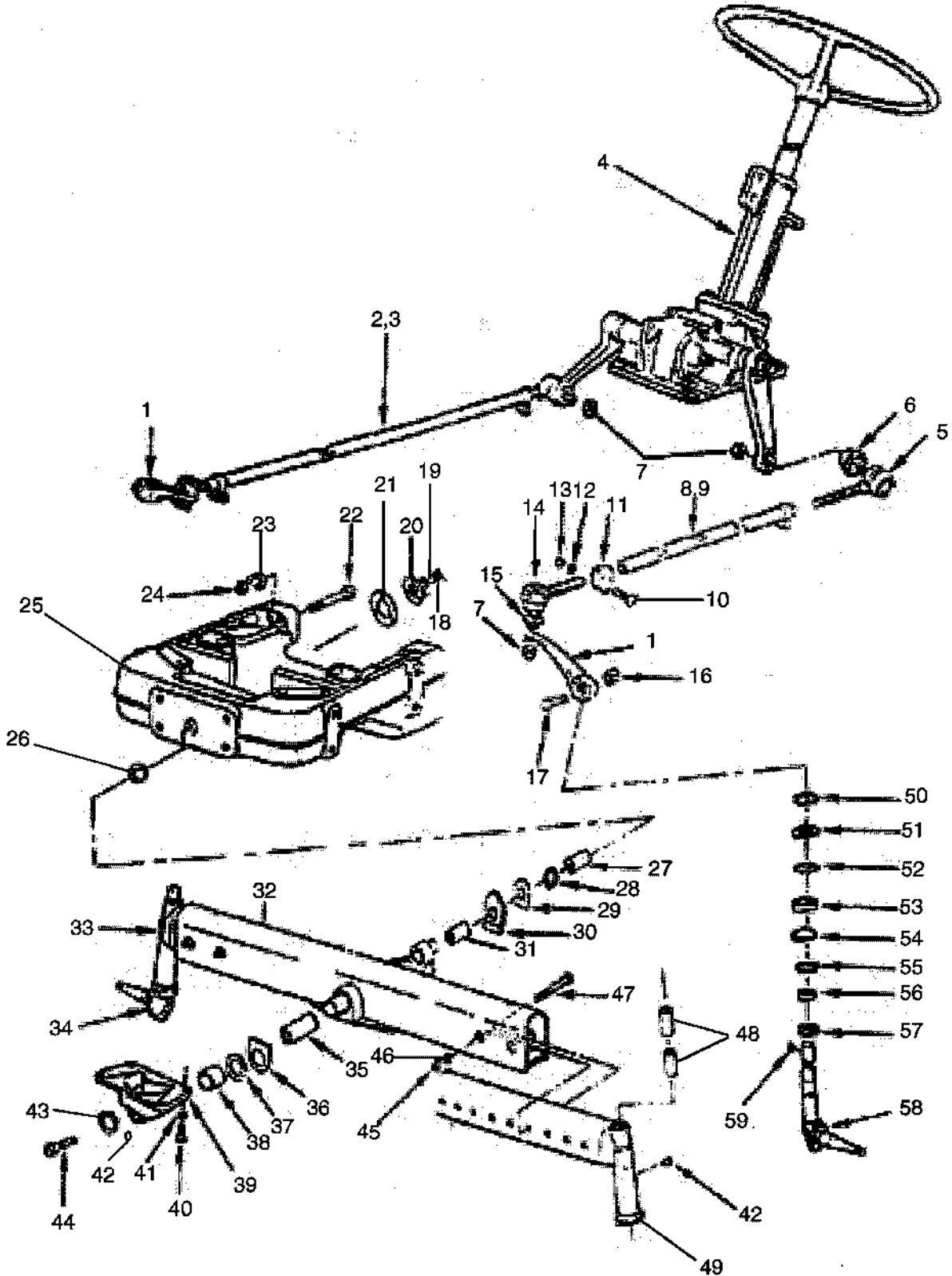
AXLE & STEERING PARTS-MECHANICAL

435 / 535

ITEM No	PART No.	DESCRIPTION	VENDOR No.	QUANTITY
				435 535
1	ESL15048	Arm, Steering Spindle	-	2 -
2	ESL14577	Drag Link Assembly, RH	-	1 -
3	ESL10533	Sleeve RH, Steering Drag Link	-	1 -
4	ESL14580	Steering Gear Assembly	-	1 -
5	ESL10531	End Assembly, Rear Steering Drag Link	-	2 -
6	ESL10532	Cover, Steering Drag Link Rear	-	2 -
7	ESL11862	Nut (1/2*20)	-	4 -
8	ESL14576	Drag Link Assembly, LH	-	1 -
9	ESL10534	Sleeve LH, Steering Drag Link	-	1 -
10	N600212S8	Bolt, Hex Head (M8x1.25x35)	-	4 -
11	ESL10537	Clamp, Steering Drag Link	-	4 -
12	34806S8	Washer, Lock (5/16)	-	4 -
13	N620013S8	Nut, Hex (M8x1.25)	-	4 -
14	ESL10535	End Assembly Front Steering Drag Link	-	2 -
15	ESL10536	Cover Steering Drag Link Front	-	2 -
16	34670S8	Nut, Hex (7/16-14)	-	2 -
17	304862S8	Bolt, Hex Head (7/16-14*2.25)	-	2 -
18	N605515S8	Bolt Hex Head (M6x1-12)	-	3 -
19	N630067S8	Washer, Flat	-	3 -
20	ESL14575	Plate & Nut Assembly, Axle Support	-	1 -
21	ESL14583	Gasket	-	1 -
22	ESL14574	Stud, Front Axle Support	-	4 -
23	ESL14219	Washer, Lock (M20)	-	4 -
24	ESL14220	Nut, Hex (M20x1.5-8)	D10032950	4 -
25	ESL14573	Support, Front Axle	-	1 -
26	ESL10058	Plug Dust Front Cover	D10019450	1 -
27	ESL10553	Bush, Front Axle	-	1 -
28	ESL10550	'O'Seal, Support	-	1 -
29	ESL12413	Washer, Thrust, Front Axle Rear	-	1 -
30	ESL12424	Washer, Front Axle Center Trunion	-	1 -
31	ESL10549	Sleeve, Front Axle Center	-	1 -
32	ESL10538	Axle, Front Center	-	1 -
33	ESL10540	Axle, Front RH	-	1 -
34	ESL12698	Spindle Assembly, Front Wheel RH	-	1 -
35	ESL10551	Sleeve Front Axle Center Trunion	-	1 -
36	ESL11680	Washer, Thrust, Axle Pin	-	1 -
37	ESL10558	Shim, Front Axle Pin (NI)	D10012720	AR -
-	ESL10559	Shim, Front Axle Pin (NI)	D10012730	AR -
-	ESL12415	Shim, Front Axle Pin (NI)	-	AR -
38	ESL10554	Bush, Front Axle Trunion Retainer	-	1 -

AXLE & STEERING PARTS-MECHANICAL

435 / 535



AXLE & STEERING PARTS-MECHANICAL



FRONT END & STEERING

435 / 535

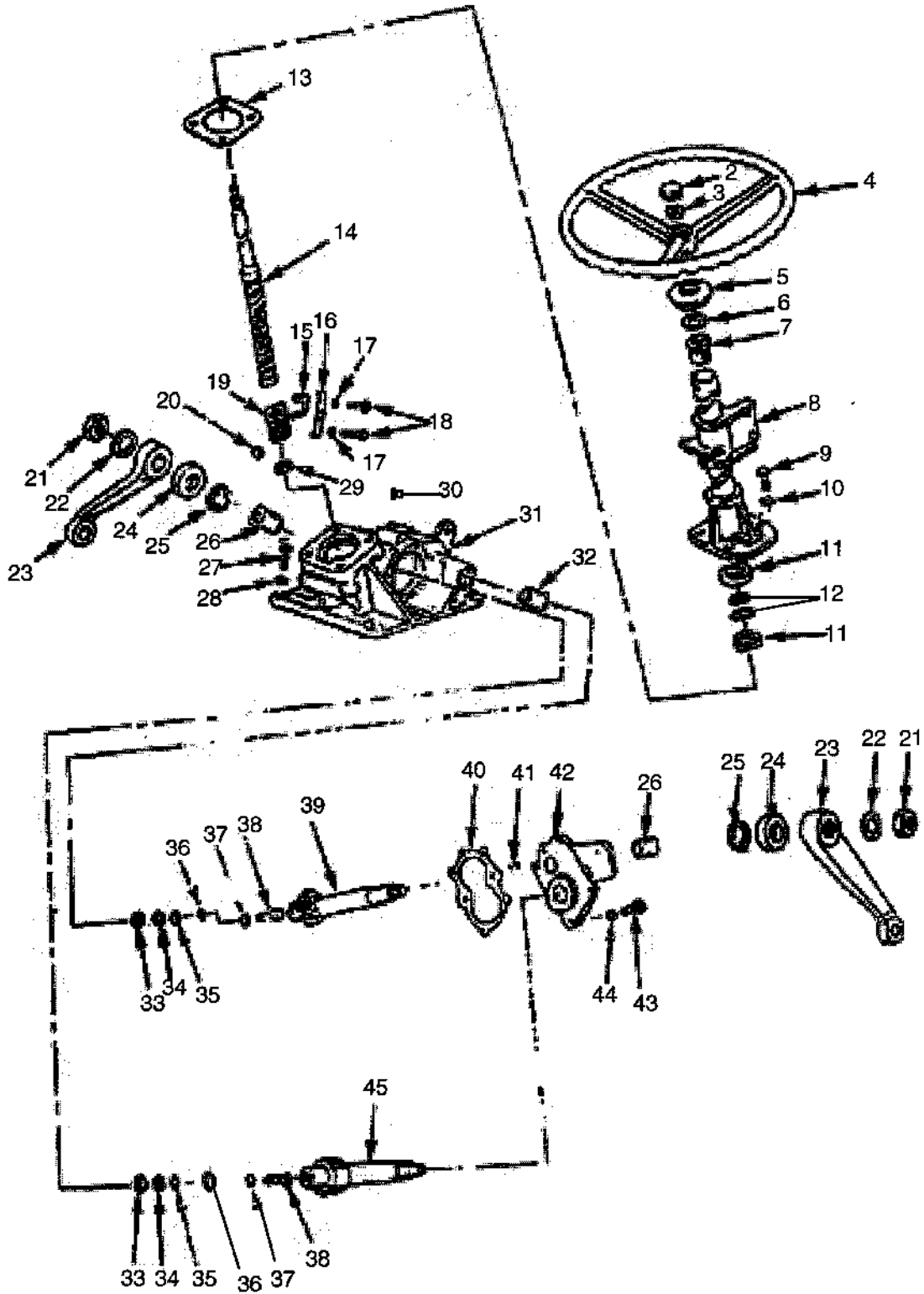
ITEM No	PART No.	DESCRIPTION	VENDOR No.	QUANTITY	
				435	535
39	ESL10556	Bracket, Front Axle Trunion	-	1	-
40	ESL11752	Bolt, Bracket Front axle Trunion	-	4	-
41	377490S8	Washer, Flat (1/2)	-	4	-
42	87901S8	Grease Nipple (1/8-27)	-	3	-
43	ESL15487	Plate Front Axle Support	D10032970	1	-
44	87650S8	Screw Plug (1/8-27)	-	1	-
45	304962S8	Bolt, Hex Head	-	4	-
46	ESL10543	Spacer, Front Axle	-	4	-
47	33849S8	Nut, Hex (5/8-11)	-	4	-
48	ESL10567	Spindle Bush Set (2 each Upper & Lower)	-	1	-
49	ESL10541	Axle, Front LH	-	1	-
50	ESL10547	Seal, Spindle Pin Dust	-	2	-
51	ESL10563	Seal Dust Cover, Upper	-	2	-
52	ESL10561	Seal Upper, Spindle	-	2	-
53	ESL10544	Bearing Assembly, Front Wheel Spindle	-	2	-
54	ESL10560	Seal Lower, Spindle	-	2	-
55	ESL10565	Seal, Spindle Front	-	2	-
56	ESL10564	Spacer, Spindle Front	-	2	-
57	ESL10562	Seal Dust Cover, Lower	-	2	-
58	ESL12699	Spindle Assembly, Front Wheel LH	-	1	-
59	ESL13304	Key, Woodruff (1/4*7/8)	-	2	-

AXLE & STEERING PARTS-MECHANICAL

Ⓢ - SERIAL NUMBER BREAK ,

↙ - INDICATES UP TO AND INCLUDING THAT SERIAL NUMBER

435 / 535



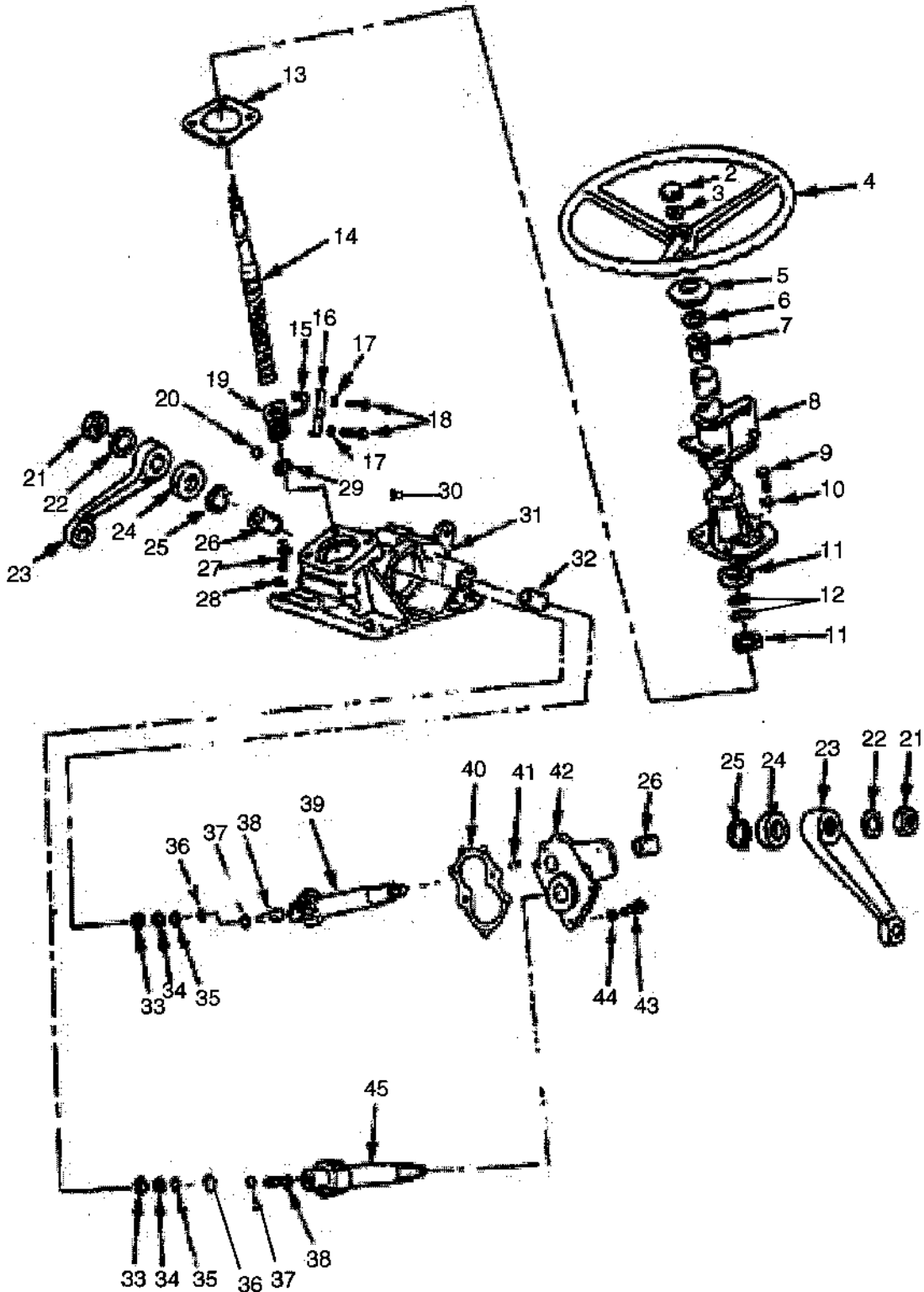
STEERING GEAR ASSEMBLY-MECHANICAL

435 / 535

ITEM No	PART No.	DESCRIPTION	VENDOR No.	QUANTITY
				435 535
1	ESL10600	Steering Gear Assembly	-	1 -
-	-	Housing Assembly, Steering Gear (NSS)	-	1 -
2	ESL10597	Cap, Steering Wheel Hub	-	1 -
3	ESL11796	Nut, Steering Wheel Retainer	-	1 -
4	ESL10596	Wheel Assembly, Steering	-	1 -
5	ESL12422	Grommet, Steering Column Shroud	-	1 -
6	ESL10599	Seal Steering Column Dust	-	1 -
7	ESL10576	Bush Assembly, Steering Column	-	1 -
8	ESL10577	Column Assembly, Steering Gear	-	1 -
9	ESL14578	Bolt Column Assembly to Housing (M10x30M)	-	1 -
10	ESL10578	Washer Spring, Column to Housing	-	4 -
11	ESL10571	Adjuster Ball Race, Steering Column	-	2 -
12	ESL10572	Steel Ball, Steering Column (3/8")	-	22 -
13	ESL10580	Shim, (0.050mm)	-	AR -
-	ESL10581	Shim (0.127mm)	-	AR -
-	ESL10582	Shim (0.250mm)	-	AR -
14	ESL10601	Main Nut & Shaft Assembly, Steering (Includes Item #15-20)	-	1 -
15	-	Transfer Tube, Main Nut (NSS)	-	2 -
16	-	Retainer Strap, Main Nut (NSS)	-	1 -
17	-	Lock Washer (NSS)	-	2 -
18	-	Bolt, Retainer Strap (NSS)	-	2 -
19	-	Main Nut, Steering Column (NSS)	-	1 -
-	ESL10579	Washer, Joint (NI)	-	1 -
20	ESL10574	Steel Ball, Steering Column (9/32")	-	62 -
21	34694S8	Nut, Hex (7/8-14)	-	2 -
22	34814S8	Washer, Lock (7/8)	-	2 -
23	ESL12230	Arm, Steering Gear	-	2 -
24	ESL10587	Seal, Steering Rocker Shaft (Felt)	-	AR -
25	ESL10586	Seal, Steering Pitman Shaft	-	2 -
26	-	Bush, Rocker Shaft Outer (NSS)	-	2 -
27	ESL11751	Nolt, Steering Case	-	3 -
-	ESL14579	Bolt, Breather	-	1 -
28	34809S8	Washer, Lock (1/2)	-	4 -
29	ESL10575	Inner Ball Race, Main Nut	-	1 -
30	ESL10570	Oil Plug, Steering Oil Level	-	1 -
31	ESL10602	Housing Assembly, Steering (Includes Items #26, 32,42)	-	1 -
32	-	Bush, Rocker Shaft Inner (NSS)	-	2 -
33	ESL11795	Lock Nut, Adjusting Screw	-	2 -

STEERING GEAR ASSEMBLY-MECHANICAL

435 / 535



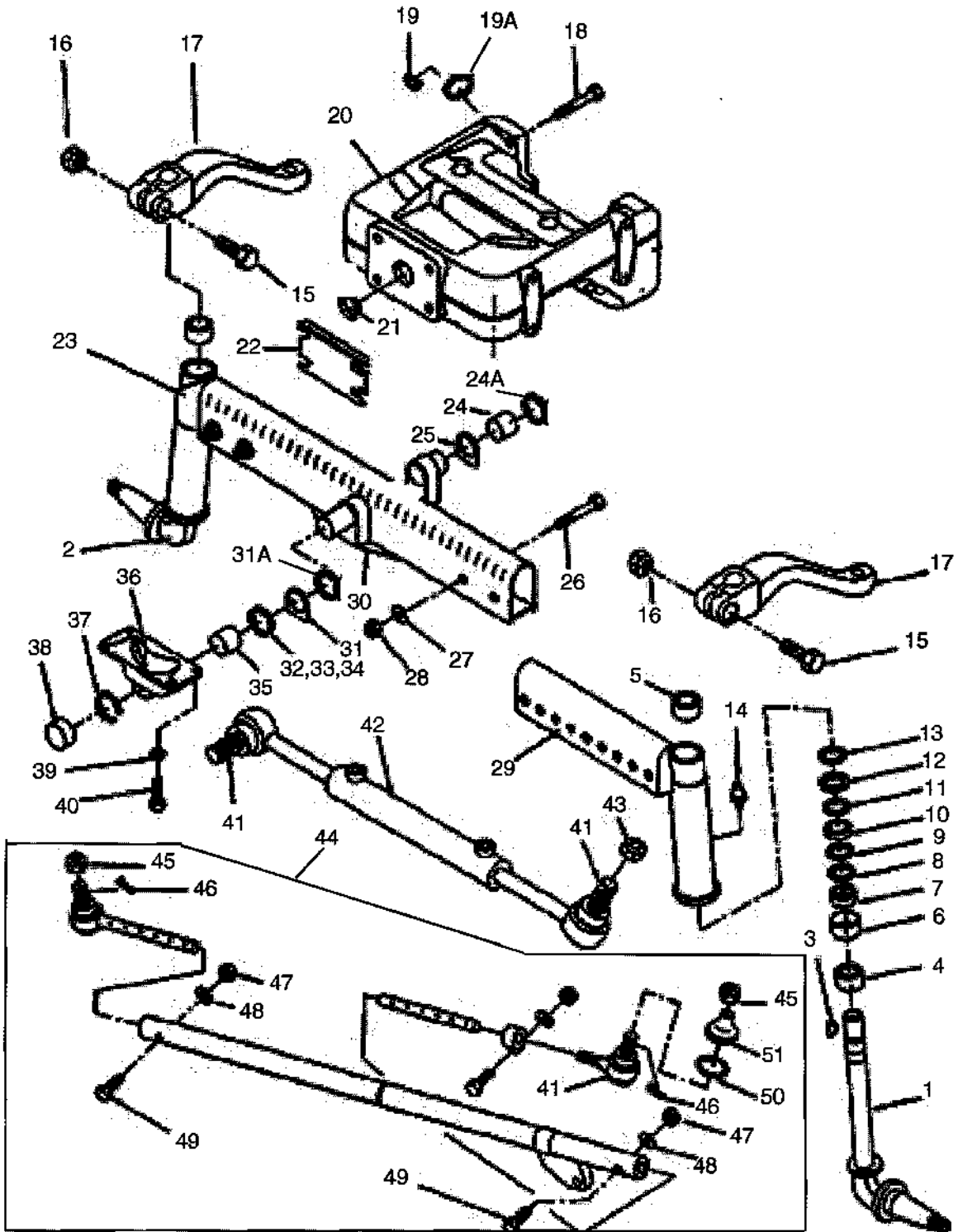
STEERING GEAR ASSEMBLY-MECHANICAL

435 / 535

<i>ITEM No</i>	<i>PART No.</i>	<i>DESCRIPTION</i>	<i>VENDOR No.</i>	<i>QUANTITY</i>	
				435	535
34	ESL10585	Circlip, Rocker Shaft	-	2	-
35	ESL10593	Circlip, Adjusting Screw	-	2	-
36	ESL10588	Shim, Adjusting Screw (0.002)	-	AR	-
-	ESL10589	Shim, Adjusting (0.003)	-	AR	-
-	ESL10590	Shim, Adjusting Acrew (0.004)	-	AR	-
-	ESL10591	Shim, Adjusting Screw	-	2	-
37	ESL11795	Spacer, Adjusting Screw	-	2	-
38	ESL11863	Adjusting Screw	-	2	-
39	ESL10584	Shaft, Rocker Secondary	-	1	-
40	ESL10574	Gasket, Side Cover to Housing	-	1	-
41	ESL10573	Dowel, Cover Plate to Housing	-	1	-
42	-	Cover Plate, Housing (NSS)	-	1	-
43	ESL11750	Bolt, side Cover to Housing	-	6	-
44	N630173S8	Spring Washer (M8)	-	6	-
45	ESL10583	Shaft, Rocker Primary	-	1	-

STEERING GEAR ASSEMBLY-MECHANICAL

435 / 535

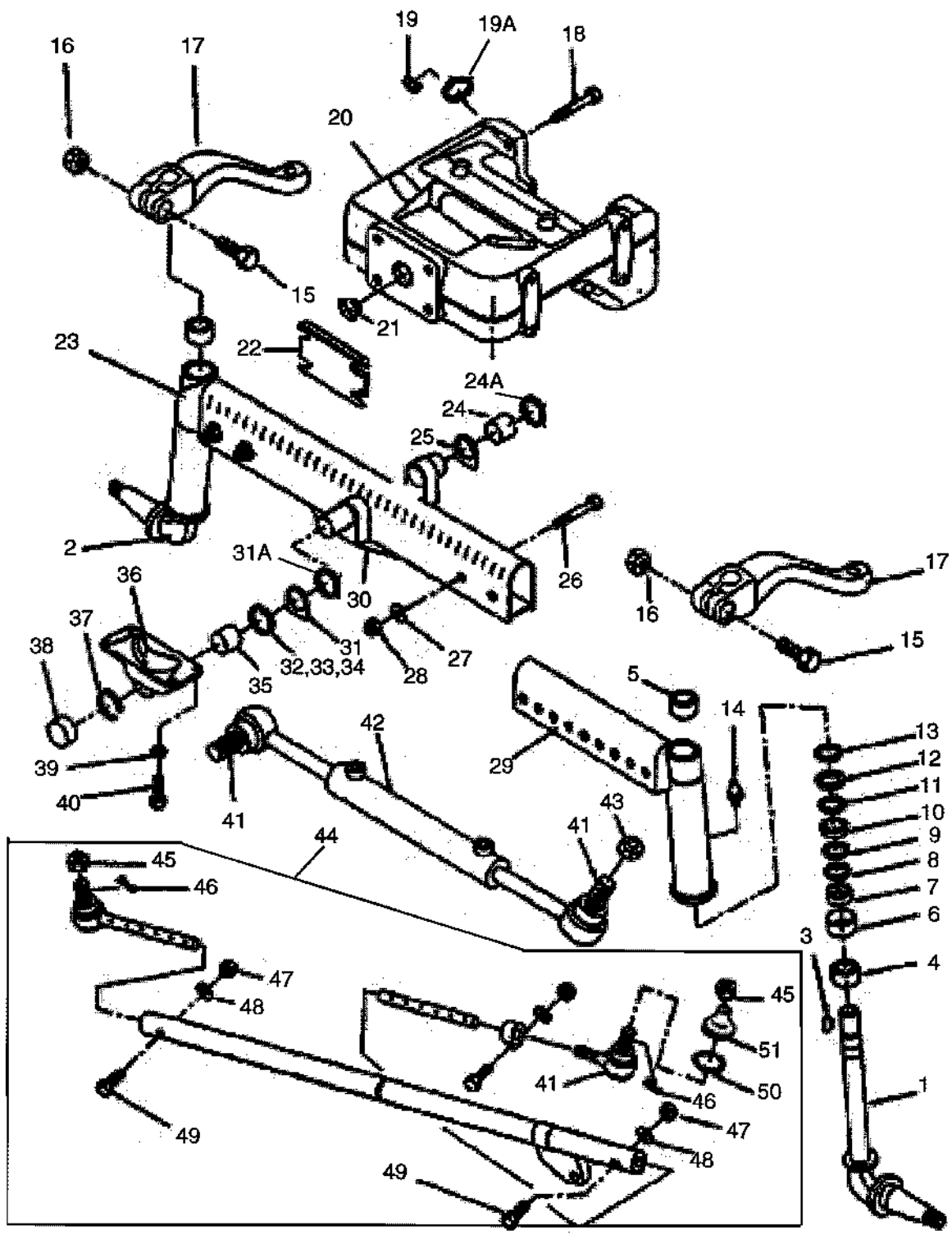


AXLE & STEERING PARTS - HYDROSTATIC

ITEM No	PART No.	DESCRIPTION	VENDOR No.	QUANTITY
				435 535
1	ESL12699	Spindle Assembly, LH	D10047530	- 1
2	ESL12698	Spindle Assembly, RH	D10047520	- 1
3	ESL13304	Key, Woodruff (1/4x7/8)	D91000070	- 2
4-5	ESL10567	Spindle, Bush Set	D10075420	- 1
6	ESL10562	Seal Dust Cover, Lower	D10012870	- 2
7	ESL10564	Spacer, Spindle Front	D10012830	- 2
8	ESL10585	Seal, Spindle Front	D10012840	- 2
9	ESL10560	Seal, Spindle, Lower	D10012820	- 2
10	ESL13303	Bearing Assembly, Front Wheel Spindle	D10013320	- 2
11	ESL10561	Seal Upper, Spindle	D10012810	- 2
12	ESL10563	Seal Dust Cover, Upper	D10012850	- 2
13	ESL10547	Seal, Spindle Pin Dust	D10012310	- 2
14	ESL10542	Grease Nipple (1/8-27)	87901S36	- 2
15	304862S8	Bolt, Hex Head (7/16-14x2.25)	304862S36	- 2
16	34670S8	Nut, Hex (7/16-14)	34670S36	- 2
17	ESL10610	Arm, Steering Spindle	D10021460	- 2
18	ESL14574	Stud, Front Axle Support	D10035660	- 4
19	ESL14220	Nut, Hex (M8x1.5-8)	D10032950	- 4
19A	ESL14219	Washer, Spring Lock (M20)	D10032940	- 4
21	ESL10058	Plug, Dust Cover Front Axle Support	D10019450	- 1
22	ESL13678	Front Weight Spacer (Optional)	90643	- 1
23	ESL11949	Front Axle Extension, RH	D10021450	- 1
24	ESL10549	Bush, Front Axle, Rear	D10060800	- 1
24A	ESL10550	'O' Seal, Support	D10012890	■ 1
25	ESL12413	Washer Thrust, Rear	D10013000	- 1
26	304962S8	Bolt, Hex Head (5/8"-11)	D81000440	- 4
27	ESL15489	Spacer, Front Axle	D10103070	- 4
28	33849S8	Nut, Hex (5/8"-11)	D83000090	- 4
29	ESL11950	Front Axle Extension, LH	D10021490	- 1
30	ESL11944	Axle Assembly, Front Center	D10021390	- 1
31	ESL11678	Washer, Thrust, Front	D10070640	- 1
31A	ESL10552	'O' Seal, Trunion	D10012680	■ 1
32	ESL10558	Shim	D10012720	- AR
33	ESL10559	Shim	D10012730	- AR
34	ESL12415	Shim	D10013070	- AR
35	ESL10551	Bush, Front Axle, Front	D10012600	- 1
36	ESL10556	Bracket FA Trunion, Front	D10012800	- 1
37	ESL10555	Plug & Nut Assembly	D10013020	- 1
38	ESL15213	Plug	D93100020	- 1
39	377490S36	Washer, Flat (1/2)	D10003580	- 4

AXLE & STEERING PARTS - HYDROSTATIC

435 / 535

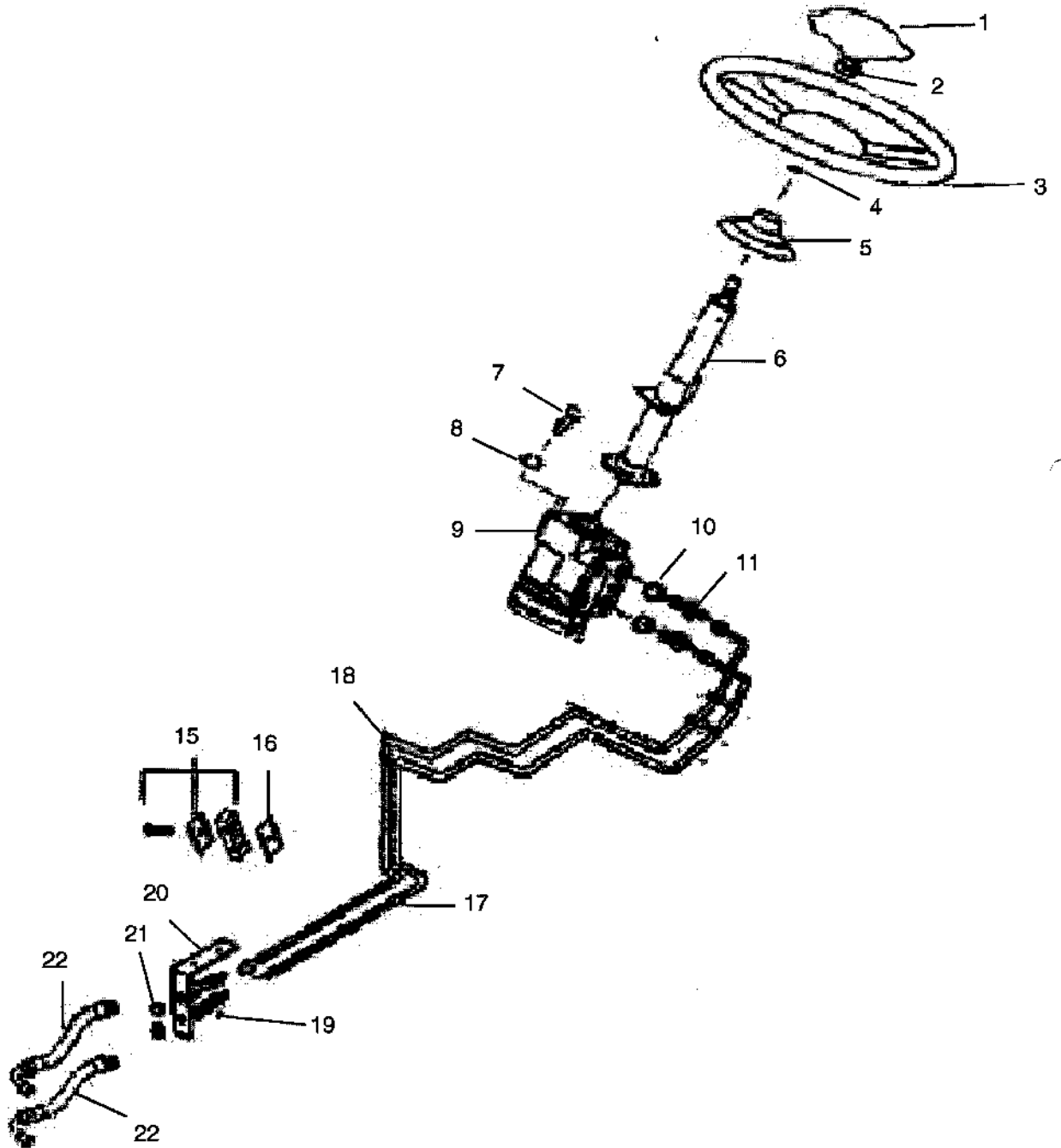


AXLE & STEERING PARTS - HYDROSTATIC

435 / 535

ITEM No	PART No.	DESCRIPTION	VENDOR No.	QUANTITY
				435 535
40	ESL11752	Bolt, Hex Head (1/2 - 13x1.50)	D10012670	- 4
41	ESL10620	End Assembly	D10021100	- 3
42	ESL12713	Cylinder Assembly	D10021090	- 1
43	ESL11797	Nut, Lock	D10021110	- 2
44	ESL11951	Tie Rod Assembly	D10021120	- 1
45	ESL14559	Castle Nut (M14x1.5)	D10021110	- 2
46	72035S8	Pin, Split	72035S8	- 2
47	N620012S8	Nut (M6)	N620012S36	- 2
48	N630067S8	Washer, Flat (M6)	N630067S36	- 2
49	N600515S36	Bolt, Hex Head (M6x1-12)	N600515S36	- 2
50	ESL12236	Retainer Ring, Dust Cap	D10105490	- 2
51	ESL12235	Dust Cap, Tie Rod	D10105100	- 2
52	ESL14204	Seal Kit, Steering Cylinder	D10105210	- 1

435 / 535



STEERING MOTOR & PIPES - HYDROSTATIC

5:15

⊕ - SERIAL NUMBER BREAK, ↙ - INDICATES UP TO AND INCLUDING THAT SERIAL NUMBER

435 / 535

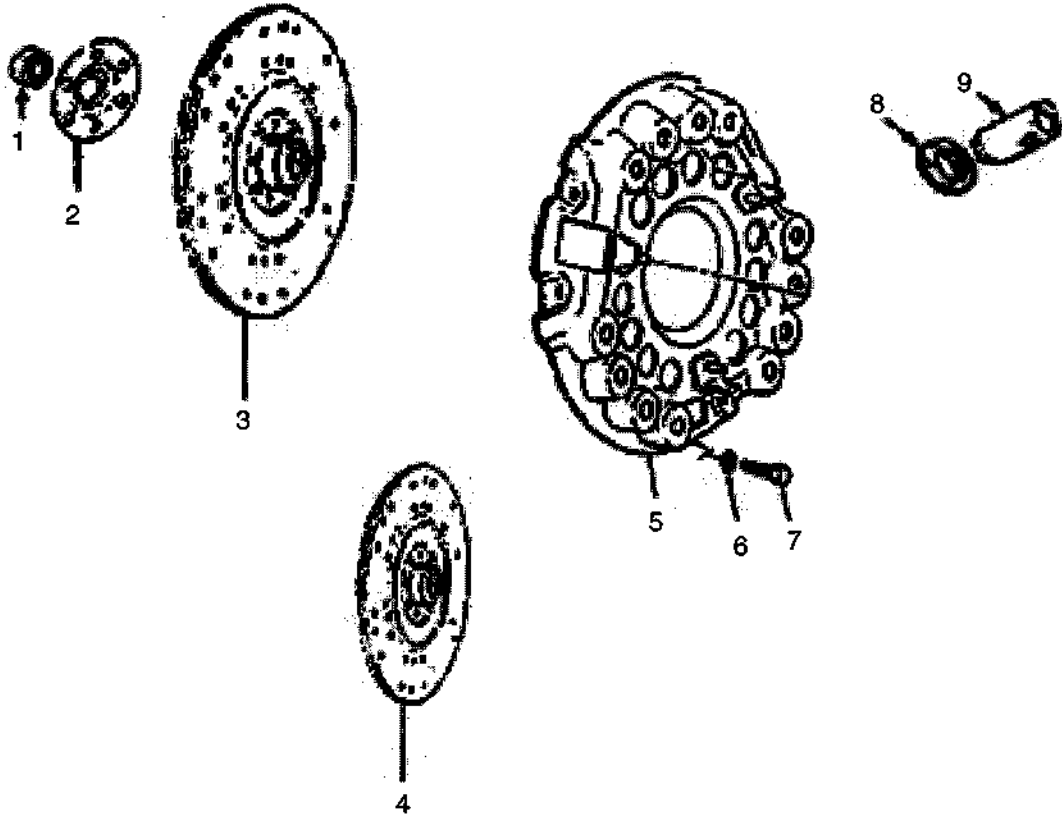
<i>ITEM No</i>	<i>PART No.</i>	<i>DESCRIPTION</i>	<i>VENDOR No.</i>	<i>QUANTITY</i>
				435 535
1	ESL10650	Cap, Steering Wheel	D10016560	- 1
2	ESL11796	Nut, Steering Wheel Retainer	D10018500	- 1
3	ESL10649	Steering Wheel (Includes Item #1)	D10021550	- 1
4	ESL10599	Seal, Column Dust	D10018530	- 1
5	ESL12422	Grommet, Column Shroud	D10021910	- 1
6	ESL14560	Steering Column Assembly	D10021070	- 1
7	N605548S8	Bolt, Hex Head (M10x1.5x40)	D81500100	- 4
8	N630174S8	Washer, Lock (M10)	N630174S36	- 4
9	ESL12501	Motor Assembly, Steering	D10021050	- 1
10	ESL10021	'O'Ring	D93600070	- 4
11	ESL12507	Adapter, Steering Motor	D10021080	- 4
12	ESL14561	Bracket Assembly	D10021060	- 1
13	ESL11751	Bolt	D10012330	- 4
14	ESL12018	Washer, Lock (1/2)	34809S36	- 4
15	ESL12731	Clamp Assembly	D10021250	- 1
16	ESL12523	Bracket, Tube Holding, LH	D10021200	- 1
17	ESL15490	Tube Assembly, Gear to Adapter, Right Turn	D10079950	- 1
18	ESL15491	Tube Assembly, Gear to Adapter, Left Turn	D10079940	- 1
19	ESL10648	Adapter	D10021280	- 2
20	ESL15492	Bracket, Hose Holding	D10079960	- 1
21	ESL13685	Nut, Hex (9/16-18)	D10021270	- 2
22	ESL10645	Hose Assembly, Cylinder	D10021130	- 2

STEERING MOTOR & PIPES - HYDROSTATIC

Notes

CLUTCH

435 / 535



CLUTCH ASSEMBLY

6:1

☺ - SERIAL NUMBER BREAK, ↙ - INDICATES UP TO AND INCLUDING THAT SERIAL NUMBER



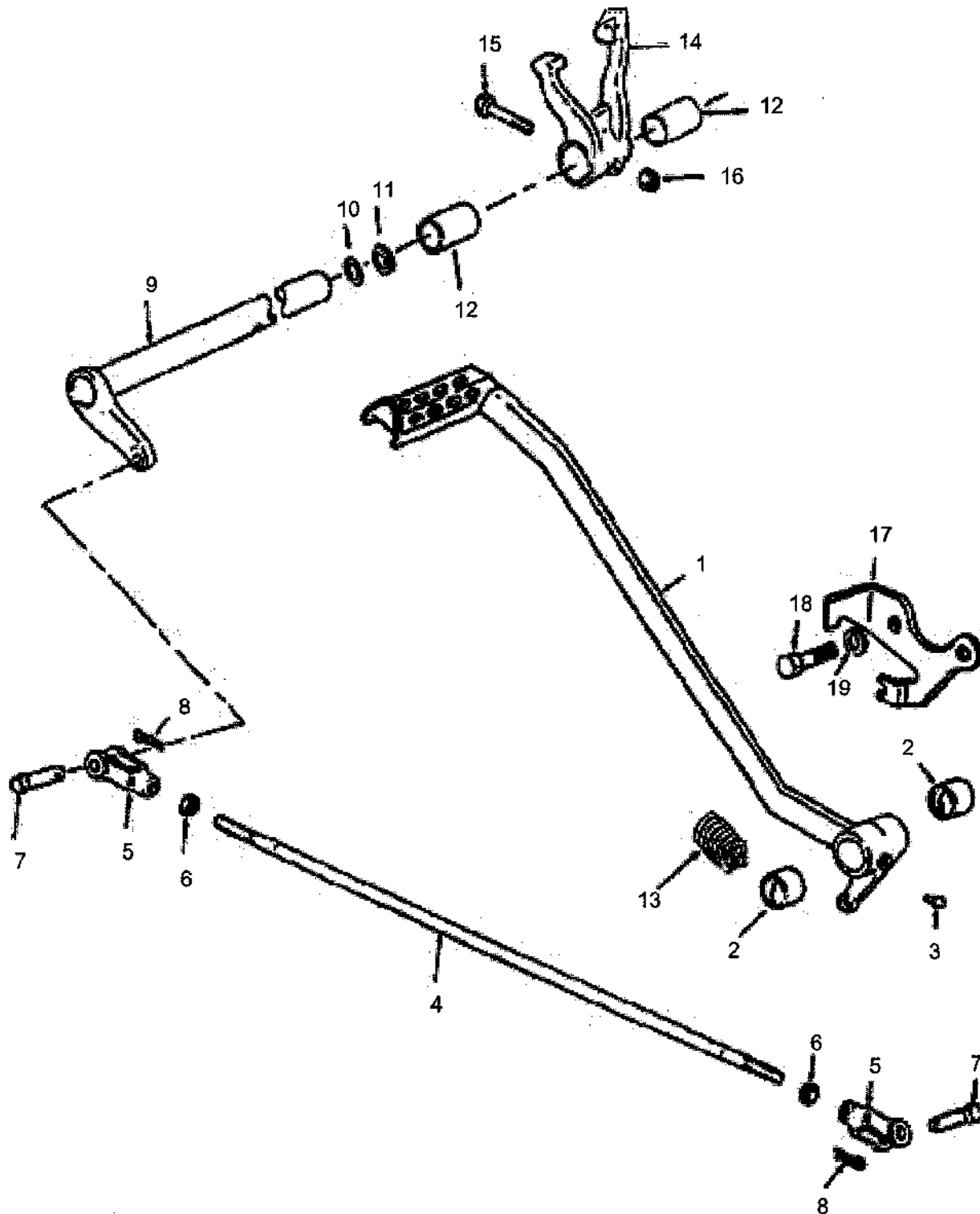
CLUTCH

435 / 535

ITEM No	PART No.	DESCRIPTION	VENDOR No.	QUANTITY
				435 535
1	ESL10692	Bearing, Clutch Pilot	D10010460	1 1
2	ESL10693	Retainer, Clutch Pilot Bearing	D10011710	1 1
3	ESL15493	Disc Assembly, Main (12")	D10019570	1 1
4	ESL14468	Disc Assembly, PTO Clutch (11")	D10059820	1 1
5	ESL14469	Dual Clutch Assembly (12"x11") (Includes Item #4)	D10019560	1 1
6	34806S8	Washer, Lock (5/16)	D86000040	12 12
7	N600213S8	Bolt (M8)	D81500330	12 12
8	ESL10695	Bearing, Clutch Release	D10019490	1 1
9	ESL10694	Hub, Clutch Release Bearing	D10019590	1 1

CLUTCH ASSEMBLY

435 / 535



CLUTCH CONTROLS

435 / 535

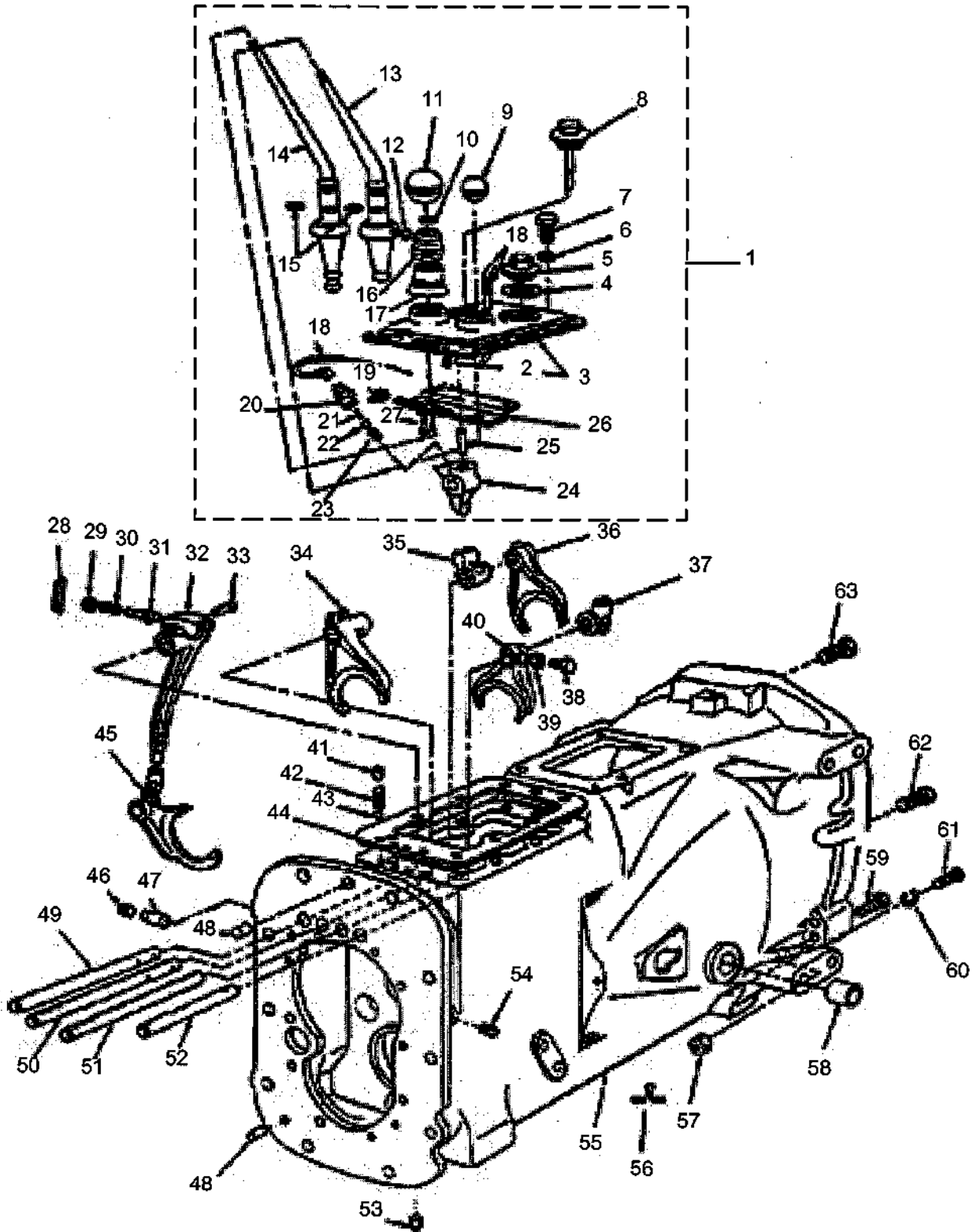
ITEM No	PART No.	DESCRIPTION	VENDOR No.	QUANTITY	
				435	535
1	ESL10652	Pedal Assembly, Clutch	D10019480	1	1
2	ESL10653	Bush, Clutch Pedal	D10087240	2	2
3	ESL10654	Grease Nipple (1/4 - 28)	D92500050	1	1
4	ESL15494	Rod & Clevis Assembly, Clutch Release (Includes #5&6)	D10019700	1	1
5	97013S8	Clevis (3/8 - 24 x 2.50)	D10066700	2	2
6	33925S8	Nut , Hex (3/8 - 24)	D83000010	2	2
7	73919S8	Pin, Clevis (3/8 x 1.14)	D93400030	2	2
8	72017S8	Pin, Split (1/8 x 0.75)	D10013460	2	2
9	ESL15495	Shaft, Clutch Release	D10001450	1	1
10	ESL10660	'O'Ring, Clutch Release Shaft	D10001480	1	1
11	ESL11684	Washer, Clutch Release Shaft	D10001490	1	1
12	ESL10668	Bush Set, Clutch Release Shaft	D10075230	1	1
13	ESL10663	Spring, Clutch Pedal Assist	D10012380	1	1
14	ESL10664	Fork, Clutch Release Shaft	D10001500	1	1
15	ESL14470	Bolt, Hex (3/8 - 16 x 2.00)	D10001510	1	1
16	34987S8	Nut, Hex (3/8 - 16)	D10001520	1	1
17	ESL10666	Bracket, Pedal Spring Rear	D10002330	1	1
18	304724S8	Bolt, Hex (7/16 - 14 x 1.25)	D81000090	2	2
19	34808S8	Washer, Lock (7/16)	D86000020	2	2
20	ESL10667	Plug	D10000160	1	1

CLUTCH CONTROLS

Notes

GEARBOX

435 / 535



TRANSMISSION CASE & SHIFT LEVERS

7:1

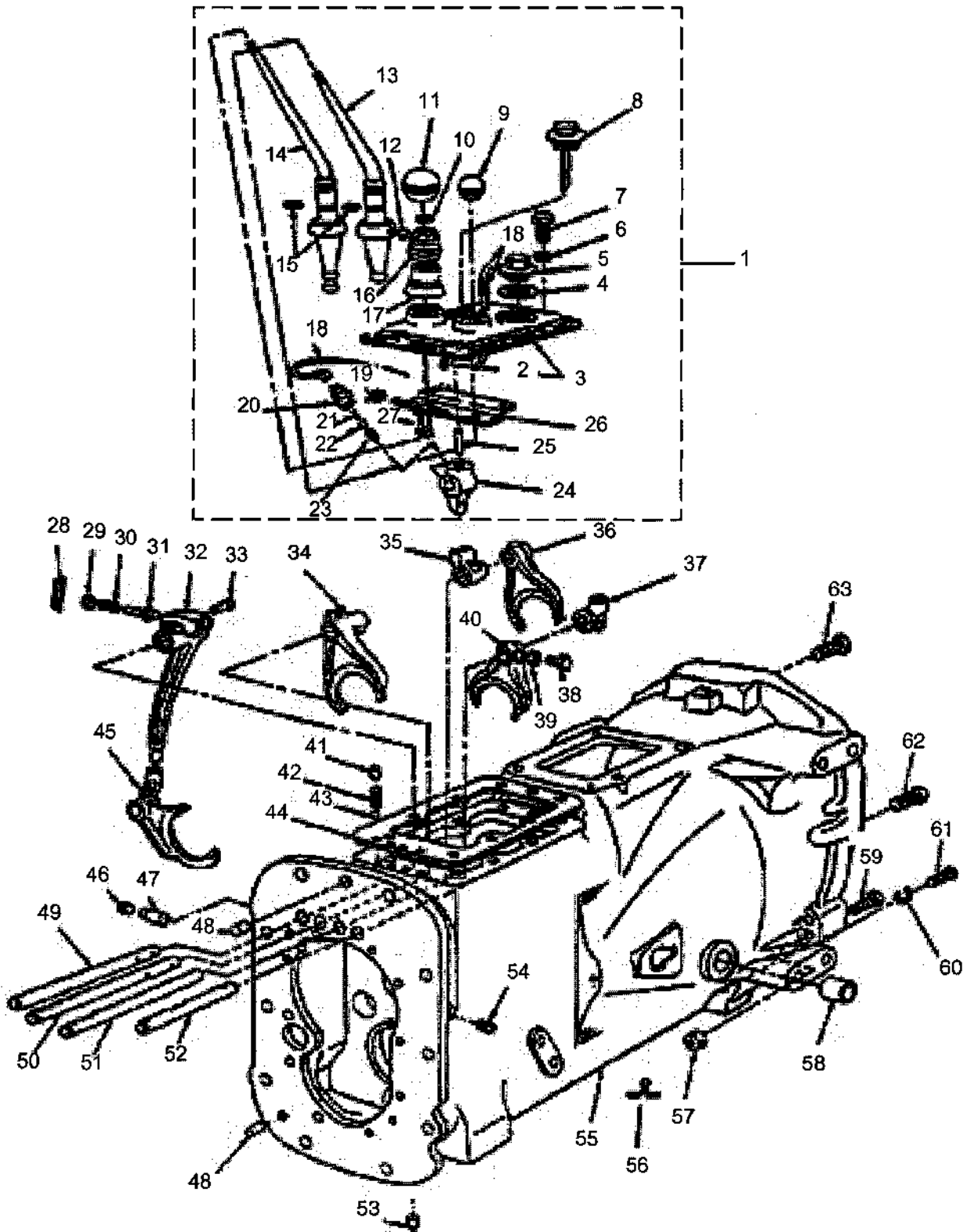
⊗ - SERIAL NUMBER BREAK, ↙ - INDICATES UP TO AND INCLUDING THAT SERIAL NUMBER

435 / 535

ITEM No	PART No.	DESCRIPTION	VENDOR No.	QUANTITY	
				435	535
1	ESL12248	Cover & Lever Assembly, Transmission	-	1	1
2	ESL10752	Dowel, Case Cover	-	1	1
3	ESL10739	Cover, Transmission Case	-	1	1
4	ESL10740	Gasket, Filler Plug	-	1	1
5	ESL11915	Breather, Transmission Case	-	1	1
6	34807S8	Washer, Lock (3/8)	-	9	9
7	304684S8	Bolt, Hex (3/8 - 16 x 1.00)	-	9	9
8	ESL10759	Indicator Assembly, Transmission Oil	-	1	1
9	ESL10903	Ball, High Low Gear Shift	-	1	1
-	ESL10749	Rubber Boot, Gear Shift Lever (NI)	-	2	2
10	ESL10747	Snap Ring, Gear Shift Lever	-	2	2
11	ESL10748	Ball, Main Shift Lever	-	1	1
12	ESL10744	Pin, Gear Shift Lever Socket	-	2	2
13	ESL10742	Lever, High Low Gear	-	1	1
14	ESL10741	Lever, Main Gear	-	1	1
15	ESL10743	O'Ring Seal (0.625 x 0.07)	-	2	2
16	ESL10746	Spring, Gear Shift Lever	-	2	2
17	ESL10745	Retainer, Gear Shift Lever Ball	-	2	2
18	ESL10757	Harness Assembly, Transmission	-	1	1
19	ESL10758	Clip, Switch Cable	-	1	1
20	ESL10753	Switch Assembly, Transmission	-	1	1
21	ESL10756	Plunger, Safety Starter Switch	-	1	1
22	ESL10735	Ball (3/8)	-	1	1
23	ESL10755	Spring, Safety Starter Switch	-	1	1
24	ESL10754	Retainer, Safety Starter Switch	-	1	1
25	ESL10751	Pin, Safety Switch Locating	-	1	1
26	ESL10750	Stop, Gear Shift Lever	-	1	1
27	304634-S36	Bolt, Hex Head (5/16 - 18 x 0.625)	-	4	4
28	72003S8	Pin, Cotter (1/16 x 0.50)	-	1	1
29	ESL10726	Retainer, Plunger Spring	-	1	1
30	ESL10725	Spring, Selector Stop Plunger	-	1	1
31	ESL10724	Plunger, Selector Stop	-	1	1
32	ESL10723	Arm, Gear Shift Rocker	-	1	1
33	76237S8	Pin, Clevis (3/16 x 1.219)	-	1	1
34	ESL10721	Fork, Gear Shift	-	1	1
35	ESL10733	Connector, Gear Shift Lever	-	1	1
36	ESL10719	Fork, Gear Shift	-	1	1
37	ESL10732	Gate, Gear Shift Lever	-	1	1
38	ESL11869	Screw Gear Shift, Fork Lock	-	6	6
39	33925S8	Nut, Lock Screw (3/8 - 24)	-	6	6

TRANSMISSION CASE & SHIFT LEVERS

435 / 535



TRANSMISSION CASE & SHIFT LEVERS

7:3

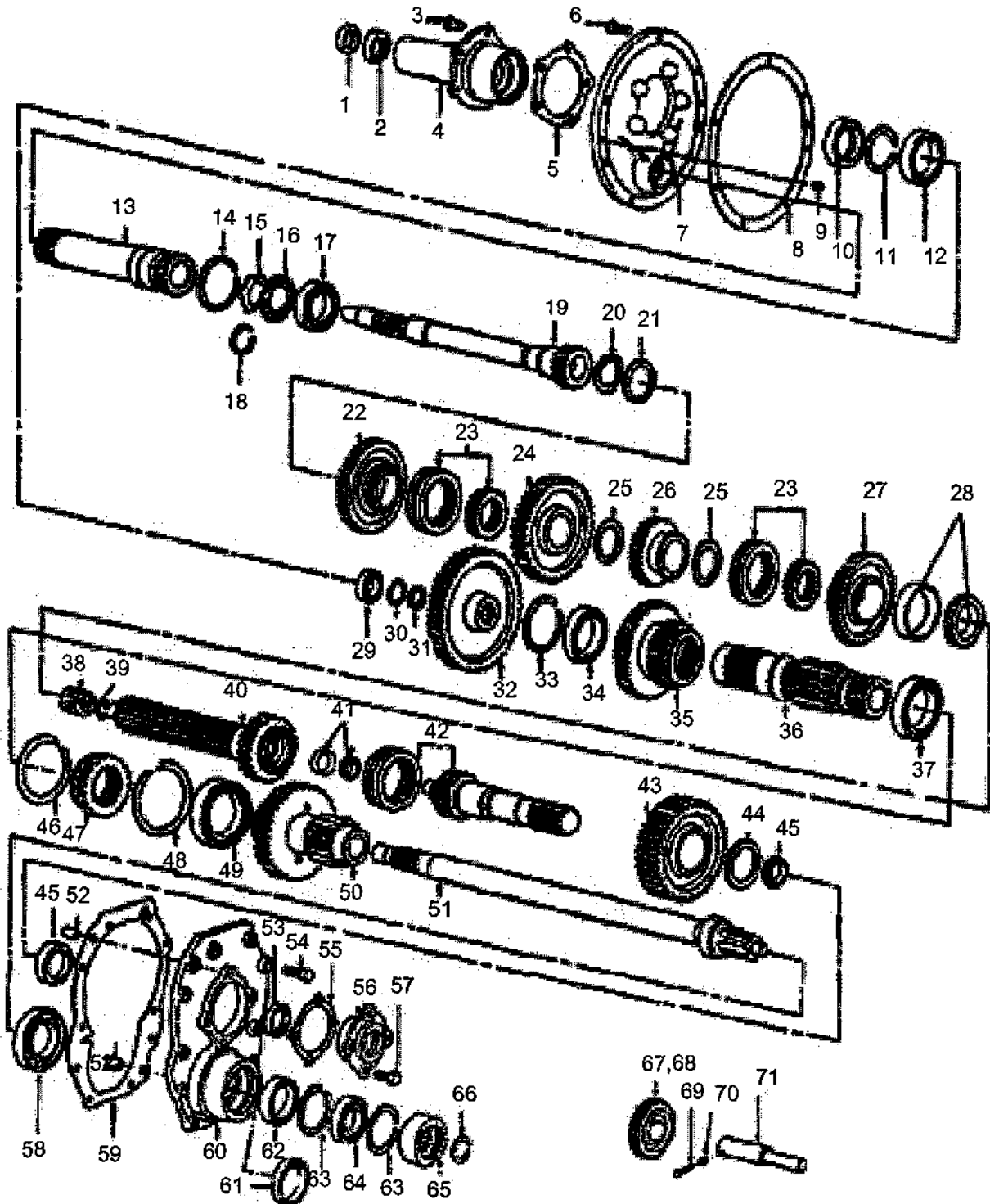
⊗ - SERIAL NUMBER BREAK, ↙ - INDICATES UP TO AND INCLUDING THAT SERIAL NUMBER

435 / 535

<i>ITEM No</i>	<i>PART No.</i>	<i>DESCRIPTION</i>	<i>VENDOR No.</i>	<i>QUANTITY</i>	
				435	535
40	ESL10720	Fork, Gear Shift	-	1	1
41	379678S8	Pin , Main Gear Rail (3/8 x 1.26/1 - 27)	-	3	3
-	ESL10737	Pin, High/Low Rail	-	1	1
42	ESL10902	Spring, Gear Shift Rail	-	4	4
43	ESL10735	Ball, Rail Detent (3/8)	-	4	4
44	ESL10738	Gasket, Gear Shift Housing	-	1	1
45	ESL10722	Fork, Gear Shift	-	1	1
46	ESL10044	Plug, Pipe (1/4 - 18 - PTF)	-	1	1
47	ESL10727	Interlock, Gear Shift Rail	-	2	2
48	379304S8	Pin, Dowel (1/2x0.8125)	-	2	2
49	ESL10731	Rail, Gear Shift	-	1	1
50	ESL10730	Rail, Gear Shift	-	1	1
51	ESL10728	Rail, Gear Shift	-	1	1
52	ESL10729	Rail, Gear Shift	-	1	1
53	ESL12529	Plug, Case Drain (3/4 - 14)	-	1	1
54	ESL10718	Plug (3/4 - 18)	-	1	1
55	ESL10717	Case Assembly, Transmission	-	1	1
56	72055S8	Pin (3/16x1.25)	-	1	1
57	33849S8	Nut, Hex (5/8 - 11)	-	2	2
58	ESL10668	Bush Set, Clutch Release Cross Shaft (Consists of 2 Bushes)	-	1	1
59	58726S8	Bolt, Hex (5/8-11x3.25)	-	2	2
60	34793S8	Washer, Lock (7/16)	-	2	2
61	304724S8	Bolt, Hex (7/16 - 14 x 1.25)	-	2	2
62	58719S8	Bolt, Hex (5/8-11x1.50)	-	2	2
63	304912S8	Bolt, Hex (3/4 - 16 x 2.75)	-	2	2

TRANSMISSION CASE & SHIFT LEVERS

435 / 535



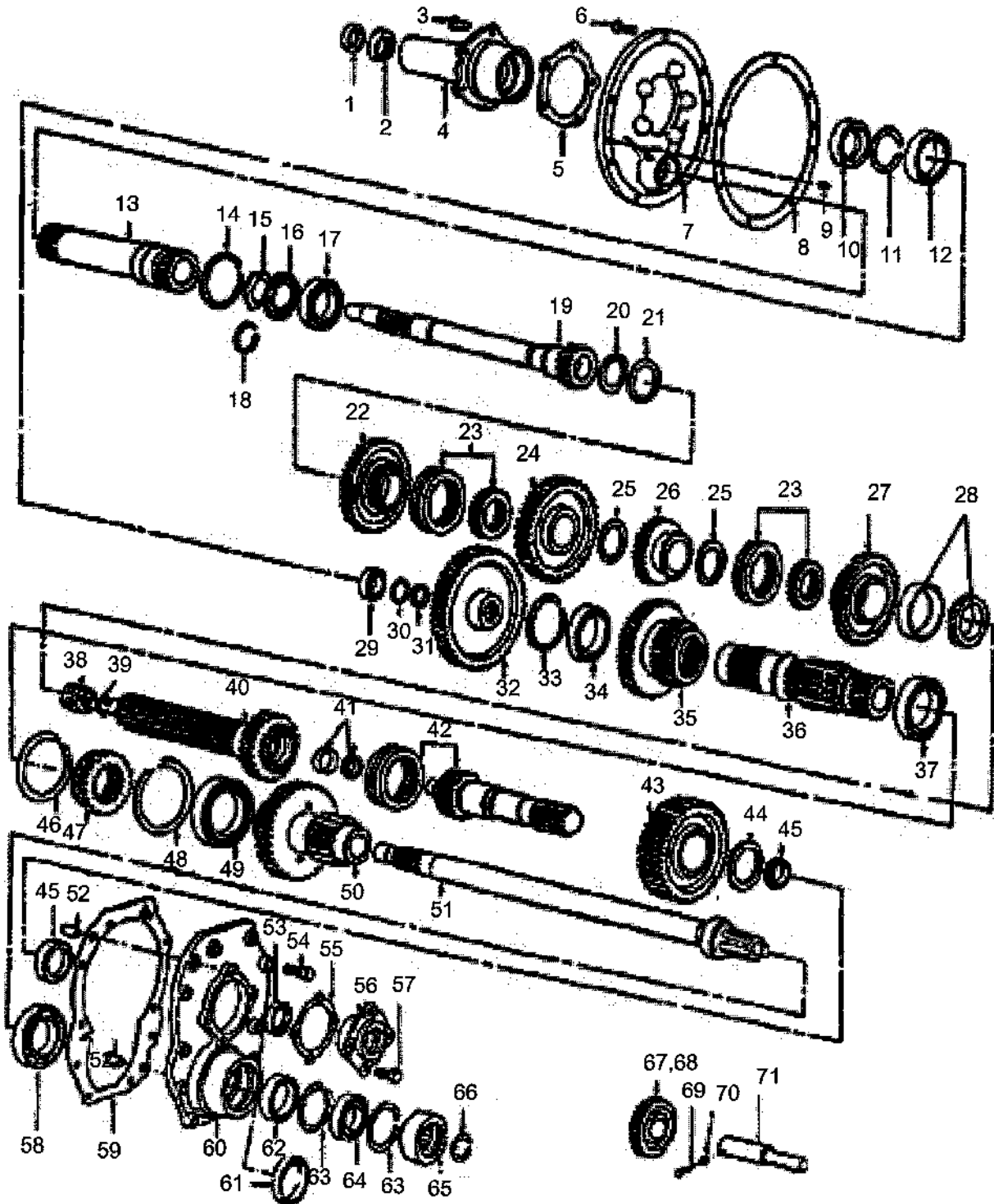
TRANSMISSION GEARS

435 / 535

ITEM No	PART No.	DESCRIPTION	VENDOR No.	QUANTITY	
				435	535
1	ESL10777	Seal, PTO Input Shaft	-	1	1
2	ESL10769	Bearing, PTO Input Shaft	-	1	1
3	46007S8	Bolt, Hex Head (3/8 - 16 x 0.875)	-	5	5
4	ESL10780	Retainer, Input Shaft Bearing	-	1	1
5	ESL10781	Gasket, Clutch Bearing Hub Support	-	1	1
6	46009S8	Bolt, Hex (3/8 - 16 x 1.125)	-	7	7
7	ESL10784	Plate, Release Bearing Support	-	1	1
8	ESL10785	Gasket, Plate	-	1	1
9	73269S8	Pin, Dowel (3/8 x 0.687)	-	2	2
10	ESL10776	Oil Seal, Trans Input Shaft	-	1	1
11	ESL10772	Snap Ring	-	1	1
12	ESL10778	Bearing, Drive Gear Inner	-	1	1
13	ESL10767	Shaft, PTO Input	-	1	1
14	ESL10774	Ring	-	1	1
15	ESL10773	Ring, Drive Bearing	-	1	1
16	ESL12249	Plate, Input Shaft Bearing	-	1	1
17	ESL10768	Bearing, Trans Input Shaft	-	1	1
18	ESL10771	Snap Ring	-	1	1
19	ESL14472	Shaft, Transmission Input (18 Splines)	D10035560	1	1
20	ESL10795	Snap Ring, Main Shaft	-	1	1
21	ESL11686	Washer, Main Shaft Thrust	-	1	1
22	ESL10794	Gear, 3rd Speed	-	1	1
23	ESL10791	Connector & Coupling	-	2	2
24	ESL10793	Gear, 1st Speed	-	1	1
25	ESL11685	Washer, Main Shaft Thrust	-	2	2
26	ESL10792	Gear, Main Shaft Reverse	-	1	1
27	ESL10789	Gear, 2nd Speed	-	1	1
28	ESL10786	Bearing, Taper Roller	-	1	1
29	ESL10819	Bearing, PTO Countershaft Front	-	1	1
30	ESL10820	Ring Snap	-	1	1
31	ESL11689	Washer, PTO Countershaft	-	1	1
32	ESL10817	Gear, PTO Countershaft	-	1	1
33	ESL10774	Lock Ring	-	1	1
34	ESL10818	Bearing, Front	-	1	1
35	ESL14473	Gear, Transmission Countershaft Main	-	1	1
36	ESL10813	Countershaft, Main Transmission	-	1	1
37	ESL10814	Bearing, Rear	-	1	1
38	ESL10797	Bearing, Main Shaft Pilot	-	1	1

TRANMISSION GEARS

435 / 535



TRANSMISSION GEARS

435 / 535

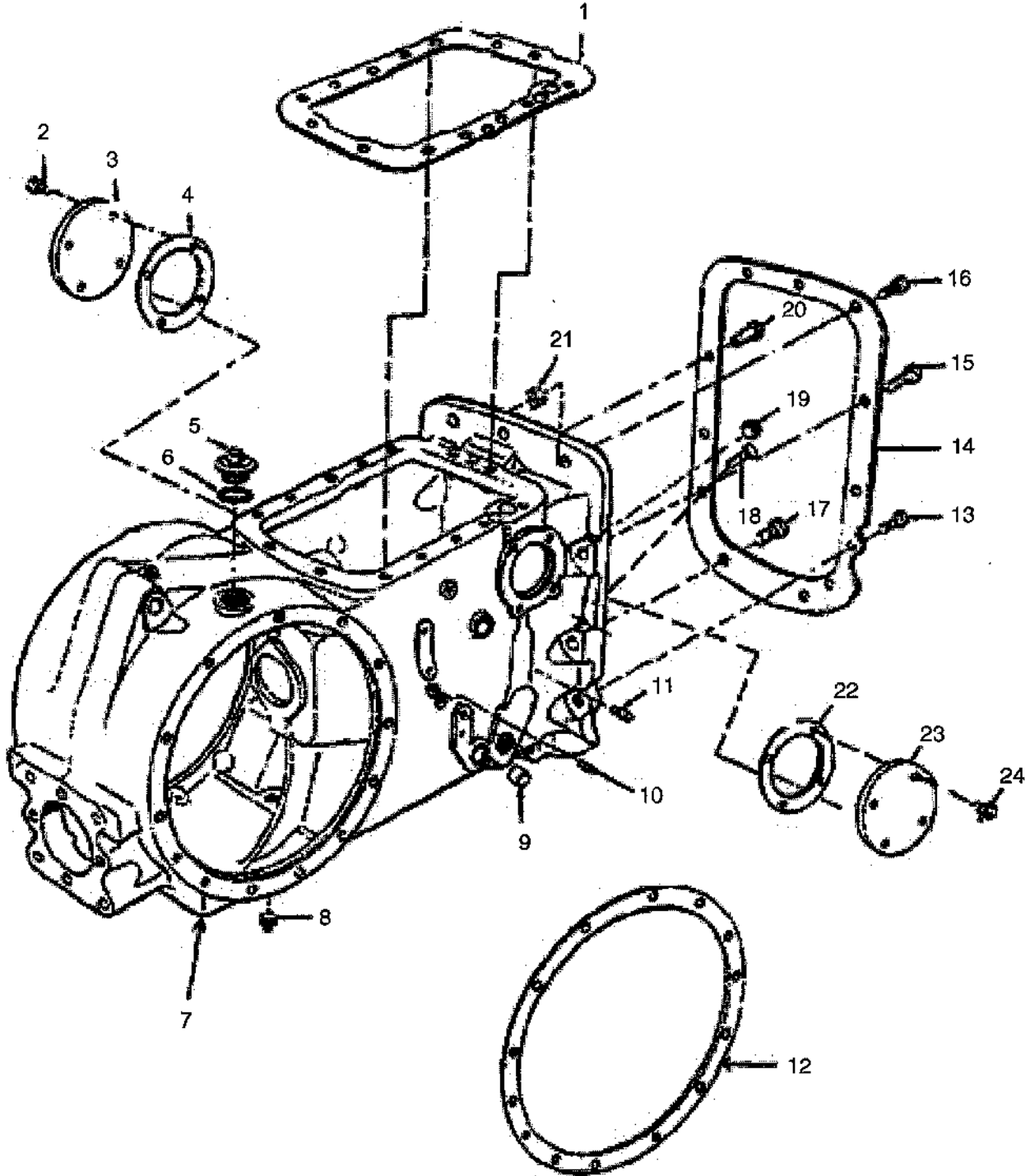
ITEM No	PART No.	DESCRIPTION	VENDOR No.	QUANTITY	
				435	535
39	ESL11687	Washer	-	2	2
40	ESL10787	Shaft, Main (Rear)	-	1	1
41	ESL10788	Bearing, Taper Roller	-	1	1
42	ESL10799	Shaft & Coupling Assembly, Output	-	1	1
43	ESL10800	Gear, Output Shaft	-	1	1
44	ESL11688	Washer, Output Shaft Thrust	-	1	1
45	ESL10801	Bearing, Taper Roller	-	1	1
46	ESL10815	Lock Ring	-	1	1
47	ESL10821	Coupling, Trans Countershaft, Rear	-	1	1
48	ESL10824	Lock Ring	-	1	1
49	ESL10823	Bearing, Rear	-	1	1
50	ESL10822	Gear, Trans Countershaft Rear	-	1	1
51	ESL10811	Countershaft, PTO	-	1	1
52	379304S8	Pin, Dowel (1/2 x 0.8125)	-	2	2
53	ESL10809	Seal, Output Shaft	-	1	1
54	46009S8	Bolt, Hex (3/8 - 16 x 1.125)	-	10	10
55	ESL10805	Shim (0.003)	-	AR	AR
-	ESL10806	Shim (0.005)	-	AR	AR
-	ESL10807	Shim (0.012)	-	AR	AR
56	ESL10808	Retainer, Output Shaft Bearing	-	1	1
57	46007S8	Bolt, Hex (3/8 - 16 x 0.875)	-	4	4
58	ESL10825	Bearing, PTO Countershaft Front	-	1	1
59	ESL10802	Gasket, Output Retainer Plate	-	1	1
60	ESL10803	Retainer Assembly, Trans Output Shaft	-	1	1
61	ESL10804	Plug, Retainer Expansion	-	AR	AR
62	ESL10826	Seal Assembly, PTO Countershaft Rear	-	1	1
63	ESL10827	Snap Ring, PTO Countershaft Rear	-	2	2
64	ESL10828	Bearing, PTO Countershaft Rear	-	1	1
65	ESL10829	Sleeve, PTO Intermediate Shaft	-	1	1
66	ESL10830	Lock Ring, Sleeve & Gear	-	1	1
67	ESL10832	Gear Assembly, Reverse Idler (Includes #68)	-	1	1
68	ESL10833	Bush, Reverse Idler Gear	-	1	1
69	ESL11755	Bolt (3/8-16)	-	1	1
70	ESL10834	Seal Idler Shaft	-	1	1
71	ESL10831	Shaft, Transmission Reverse Idler	-	1	1

TRANSMISSION GEARS

Notes

***REAR END
&
P.T.O.***

435 / 535



CENTER HOUSING



REAR END & P.T.O.

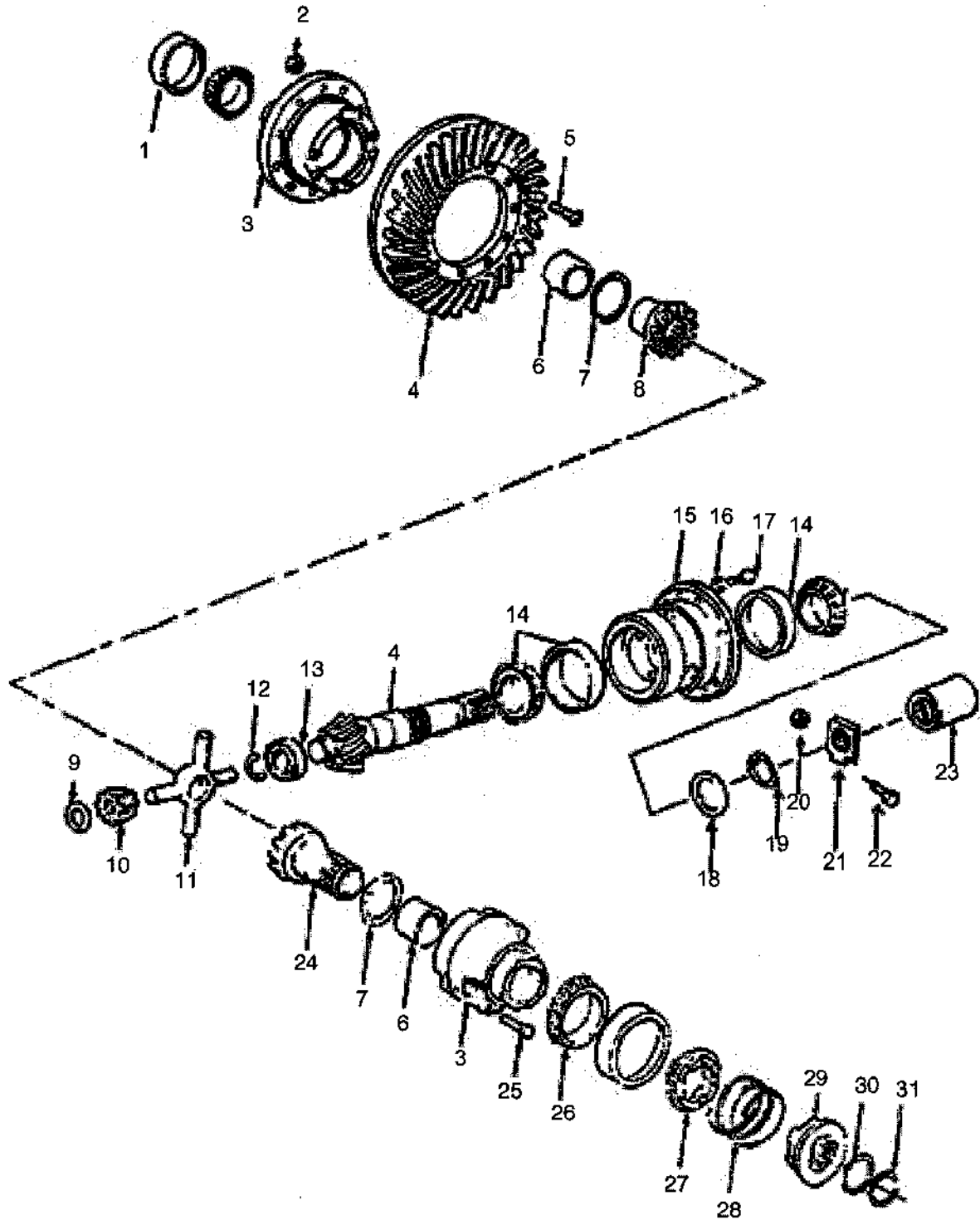
435 / 535

ITEM No	PART No.	DESCRIPTION	VENDOR No.	QUANTITY	
				435	535
1	ESL10841	Gasket, Hydraulic Lift Cover	-	1	1
2	304668-S36	Bolt, Hex (7/16 - 14 x 0.875)	-	2	2
3	ESL10846	Cover	-	1	1
4	ESL10845	Gasket, Cover	-	1	1
5	ESL15197	Plug, Center Housing Filler	D10102840	1	1
6	ESL15198	Gasket, Filler Plug	D10102850	1	1
7	ESL10836	Housing, Rear Axle Center	-	1	1
8	ESL12529	Plug, Drain (3/4 - 14)	-	1	1
9	ESL10847	Bush Set, Brake Pedal Shaft	-	1	1
10	ESL10838	Plug (1/4 - 18)	-	1	1
11	ESL10837	Pin	-	1	1
12	ESL10883	Gasket (0.1524 - 0.2032mm Thick)	-	AR	AR
-	ESL10884	Gasket (0.279-0.329mm Thick)	-	AR	AR
-	ESL10885	Gasket (0.3810 - 0.4310mm Thick)	-	AR	AR
13	58676S8	Bolt, Hex (1/2 - 13 x 1.75)	-	1	1
14	ESL10840	Gasket	-	1	1
15	58677S8	Bolt, Hex (1/2 - 13 x 2.00)	-	1	1
16	58699S8	Bolt, Hex (9/16 - 12 x 2.00)	-	2	2
17	58701S8	Bolt, Hex (9/16 - 12 x 2.50)	-	2	2
18	58679S8	Bolt, Hex (1/2 - 13 x 2.50)	-	1	1
19	33845S8	Nut, Hex (1/2 - 13)	-	6	6
20	58678S8	Bolt, Hex (1/2 - 13 x 2.25)	-	3	3
21	33847S8	Nut, Hex (9/16 - 12)	-	4	4
22	ESL11970	Gasket, Cover FCV Opening	-	1	-
-	ESL11202	Gasket, Flow Control Valve	-	-	1
23	ESL11969	Cover, FCV Opening*	-	1	-
24	304668S8	*Bolt, Hex (7/16-14x0.875)	-	4	-

*Used Only when Flow Control Valve is not installed.

CENTER HOUSING

435 / 535



DIFFERENTIAL & GEAR SET

8:3

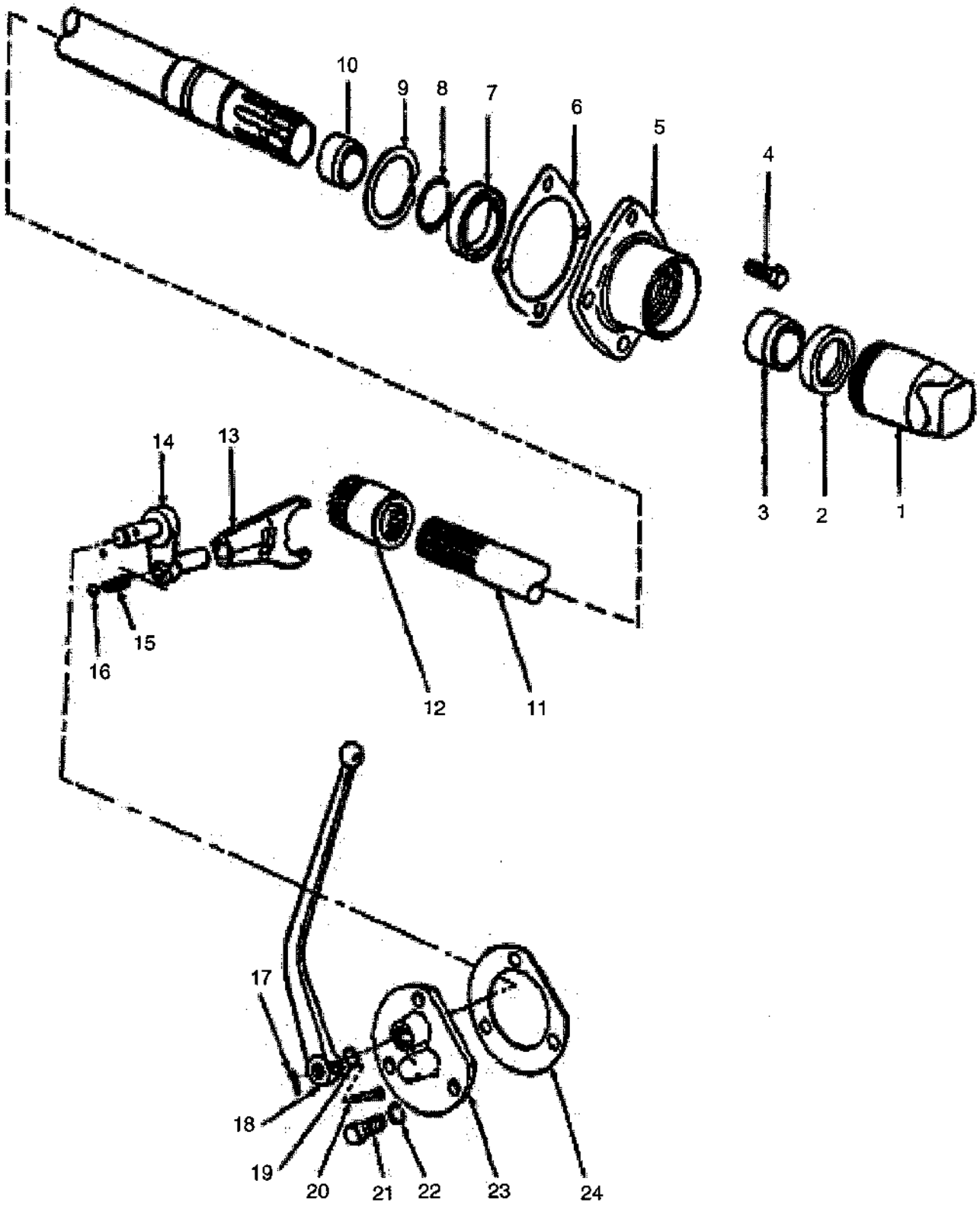
☉ - SERIAL NUMBER BREAK, ↙ - INDICATES UP TO AND INCLUDING THAT SERIAL NUMBER

435 / 535

<i>ITEM No</i>	<i>PART No.</i>	<i>DESCRIPTION</i>	<i>VENDOR No.</i>	<i>QUANTITY</i>	
				435 535	
1	ESL14475	Bearing Assembly, Taper Roller	-	1	1
2	33846-S36	Nut, Hex Lock (1/2 - 20)	-	12	12
3	ESL10850	Case, Rear Axle Differential	-	1	1
4	ESL10851	Gear Set, Rear Axle Matched	-	1	1
5	ESL15496	Bolt, Fillet Head (1/2 - 20 x 1.62)	D10003010	12	12
6	ESL10856	Bush, Differential Case	-	2	2
7	ESL11690	Washer, Thrust, Differential	-	2	2
8	ESL10852	Gear, Differential Side LH	-	1	1
9	ESL11871	Washer, Thrust, Differential	-	4	4
10	ESL10855	Pinion, Differential	-	4	4
11	ESL10854	Spider, Rear Axle Differential	-	1	1
12	ESL10862	Ring, Drive Pinion Pilot Bearing	-	1	1
13	ESL10861	Bearing, Driver Pinion Pilot	-	1	1
14	ESL10863	Bearing, Taper Roller	-	2	2
15	ESL10864	Retainer, Drive Pinion Bearing	D10004080	1	1
16	34810S8	Washer, Lock (9/16)	-	4	4
17	304728S8	Bolt, Hex (9/16 - 12 x 1.25)	-	4	4
18	ESL11691	Washer, Bearing Thrust	-	1	1
19	ESL11692	Washer, Thrust, Drive Pinion	-	1	1
20	ESL11804	Nut, Lock	-	1	1
21	ESL10865	Clamp, Drive Pinion	-	1	1
22	376415S8	Bolt	-	1	1
23	ESL10866	Coupling, Drive Shaft	-	1	1
24	ESL10853	Gear, Differential Side RH	-	1	1
25	43104S8	Screw, Hex (1/2 - 13 x 2.88)	-	8	8
26	ESL10849	Bearing, Taper Roller	-	1	1
27	ESL10857	Adapter, Differential Lock Case	-	1	1
28	ESL10858	Spring, Differential Lock Coupling	-	1	1
29	ESL10859	Coupling, Differential Lock	-	1	1
30	ESL11872	Washer, Lock Coupling	-	1	1
31	ESL10860	Ring, Differential Lock Coupling	-	1	1

DIFFERENTIAL & GEAR SET

435 / 535



POWER TAKE OFF ASSEMBLY

8:5

⊗ - SERIAL NUMBER BREAK, ↙ - INDICATES UP TO AND INCLUDING THAT SERIAL NUMBER



REAR END & P.T.O.

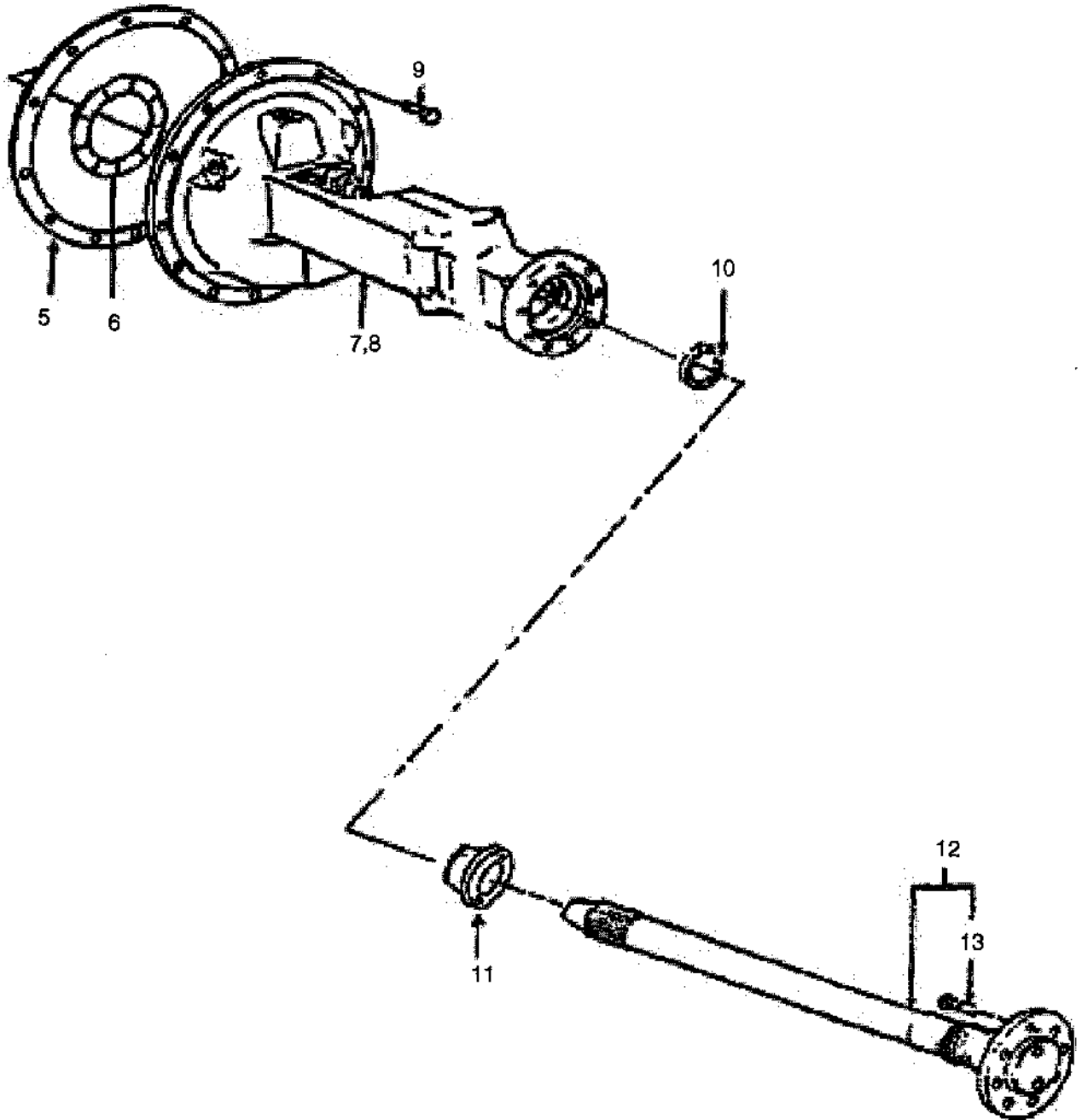
435 / 535

ITEM No	PART No.	DESCRIPTION	VENDOR No.	QUANTITY	
				435 535	
1	ESL10917	Cap, PTO Shaft Rear	-	1	1
2	ESL12532	Oil Seal, Rear PTO Shaft	-	1	1
3	ESL10913	Sleeve, PTO Shaft Rear	-	1	1
4	304724S8	Bolt, Hex (7/16 - 14 x 1.14)	-	4	4
5	ESL10915	Cover, PTO Shaft Rear	-	1	1
6	ESL10916	Gasket, Rear Cover	-	1	1
7	ESL10910	Bearing Rear, PTO Shaft	-	1	1
8	ESL10911	Snap Ring	-	1	1
9	ESL10912	Snap Ring	-	1	1
10	ESL10909	Bush, PTO Rear Shaft	-	1	1
11	ESL10908	Shaft , PTO Rear	-	1	1
12	ESL10906	Sleeve, PTO Countershaft	-	1	1
13	ESL10905	Fork, PTO Shifter	-	1	1
14	ESL10900	Arm, PTO Shifter	-	1	1
15	ESL10902	Spring, PTO Shifter Arm	-	1	1
16	ESL10735	Ball, PTO Shifter Arm	-	1	1
17	72003S8	Pin, Cotter, Bolt to Lever	-	1	1
18	ESL10904	Lever, PTO Shifter	-	1	1
19	ESL10300	'O'Ring (0.625 x 0.103)	-	1	1
20	305080S8	Pin, Roll (1/4 x 1)	-	1	1
21	304686S8	Bolt, Hex (7/16 - 14 x 1.00)	-	3	3
22	34808S8	Washer, Lock (7/16)	-	3	3
23	ESL10898	Plate, PTO Shifter	-	1	1
24	ESL10899	Gasket, PTO Shifter Plate	-	1	1

POWER TAKE OFF ASSEMBLY

☺ - SERIAL NUMBER BREAK ,

↙ - INDICATES UP TO AND INCLUDING THAT SERIAL NUMBER



REAR AXLE

8:7

☺ - SERIAL NUMBER BREAK,

↙ - INDICATES UP TO AND INCLUDING THAT SERIAL NUMBER

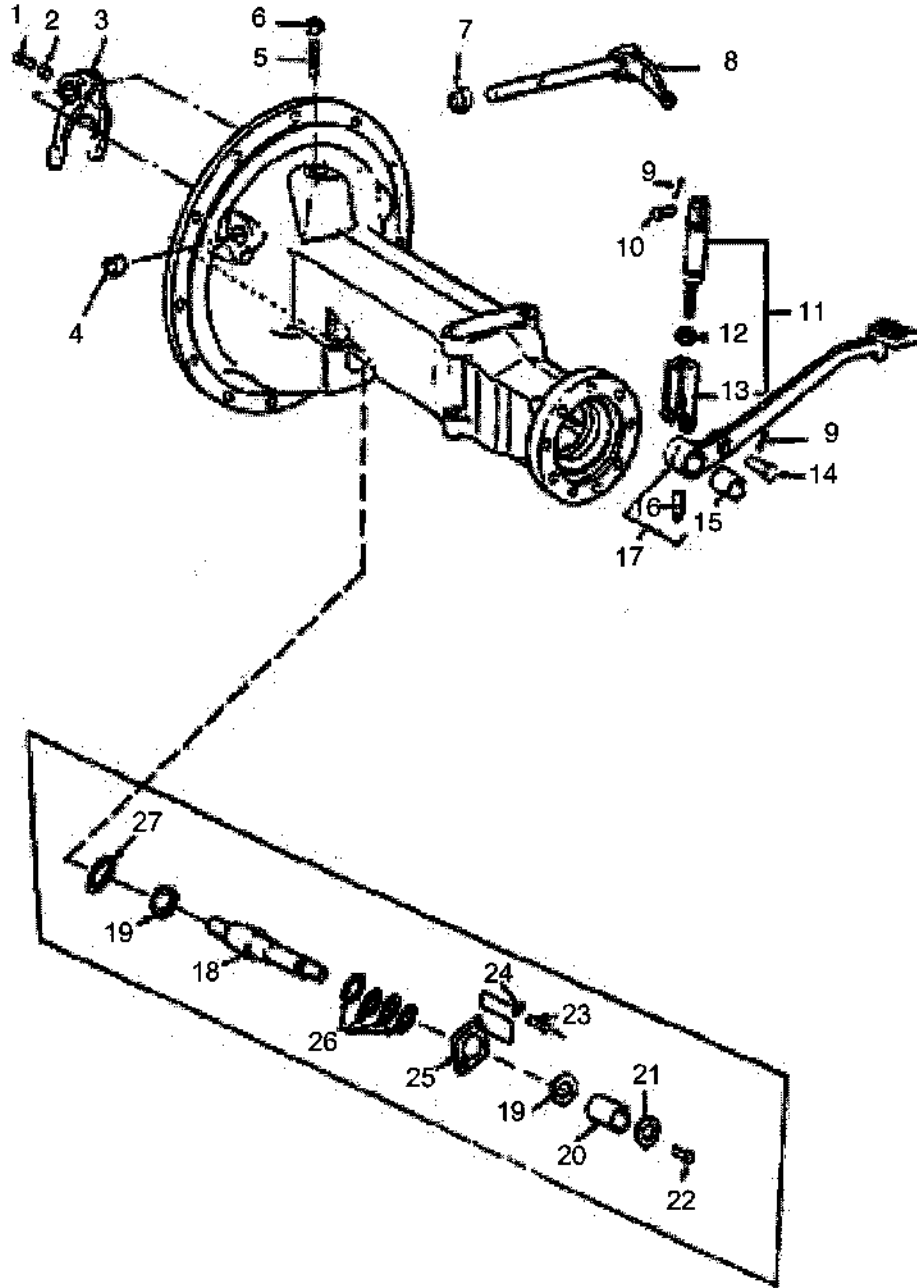


REAR END & P.T.O.

435 / 535

ITEM No	PART No.	DESCRIPTION	VENDOR No.	QUANTITY	
				435	535
1	304684S8	Bolt, Hex (3/8 - 16 x 1.00)	-	2	2
2	34807S8	Washer, Lock (3/8)	-	2	2
3	ESL10896	Block, Drive Gear Thrust	-	1	1
4	ESL10897	Shim, Thrust Block (0.004)	-	AR	AR
5	ESL10883	Gasket (0.152 - 0.203)	-	AR	AR
-	ESL10884	Gasket (0.279 - 0.329)	-	AR	AR
-	ESL10885	Gasket (0.381 - 0.432)	-	AR	AR
6	ESL10889	Shim (2.297)	-	AR	AR
-	ESL10890	Shim (0.203 - 0.254)	-	AR	AR
-	ESL10891	Shim (0.381 - 0.439)	-	AR	AR
-	ESL10892	Shim (0.508 - 0.559)	-	AR	AR
-	ESL10893	Shim (0.762 - 0.813)	-	AR	AR
-	ESL10894	Shim (1.250 - 1.300)	-	AR	AR
7	ESL14477	Housing, Rear Axle RH	-	1	1
8	ESL14478	Housing, Rear Axle LH	-	1	1
9	ESL11901	Bolt, Hex (9/16 - 12 x 1.38)	-	26	26
10	ESL10888	Seal Assembly, Inner	-	2	2
11	ESL12426	Mud Sheild & Retainer	-	2	2
12	ESL10886	Shaft and Bolt Assembly	-	2	2
13	ESL11758	Bolt, Rear Wheel Disc	-	16	16

REAR AXLE



DIFFERENTIAL LOCK COUPLING

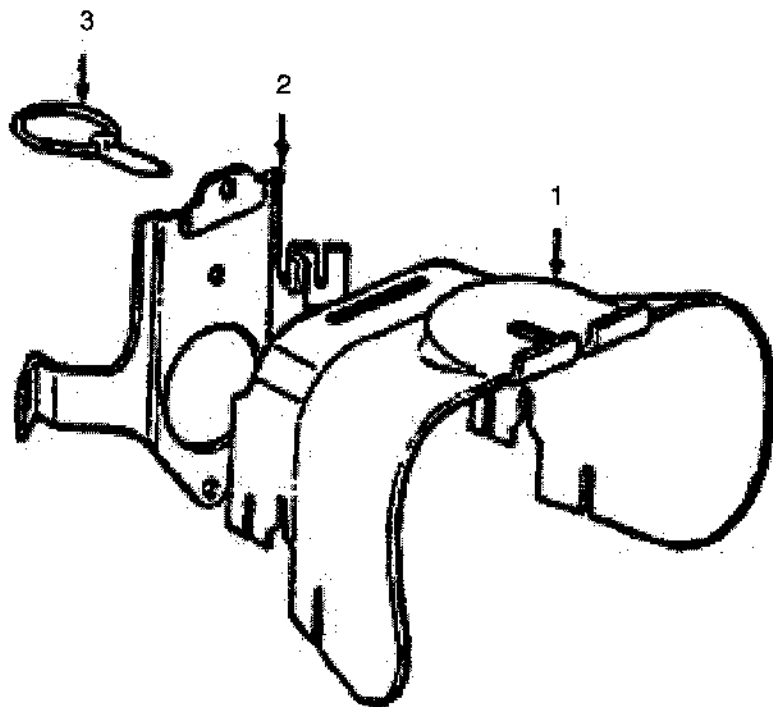
435 / 535

ITEM No	PART No.	DESCRIPTION	VENDOR No.	QUANTITY	
				435	535
1	ESL11869	Screw, Differential Lock Coupling Fork	-	1	1
2	33925S8	Nut, Fork Lock Screw, Hex (3/8-24)	-	1	1
3	ESL10880	Fork, Differential Lock Coupling	-	1	1
4	ESL10879	Plug, Differential Lock Lever Shaft	-	1	1
5	ESL11873	Screw, Differential Lock Fork Stop	-	1	1
6	33924S8	Nut, Hex (3/8-16)	-	1	1
7	ESL10878	Seal, Differential Lock Lever Shaft	-	1	1
8	ESL10877	Shaft & Lever Assembly, Differential Lock	-	1	1
9	72017S8	Pin, Cotter (1/8x0.75)	-	2	2
10	73871S8	Pin, Clevis (5/16x0.76)	-	1	1
11	ESL10875	Linkage Assembly, Rear Axle Differential Lock	-	1	1
12	ESL11806	Nut, Differential Lock Adjusting	-	1	1
13	ESL10876	Clevis, Differential Lock	-	1	1
14	76232S8	Pin, Clevis to Pedal (5/16x1.24)	-	1	1
15	ESL10869	Bush, Differential Lock Pedal	-	1	1
16	ESL10868	Grease Nipple (1/4 - 28)	-	1	1
17	ESL10867	Pedal Assembly, Differential Lock	-	1	1
18	ESL14565	Shaft Lower Link	-	2	2
19	ESL11694	Washer, Shaft Link	-	4	4
20	ESL10874	Sleeve, Differential Lock Pedal (RH Side Only)	-	1	1
21	44746S8	Washer, Flat (3/4")	-	2	2
22	ESL11764	Bolt, Differential Lock Pedal to Shaft Link	-	2	2
23	304684S8	Bolt, Hex Head (3/8-16x1.00)	-	4	4
24	44881S8	Washer, Flat Head (3/8)	-	4	4
25	ESL10873	Retainer Lock	-	2	2
26	ESL10872	'O' Seal	-	8	8

DIFFERENTIAL LOCK COUPLING

435 / 535

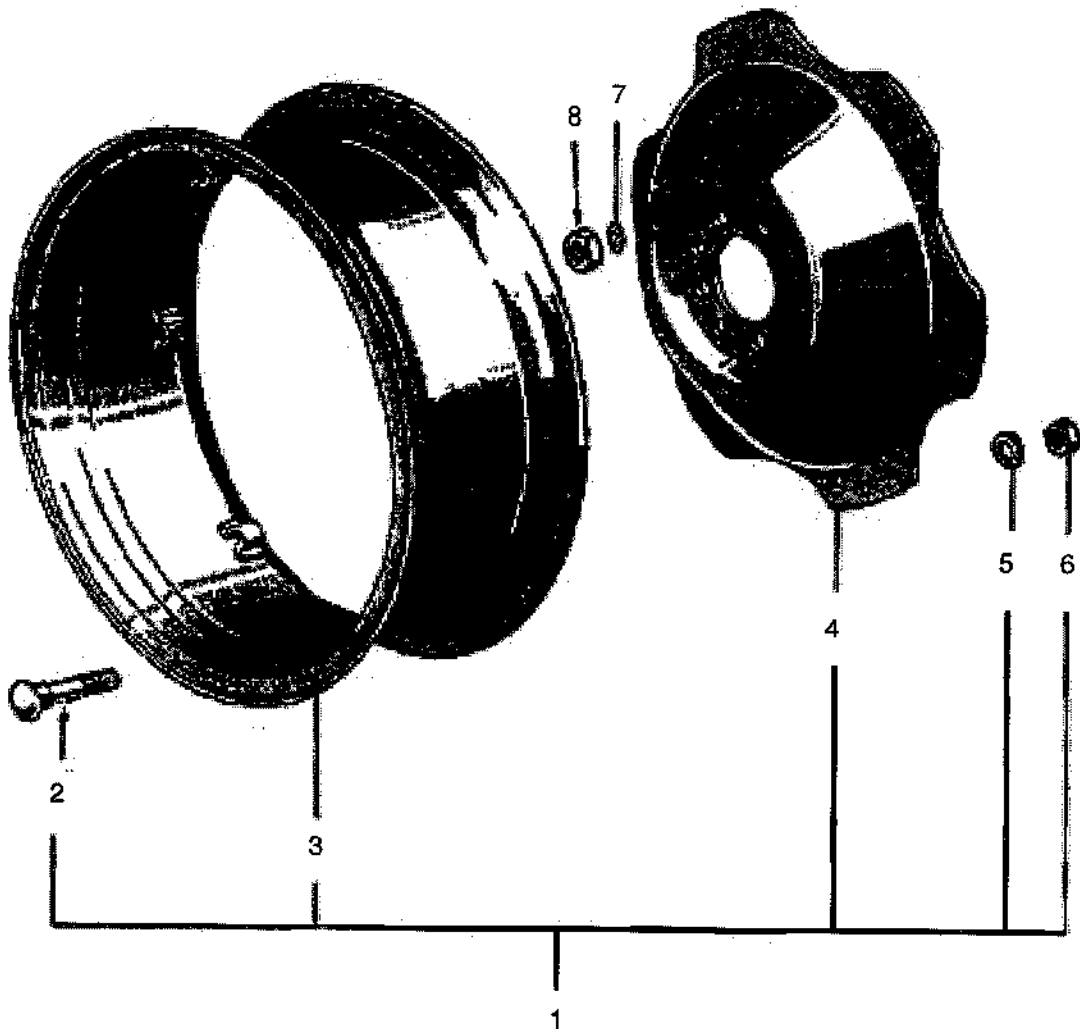
ITEM No	PART No.	DESCRIPTION	VENDOR No.	QUANTITY
				435 / 535
1	ESL10918	PTO Guard	-	1 1
2	ESL10919	Support, PTO Guard	-	1 1
3	ESL11126	Pin Assembly, Linch Lock	-	1 1



PTO GUARD KIT

435 / 535

ITEM No	PART No.	DESCRIPTION	VENDOR No.	QUANTITY	
				435	535
1	ESL14196	Rear Wheel Assembly (W11)	-	2	2
2	ESL14479	Bolt, Rear Wheel Rim to Disc	-	12	12
3	ESL14480	Rim, Rear Wheel	-	2	2
4	ESL10920	Disc, Rear Wheel	-	2	2
5	ESL11923	Washer, Disc to Rim	-	12	12
6	ESL11696	Nut, Disc to Rim	-	12	12
7	ESL11695	Washer, Disc to Rear Axle	-	16	16
8	ESL11808	Nut, Disc to Axle Flange	-	16	16

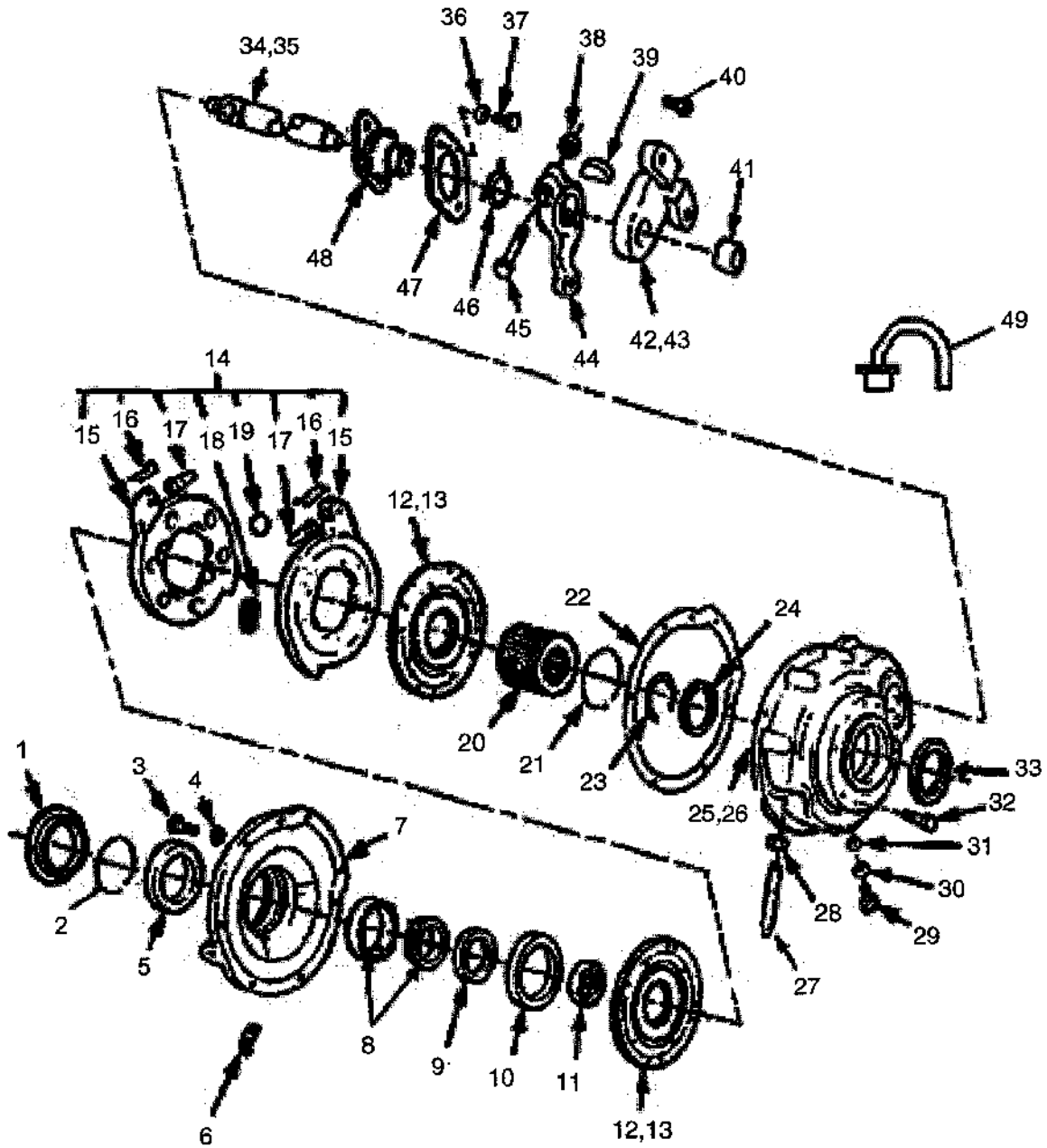


REAR WHEELS

Notes

BRAKE SYSTEM

435 / 535



BRAKES - MECHANICAL DISC TYPE

9:1

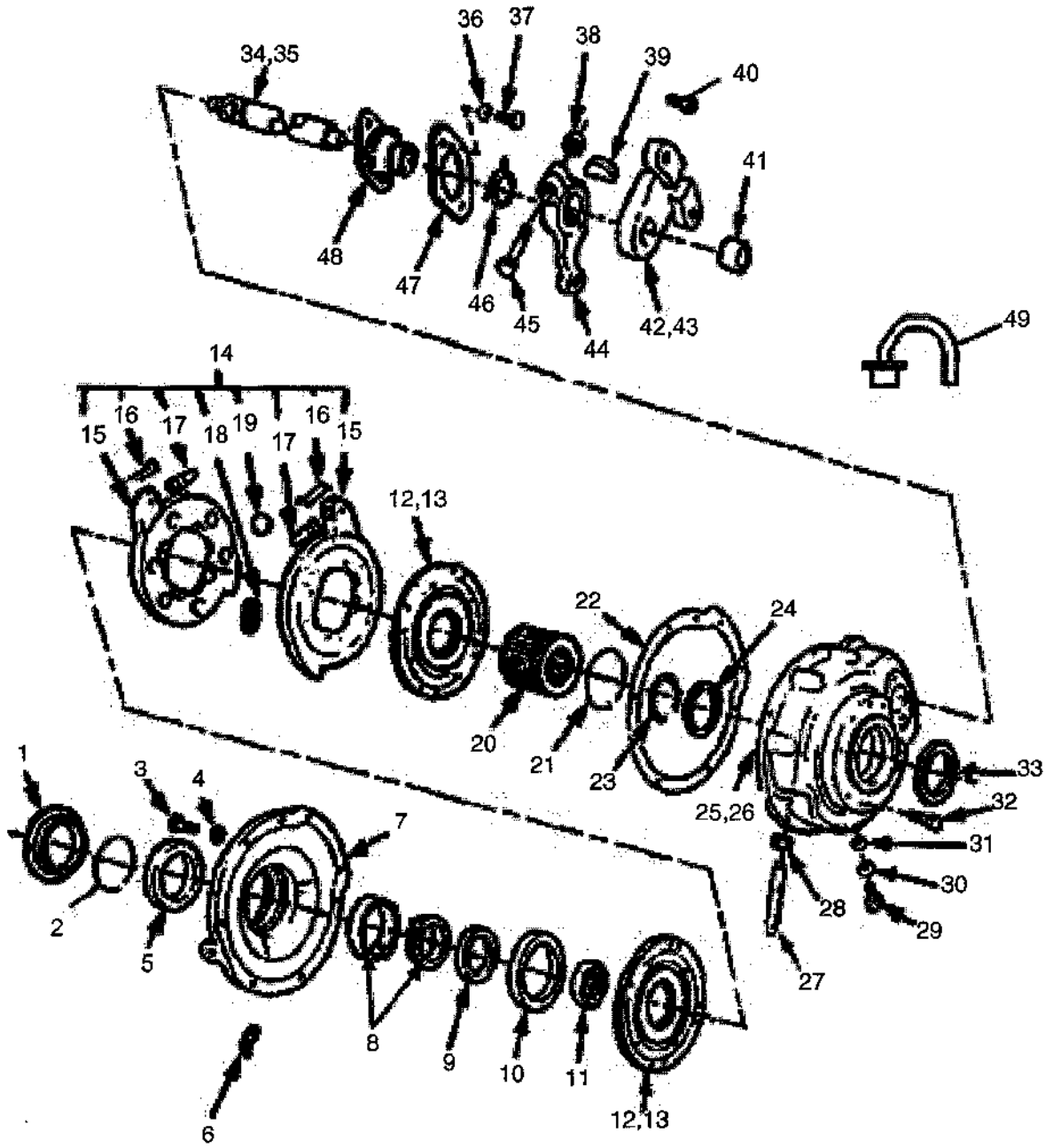
⊗ - SERIAL NUMBER BREAK, ↙ - INDICATES UP TO AND INCLUDING THAT SERIAL NUMBER

435 / 535

ITEM No	PART No.	DESCRIPTION	VENDOR No.	QUANTITY
				435 535
1	ESL10927	Bush, Rear Axle Housing	-	2 2
2	354235-S36	Retainer, Seal Outer Housing	-	2 2
3	ESL14482	Bolt, Hex (1/2 - 13 x 1)	-	8 8
4	ESL11642	Washer, Flat (1/2)	-	8 8
5	ESL10928	Seal, Outer Housing	-	2 2
6	ESL10929	Grease Nipple	-	2 2
7	ESL10930	Housing, Brake Outer	-	2 2
8	ESL10931	Bearing, Taper Roller	-	2 2
9	ESL10932	Spacer, Shaft Bearing	-	2 2
10	ESL10933	Seal, Inner, Rear Axle Shaft	-	2 2
11	ESL11810	Lock Nut, Rear Axle Bearing	-	2 2
12	ESL10934	Disc & Lining Assembly, Friction	-	4 4
13	ESL10964	Friction Lining & Rivet Set (For Repairs Only)	-	1 1
14	ESL10935	Actuator Assembly, Brake Disc	-	2 2
15	-	Disc, Brake Actuating (NSS)	-	4 4
16	ESL10939	Retainer Clip	-	4 4
17	ESL10938	Push Rod, Brake Actuator	-	4 4
18	ESL10937	Spring, Brake Disc Return	-	8 8
19	ESL10936	Ball, Brake Actuating	-	2 2
20	ESL10941	Sleeve, Splined	-	2 2
21	ESL10942	Spring, Disc Brake Sleeve	-	2 2
22	ESL10943	Gasket, Outer Brake Housing	-	2 2
23	ESL10944	Ring Snap, Brake Camshaft	-	2 2
24	ESL11698	Washer Thrust, Brake Camshaft	-	2 2
25	ESL10945	Housing Inner RH, Brake	-	1 1
26	ESL10946	Housing Inner LH, Brake	-	1 1
27	ESL11875	Screw Adjusting, Brake	-	2 2
28	33845S8	Nut, Hex (1/2 - 13)	-	2 2
29	304650S8	Bolt, Hex (3/8 - 16 x 0.75)	-	2 2
30	44726S8	Washer, Flat (3/8)	-	2 2
31	ESL11699	Washer, Spring	-	2 2
32	ESL11759	Bolt, Hex (9/16 - 12)	-	18 18
33	ESL10947	Seal Assembly, Outer	-	2 2
34	ESL10948	Camshaft, Brake Actuating LH	-	1 1
35	ESL10949	Camshaft, Brake Actuating RH	-	1 1
36	34806S8	Washer, Lock (5/16)	-	4 4
37	304664S8	Bolt (5/16 - 18 x 0.88)	-	4 4
38	34670S8	Nut, Hex (7/16 - 14)	-	2 2
39	74188S8	Key (1/4 x 1.25)	-	2 2
40	ESL11760	Bolt, Arm Assembly	-	2 2

BRAKES - MECHANICAL DISC TYPE

435 / 535



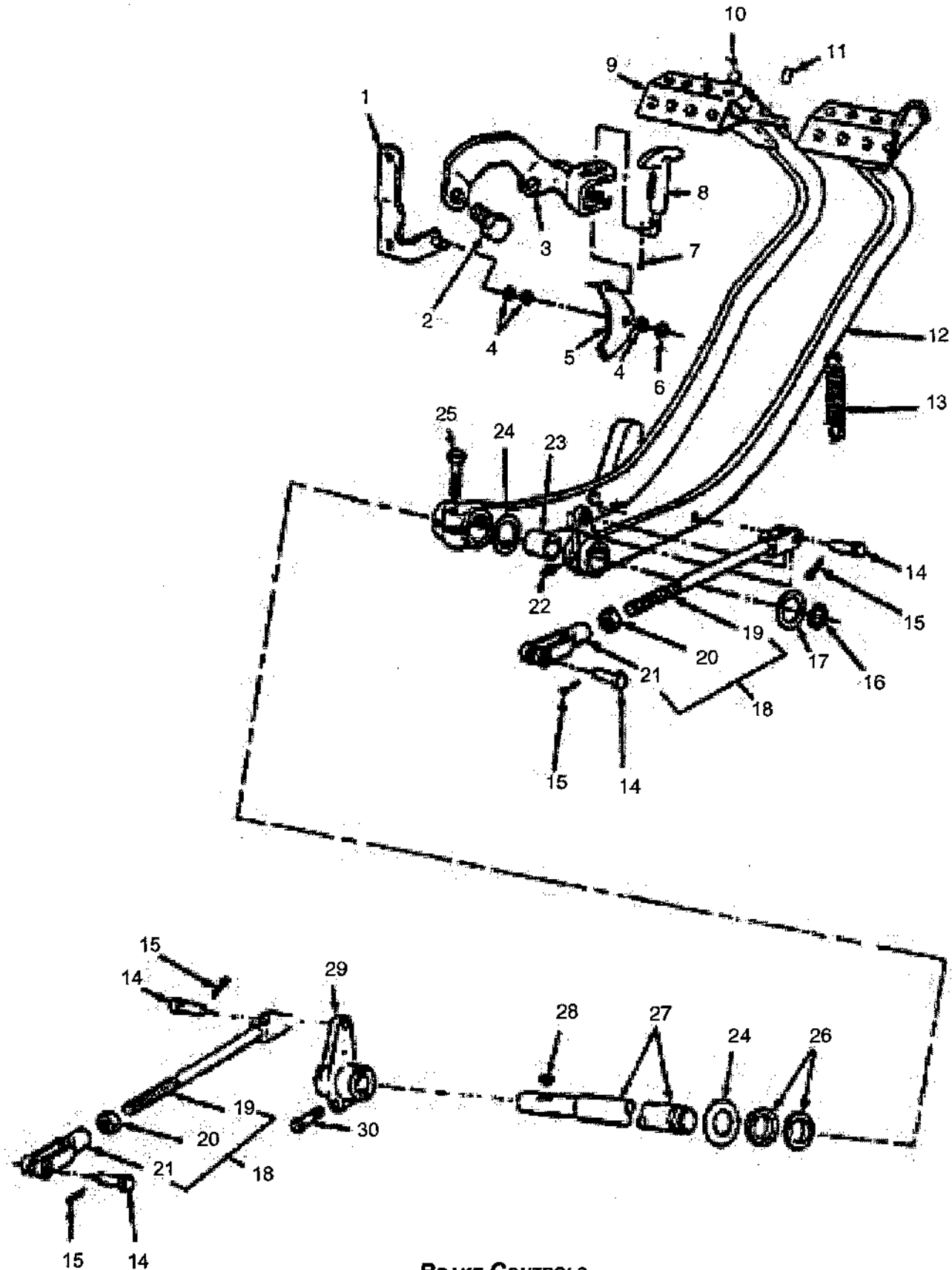
BRAKES - MECHANICAL DISC TYPE

435 / 535

ITEM No	PART No.	DESCRIPTION	VENDOR No.	QUANTITY
				435 535
41	ESL10956	Bush, Support Arm	-	2 2
42	ESL10955	Arm , Camshaft Support, RH	-	1 1
43	ESL10954	Arm , Camshaft Support, LH	-	1 1
44	ESL10953	Lever, Brake Camshaft	-	1 1
45	304890S8	Bolt (7/16 - 14 x 2.50)	-	2 2
46	ESL10952	Clamp, Brake Camshaft	-	1 1
47	ESL10951	Retainer, Brake Camshaft	-	2 2
48	ESL10950	Boot, Brake Camshaft	-	2 2
49	ESL10962	Tube & Breather Assembly	-	2 2

BRAKES - MECHANICAL DISC TYPE

435 / 535



BRAKE CONTROLS

9:5

☒ - SERIAL NUMBER BREAK, ✓ - INDICATES UP TO AND INCLUDING THAT SERIAL NUMBER

435 / 535

ITEM No	PART No.	DESCRIPTION	VENDOR No.	QUANTITY	
				435	535
1	ESL10966	Bracket, Parking Pawl	-	1	1
2	304724S8	Bolt, Hex (7/16 - 14 x 1.25)	-	2	2
-	304686S8	Bolt, Hex (7/16 - 14 x 1.00)	-	2	2
3	ESL10969	Bracket, Parking Brake Control	-	1	1
4	354235S8	Washer, Flat (1/2)	-	3	3
5	ESL10970	Pawl, Parking Brake Lever	-	1	1
6	ESL10971	Ring Retaining (1/2)	-	1	1
7	72003S8	Pin Cotter (1/16 x 1/2)	-	1	1
8	ESL10967	Rod, Parking Brake Control	-	1	1
9	ESL10979	Pedal Assembly, Brake LH	D10087310	1	1
10	ESL10978	Handle, Brake Pedal Interlock	-	1	1
11	ESL11924	Pin, Spring Roll (1/8 x 4.37)	-	1	1
12	ESL10980	Pedal Assembly, Brake RH	-	1	1
13	ESL13342	Spring, Pedal Retainer	-	2	2
14	73919S8	Pin, Clevis (3/8 x 1.14)	-	4	4
15	72017S8	Pin, Cotter (1/8 x 0.75)	-	4	4
16	ESL10983	Lock Ring, Pedal Shaft	-	1	1
17	ESL11701	Washer Thrust, Pedal Shaft	-	1	1
18	ESL10984	Rod & Clevis Assembly	-	1	1
19	-	Rod Clevis, Brake Control (NSS)	-	2	2
20	33925S8	Nut, Hex (3/8 - 24)	-	2	2
21	97013S8	Clevis (3/8 - 24 x 2.50)	-	2	2
22	ESL10868	Grease Nipple (1/4 - 28)	-	1	1
23	ESL10847	Bush Set, Brake Pedal Shaft	-	1	1
24	ESL11700	Washer, Brake Pedal Shaft	-	2	2
25	304743S8	Bolt, Hex (7/16 - 14 x 1 3/8)	-	1	1
26	ESL10977	Seal, Brake Pedal Shaft	-	2	2
27	ESL10974	Shaft, Brake Cross	-	1	1
28	74181S8	Key, Lever to Shaft (1/4 x 7/8)	-	2	2
29	ESL10972	Lever, Pedal Shaft to Clevis	-	1	1
30	58655S8	Bolt, Hex (7/16 - 14 x 1.50)	-	1	1

BRAKE CONTROLS

Notes

435 / 535 DTC

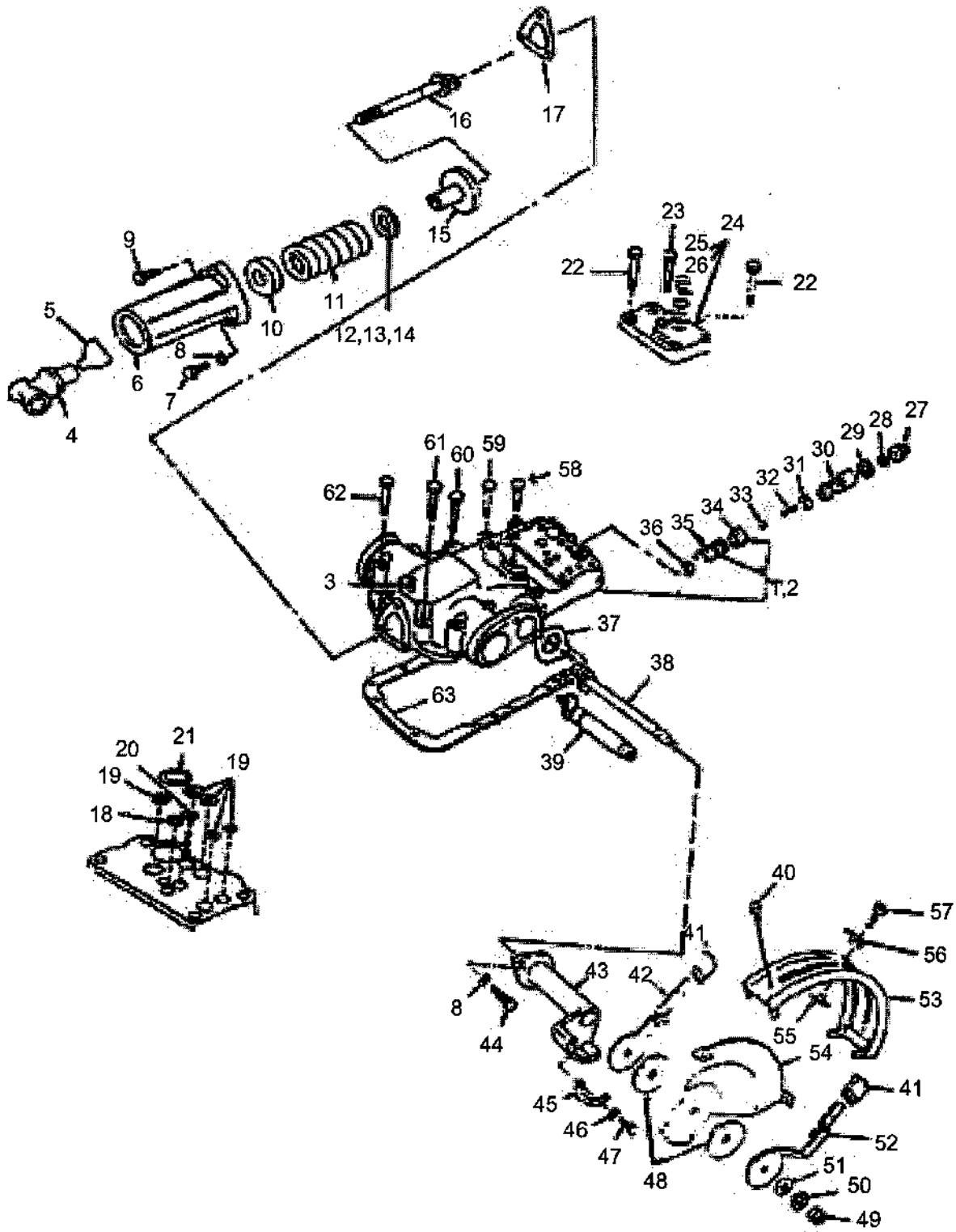
SECTION 10

HYDRAULIC SYSTEM

FARMTRAC

DRIVING TRADITION TO TOMORROW

435 / 535



HYDRAULIC LIFT COVER

10:1

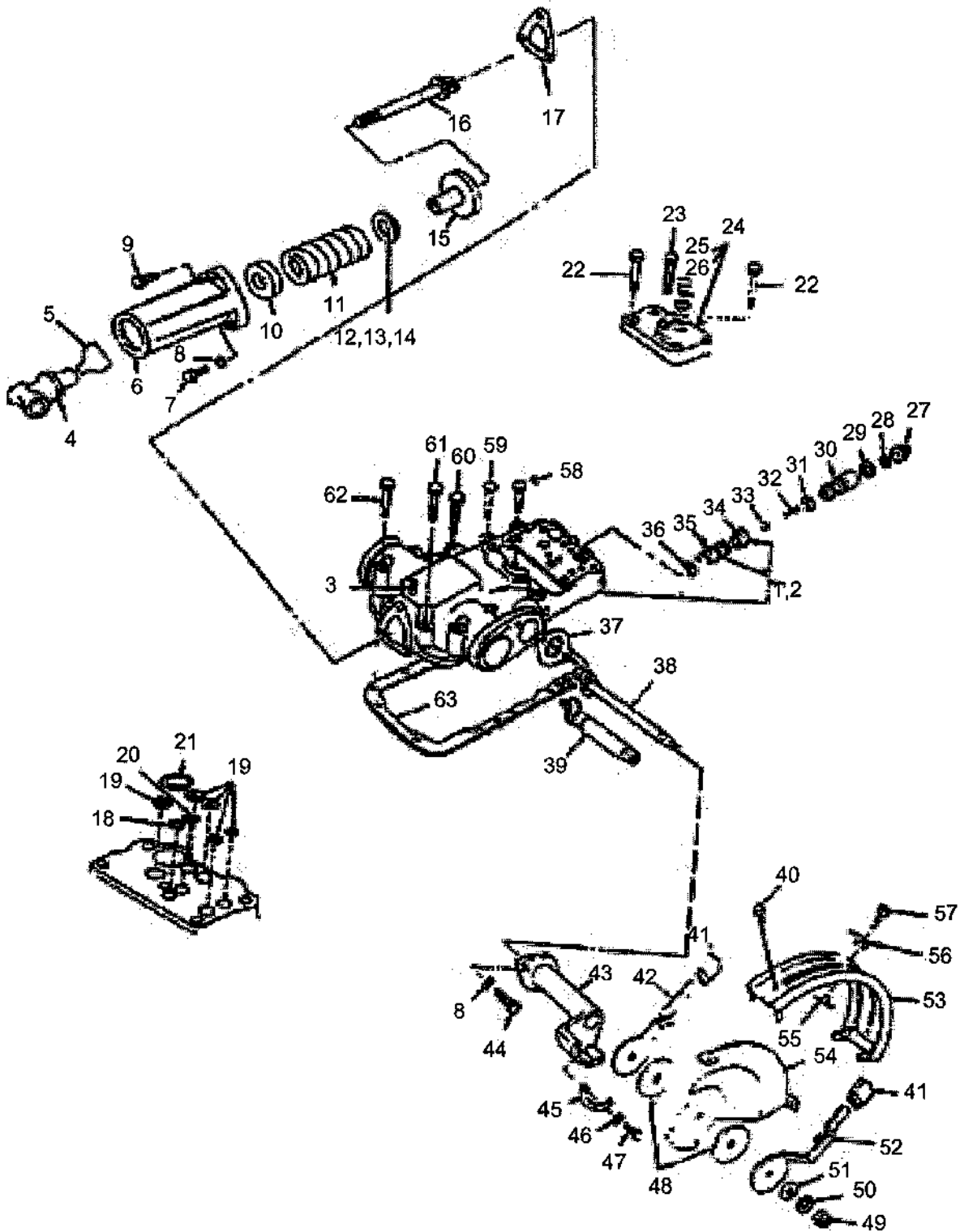
⊗ - SERIAL NUMBER BREAK, ↙ - INDICATES UP TO AND INCLUDING THAT SERIAL NUMBER

435 / 535

ITEM No	PART No.	DESCRIPTION	VENDOR No.	QUANTITY
				435 535
1	ESL11028	Hydraulic Lift Assembly	-	1 1
2	ESL10985	Top Cover, Hydraulic Lift	-	1 1
3	ESL12496	Pin	-	1 1
4	ESL11014	Yoke, Hydraulic Lift	-	1 1
5	ESL11016	Boot Yoke, Hydraulic Lift	-	1 1
6	ESL11017	Housing, Draft Control	-	1 1
7	381714-S36	Bolt (7/16 - 14 x 2.88)	-	2 2
8	34793S8	Washer, Lock (7/16)	-	3 3
9	ESL11763	Bolt	-	1 1
10	ESL11018	Seat, Draft Control Spring	-	1 1
11	ESL11019	Spring, Lift Draft Control	-	1 1
12	ESL11020	Shim, Draft Control (0.015)	-	AR AR
13	ESL11021	Shim, Draft Control (0.020)	-	AR AR
14	ESL11022	Shim, Draft Control (0.025)	-	AR AR
15	ESL11023	Seat, Hydraulic Lift Spring	-	1 1
16	ESL11024	Plunger, Draft Control	-	1 1
17	ESL11025	Gasket, Draft Control Housing	-	1 1
18	ESL10011	Seal 'O' Ring (0.5 x 0.07)	-	1 1
19	ESL10008	Seal 'O' Ring (9/16 x 0.103)	-	5 5
20	ESL10010	Seal 'O' Ring (0.437 x 0.07)	-	1 1
21	ESL10992	Seal 'O' Ring (13/16 x 0.103)	-	1 1
22	379409S8	Bolt (7/16 - 14)	-	2 2
23	304777S8	Bolt, Hex (5/16 - 18 x 1.5)	-	1 1
24	ESL10989	Cover Assembly, Hydraulic Lift (Includes Items #25,26)	-	1 1
25	371433S8	Bolt, Hex (9/16 - 18 x 0.62)	-	1 1
26	ESL10990	Seal, ASC Cover (9/16)	-	1 1
27	ESL11008	Plug, Lift Check Valve	-	1 1
28	ESL11010	Seal (0.364 x 0.066)	-	2 2
29	ESL11011	Seal (0.489 x 0.066)	-	2 2
30	ESL11009	Retainer, Lift Check Valve	-	1 1
31	ESL10901	'O'Ring (0.62 x 0.13)	-	1 1
32	ESL11012	Spring, Lift Check Valve	-	1 1
33	ESL11013	Ball (15/32)	-	1 1
34	ESL10986	Seat, Check Valve	-	1 1
35	ESL10987	Sleeve, Check Valve	-	1 1
36	ESL10988	'O' Ring, Seal	-	1 1
37	ESL10998	Gasket	-	1 1

HYDRAULIC LIFT COVER

435 / 535



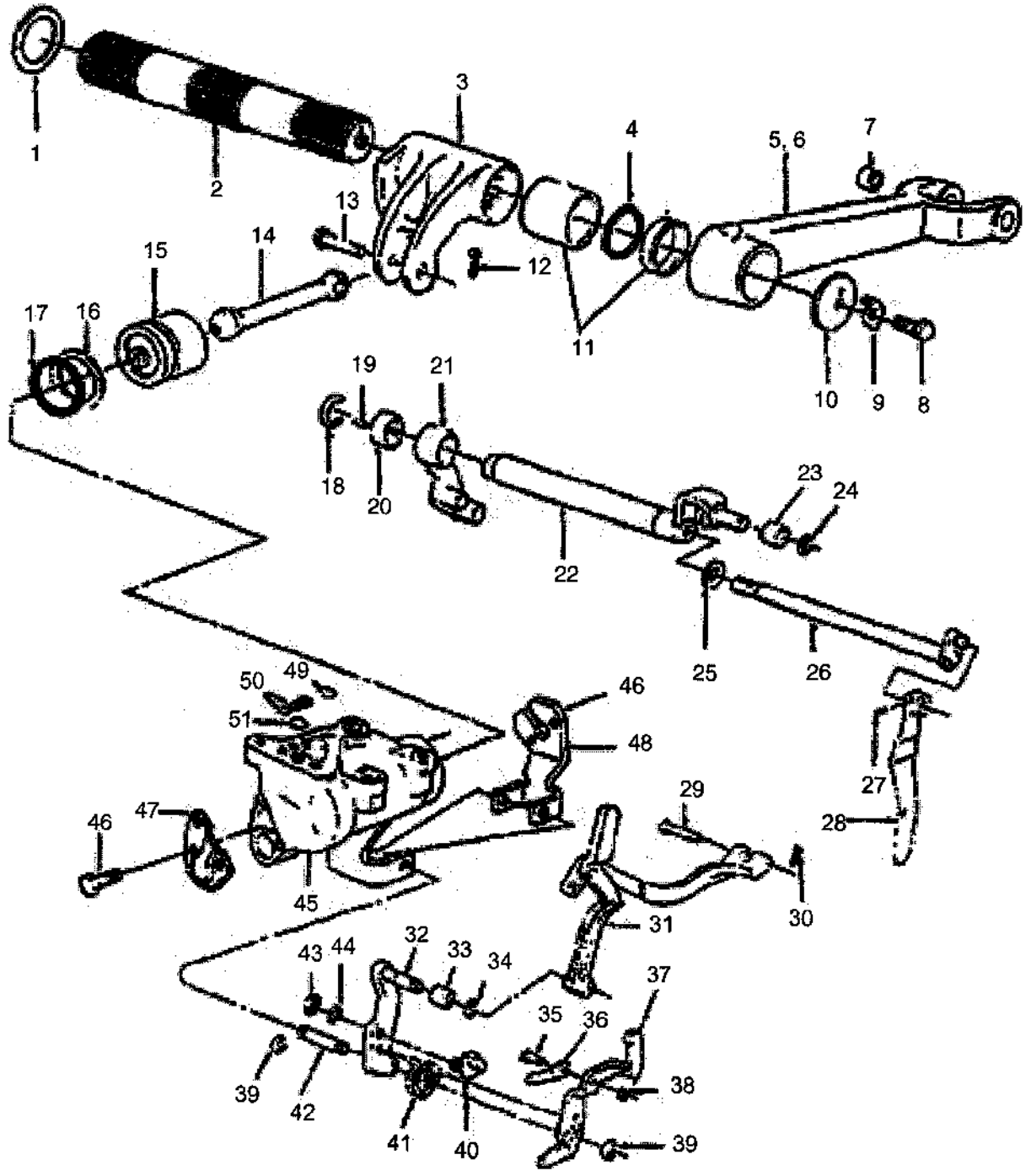
HYDRAULIC LIFT COVER

435 / 535

ITEM No	PART No.	DESCRIPTION	VENDOR No.	QUANTITY	
				435	535
38	ESL10996	Shaft, Lift Control Lever	-	1	1
39	ESL10994	Shaft, Draft Selection	-	1	1
40	56801S8	Bolt, Hex Head (1/4 - 20 x 0.5)	-	2	2
41	ESL11005	Knob, Handle	-	2	2
42	ESL11003	Handle, Draft Control	-	1	1
43	ESL10997	Quadrant, Lift Control	-	1	1
44	304686S8	Bolt, Hex (7/16 - 14 x 1.00)	-	2	2
45	ESL11001	Spacer, Control Lever	-	AR	AR
46	34792S8	Washer, Lock (3/8)	-	2	2
47	304722S8	Bolt, Hex (3/8 - 16 x 1.25)	-	2	2
48	ESL10999	Disc, Lift Control Friction	-	2	2
49	34422S8	Nut, Hex Lock (7/16 - 20)	-	1	1
50	ESL11703	Washer, Spring	-	1	1
51	ESL11702	Washer, Shaft Cup	-	1	1
52	ESL11004	Handle, Position Control	-	1	1
53	ESL11002	Quadrant, Lift Control	-	1	1
54	ESL11000	Plate, Lift Control	-	1	1
55	34464S8	Nut, Tee	-	1	1
56	ESL11006	Stop, Lift Control Lever	-	1	1
57	ESL11007	Knob, Lift Control Stop	-	1	1
58	58655S8	Bolt, Hex (7/16 - 14 x 1.50)	-	3	3
59	379414S8	Bolt, Hex (7/16 - 20 x 1.75)	-	3	3
60	58657S8	Bolt, Hex (7/16 - 14 x 2.00)	-	1	1
61	58662S8	Bolt, Hex (7/16 - 14 x 3.25)	-	4	4
62	58663S8	Bolt, Hex (7/16 - 14 x 3.50)	-	5	5
63	ESL10841	Gasket, Hydraulic Lift Cover	-	1	1

HYDRAULIC LIFT COVER

435 / 535



HYDRAULIC LIFT SHAFTS

10:5

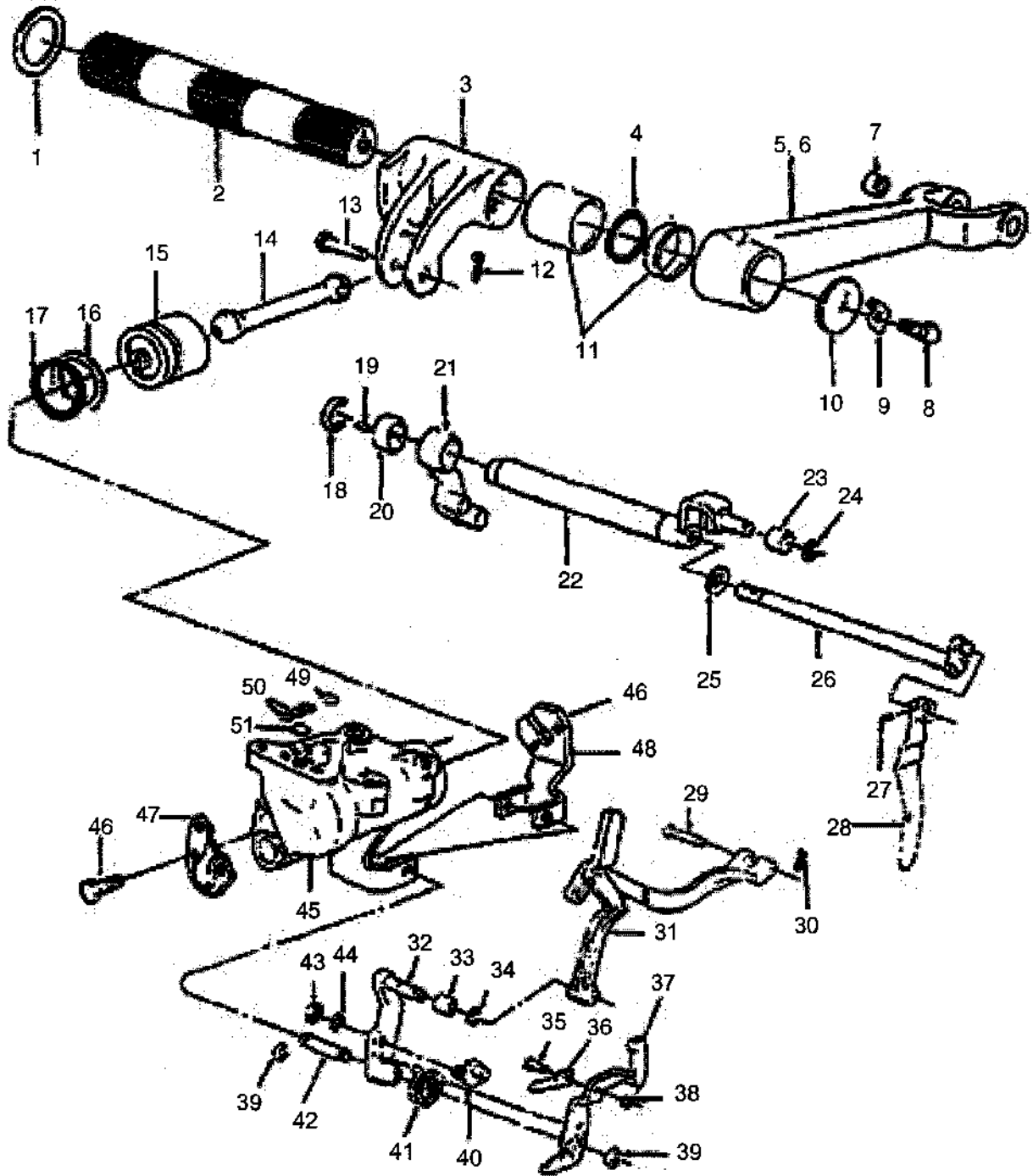
⊗ - SERIAL NUMBER BREAK, ↙ - INDICATES UP TO AND INCLUDING THAT SERIAL NUMBER

435 / 535

ITEM No	PART No.	DESCRIPTION	VENDOR No.	QUANTITY	
				435	535
1	ESL11704	Washer, Lift Shaft Thrust	-	1	1
2	ESL11070	Shaft, Hydraulic Lift	-	1	1
3	ESL11069	Arm, Hydraulic Lift Ram	-	1	1
4	ESL11073	'O' Ring (2.00 x 0.21)	-	2	2
5	ESL11074	Arm Assembly RH, Hydraulic (Includes Item #7)	-	1	1
6	ESL11075	Arm Assembly LH, Hydraulic (Includes Item #7)	-	1	1
7	ESL11076	Bush, Hydraulic Lift Arm	-	4	4
8	304689S8	Bolt, Hex Head (1/2 - 20 x 1.00)	-	2	2
9	ESL11706	Washer, Lock	-	2	2
10	ESL11705	Washer	-	2	2
11	ESL11098	Bush, Hydraulic Lift Shaft (Consist of 2 each)	-	2	2
12	72005S8	Pin, Cotter (1/8 x 0.50)	-	1	1
13	74034S8	Pin, Clevis (5/16 x 2.0)	-	1	1
14	ESL11077	Rod, Connecting Hydraulic Lift	-	1	1
15	ESL11078	Piston, Hydraulic Lift Cylinder	-	1	1
16	ESL11079	'O' Ring, Hydraulic Lift Piston	-	1	1
17	ESL11080	Sealing Ring, Hydraulic Lift Piston	-	1	1
18	ESL11085	Ring, Control Shaft Retainer	-	1	1
19	ESL11211	Key, Cam	-	1	1
20	ESL10995	Cam, FC Valve Override Actuator	-	1	1
21	ESL11084	Lever Assembly, Lift Position Control	-	1	1
22	ESL10994	Shaft Assembly, Draft Control Selection	-	1	1
23	ESL11082	Roller, Lift Position Cam	-	1	1
24	ESL11083	Ring, Retainer (3/8)	-	1	1
25	ESL11707	Washer, Lift Shaft Thrust	-	1	1
26	ESL10996	Shaft, Lift Control Lever	-	1	1
27	305052S8	Pin, Spring Roll (1/8 x 0.75)	-	1	1
28	ESL11086	Lever, Hydraulic Lift Control	-	1	1
29	379276S8	Pin, Clevis (3/8 - 1 - 21/32)	-	1	1
30	72017S8	Pin, Cotter (1/8 - 0.75)	-	1	1
31	ESL11088	Lever Assembly, Draft Control	-	1	1
32	ESL11087	Lever Assembly, Lift Control Valve	-	1	1
33	ESL11089	Roller, Cam Flow	-	1	1
34	97470-S8	Ring, Snap (7/16)	-	2	2
35	ESL11094	Pin, Lift Actuator Pivot	-	1	1
36	ESL11093	Actuator, Lift Valve	-	1	1
37	ESL11092	Lever, Lift Control Valve	-	1	1
38	97410-S	Ring, Retaining (5/16)	-	1	1
39	97413-S8	Ring, Retaining (1/2)	-	2	2
40	ESL11091	Shaft, Hydraulic Lift Control Lever	-	1	1

HYDRAULIC LIFT SHAFTS

435 / 535



HYDRAULIC LIFT SHAFTS

10:7

⊗ - SERIAL NUMBER BREAK, ↙ - INDICATES UP TO AND INCLUDING THAT SERIAL NUMBER



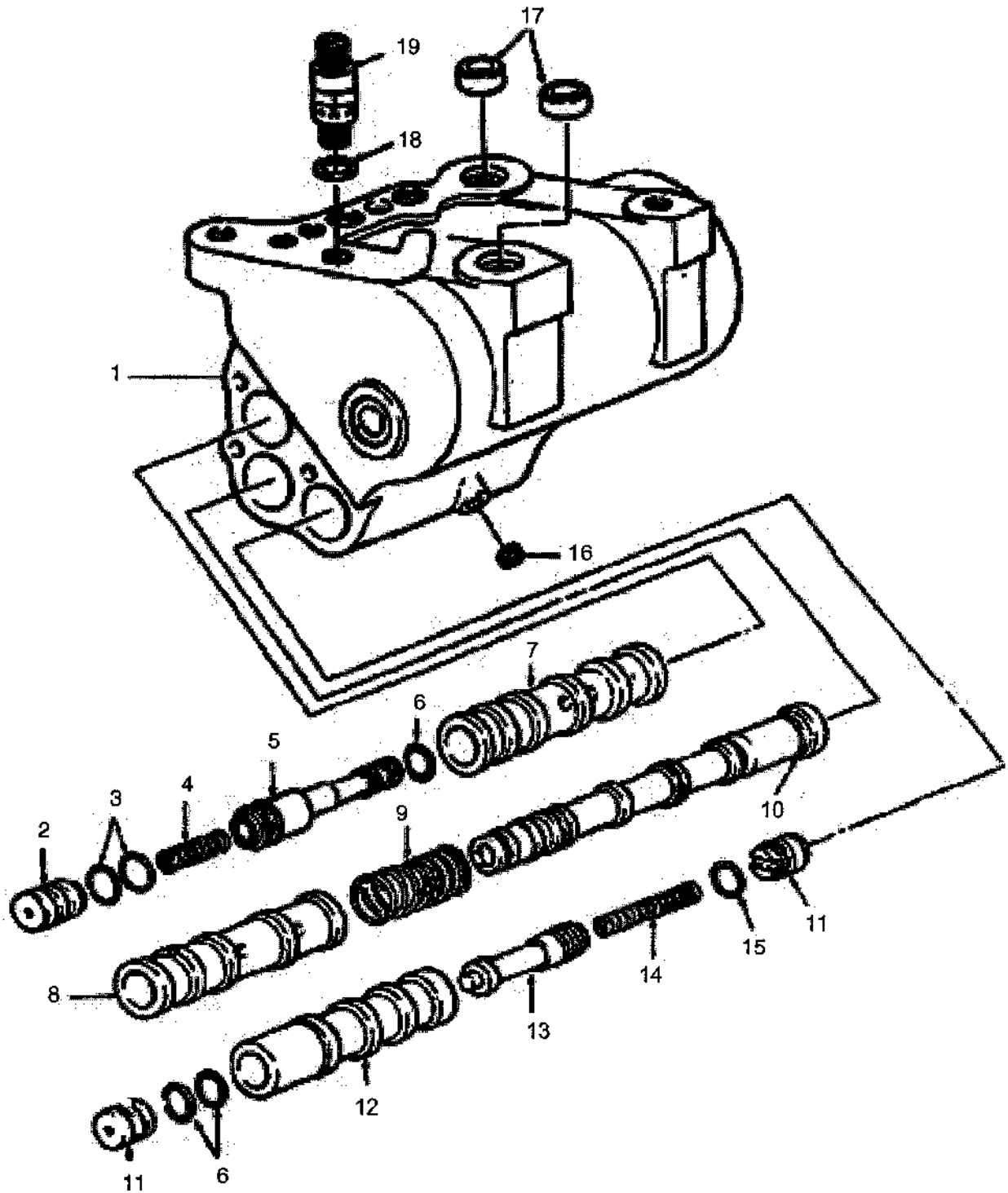
HYDRAULIC SYSTEM

435 / 535

<i>ITEM No</i>	<i>PART No.</i>	<i>DESCRIPTION</i>	<i>VENDOR No.</i>	<i>QUANTITY</i>	
				435	535
41	ESL11096	Spring, Lift Control Valve	-	1	1
42	ESL11094	Pin, Lift Actuator Pivot	-	1	1
43	33799S8	Nut, Hex (3/8-16)	-	1	1
44	34792S8	Washer, Lock (3/8)	-	1	1
45	ESL11067	Cylinder & Valve Assembly (Includes Items #46-48)	-	1	1
46	389873S8	Bolt, Hex Flange (5/16 - 18 x 0.75)	-	6	6
47	ESL11081	Baffle, Lift Cylinder Oil	-	1	1
48	ESL11066	Plate, Valve Retainer, Rear	-	1	1
49	ESL10011	Seal 'O'Ring	-	2	2
50	87006-S95	Seal 'O'Ring	-	2	2
51	ESL10010	Seal 'O'Ring	-	1	1

HYDRAULIC LIFT SHAFTS

435 / 535



HYDRAULIC LIFT CYLINDER



HYDRAULIC SYSTEM

435 / 535

ITEM No	PART No.	DESCRIPTION	VENDOR No.	QUANTITY
				435 535
1	ESL10067	Cylinder & Valve Assembly	-	1 1
2	ESL11029	Plug, Lift Unload Valve	-	1 1
3	ESL11030	'O' Ring (0.562 x 0.07)	-	2 2
4	ESL11031	Spring, Lift Unload Valve	-	1 1
5	ESL11032	Bushing, Unload Valve Rear (White) (NSS)	-	1 1
6	ESL10011	'O' Ring (0.5 x 0.07)	-	3 3
7	-	Bushing, Unload Valve Rear (NSS)	-	1 1
8	-	Bushing, Control Valve (NSS)	-	1 1
9	ESL11061	Spring, Control Valve	-	1 1
10	-	Valve & Sleeve Assembly (White) (NSS)	-	1 1
11	ESL11046	Plug, Lift Feathering Valve	-	2 2
12	-	Bushing Feathering Valve (NSS)	-	1 1
13	-	Feathering Valve (NSS)	-	1 1
14	ESL11047	Spring, Lift Feathering Valve	-	1 1
15	ESL10010	'O'Ring (0.437 x 0.07)	-	1 1
16	ESL11065	Plug, Pipe (1/8-27)	-	4 4
17	ESL11064	Ring, Hydraulic Cylinder Dowel	-	2 2
18	ESL11063	Gasket, Lift Safety Valve	-	1 1
19	ESL11062	Valve Assembly, Lift Safety	-	1 1

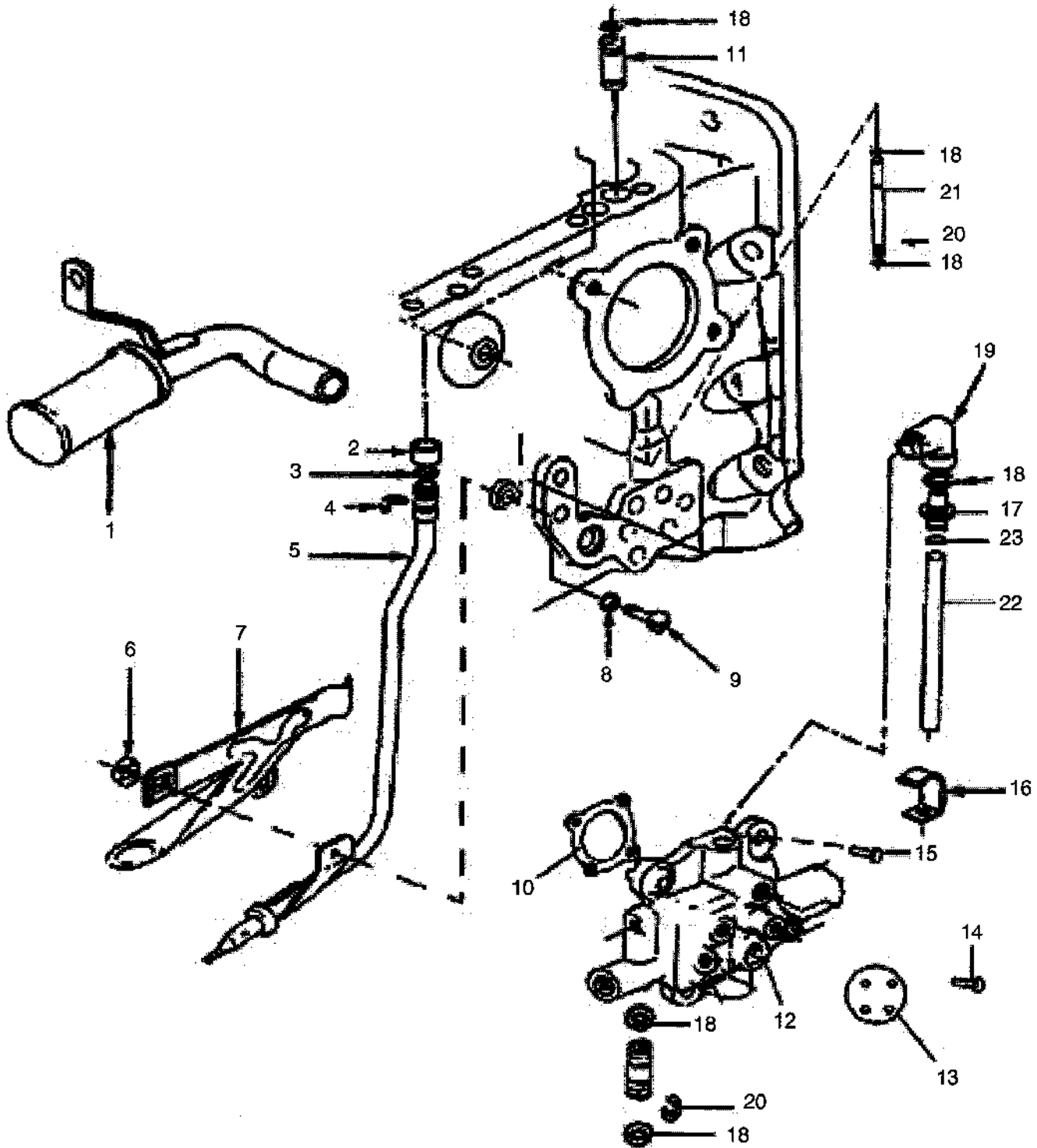
HYDRAULIC LIFT CYLINDER

⊖ - SERIAL NUMBER BREAK ,

↙ - INDICATES UP TO AND INCLUDING THAT SERIAL NUMBER

10:10

435 / 535



HYDRAULIC FLOW SYSTEM

10:11

☹ - SERIAL NUMBER BREAK , ✓ - INDICATES UP TO AND INCLUDING THAT SERIAL NUMBER



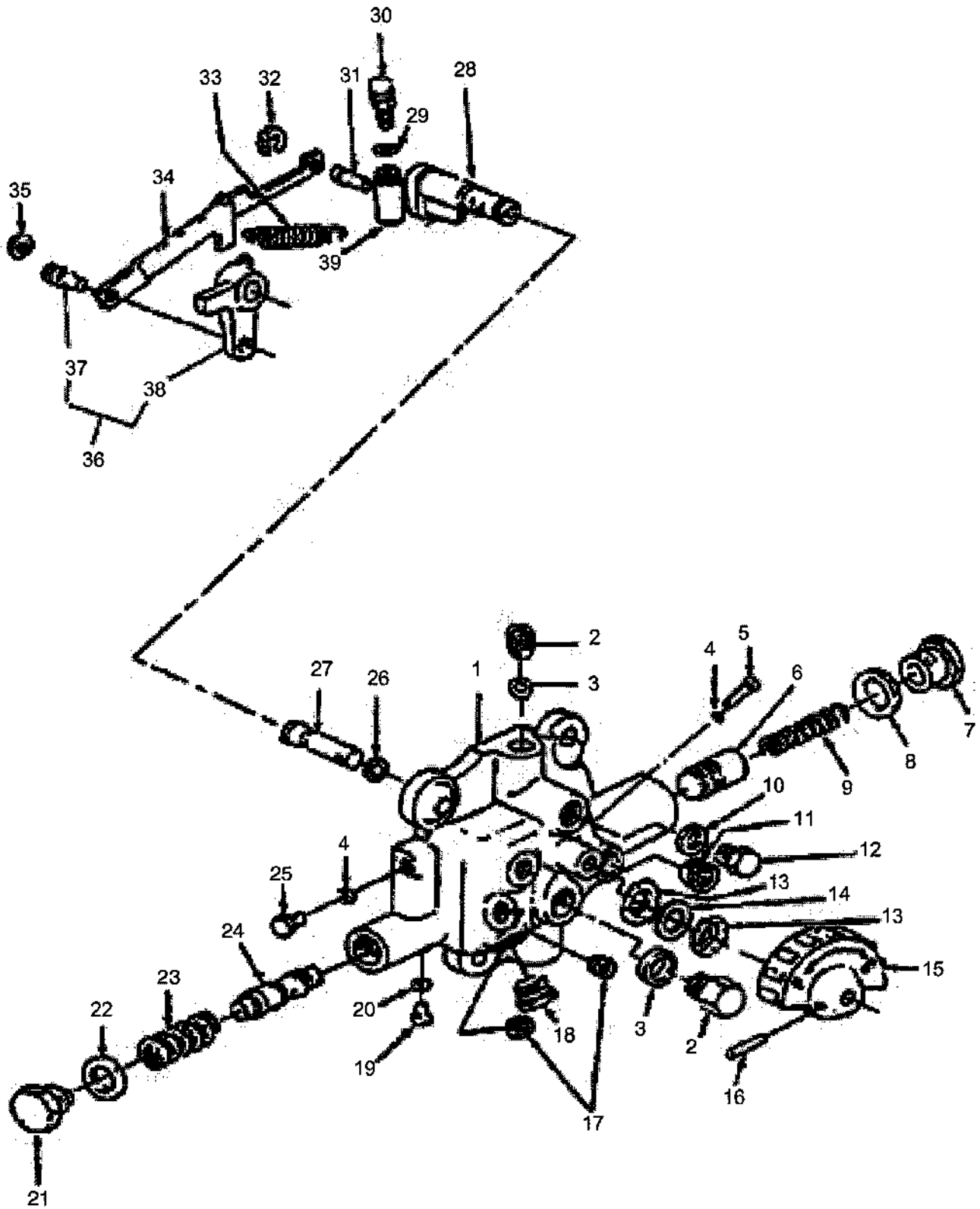
HYDRAULIC SYSTEM

435 / 535

ITEM No	PART No.	DESCRIPTION	VENDOR No.	QUANTITY
				435 535
1	ESL11112	Filter & Pipe Assembly, Intake	-	1 1
2	ESL11107	Spacer, Sump Return	-	1 1
3	ESL11109	Seal 'O' Ring (0.437 x 0.07)	-	1 1
4	ESL11108	Retainer, Return Pipe	-	2 2
5	ESL11106	Tube, Lift Sump Return	-	1 1
6	ESL14485	Nut (5/16 - 24)	-	1 1
7	ESL11110	Tube and Bracket Assembly	-	1 1
8	ESL11111	Seal, Oil Passage (5/16)	-	1 1
9	38308S8	Screw, Pan Head (5/16 - 24 x 1.12)	-	1 1
10	ESL11202	Gasket, Flow Control Valve	-	- 1
-	ESL11970	Gasket, Cover FCV Opening	-	1 -
11	ESL11099	Tube, Hydraulic	-	- 2
12	ESL11212	Valve, Flow Control	-	- 1
13	ESL11969	Cover, Flow Control Valve Opening	-	1 -
14	304668S8	Bolt, Hex Head (7/16-14x0.875)	-	4 -
15	304686S8	Bolt, Hex Head (7/16-14x1.00)	-	- 4
16	ESL11104	Clip	-	1 1
17	ESL12435	Tube, Hydraulic Oil	-	- 1
18	ESL10011	'O' Ring	-	2 4
19	ESL14586	Elbow, Oil Flow Control Tube	-	- 1
20	ESL11103	Ring, Snap	-	1 1
21	ESL11101	Tube, Hydraulic Lift Pressure	-	1 -
-	ESL11102	Tube, Hydraulic Lift Pressure	-	- 1
22	ESL12253	Hose, Flow Control Valve	-	- 1
23	ESL14483	Clamp	-	- 1

HYDRAULIC FLOW SYSTEM

435 / 535



FLOW CONTROL VALVE

10:13

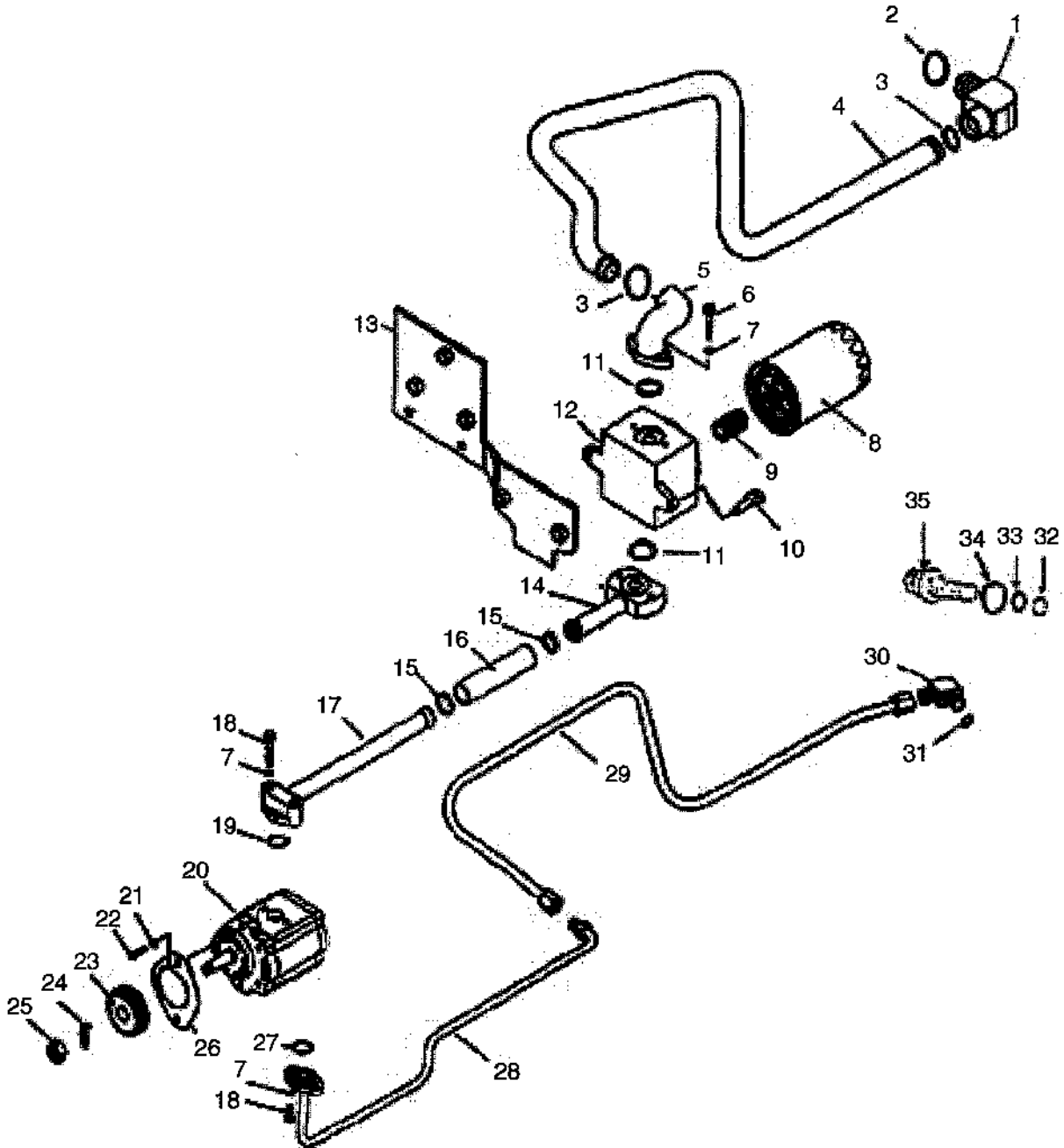
☺ - SERIAL NUMBER BREAK, ↙ - INDICATES UP TO AND INCLUDING THAT SERIAL NUMBER

435 / 535

ITEM No	PART No.	DESCRIPTION	VENDOR No.	QUANTITY
				435 535
1	ESL11212	Flow Control Valve Assembly	-	1
2	ESL11185	Plug	-	1
3	ESL11186	Seal	-	1
4	ESL11193	Seal, Hydraulic Oil (1/4)	-	2
5	ESL11192	Pin, Restrictor Retainer	-	1
6	ESL11201	Spool, Valve Assembly	-	1
7	ESL11198	Plug	-	1
8	ESL11199	Seal	-	1
9	ESL11200	Spring, Valve Assembly	-	1
10	ESL11187	Seal, Hydraulic Oil (7/16)	-	1
11	ESL11189	Plug	-	1
12	ESL11926	Bolt	-	1
13	373573S8	Spring Washer	-	2
14	44730S8	Washer	-	1
15	ESL11183	Knob, Flow Control Valve	-	1
16	ESL11184	Roll Pin	-	1
17	ESL11188	Plug	-	2
18	ESL11191	Plug	-	1
19	ESL11879	Screw	-	1
20	ESL11190	Seal	-	1
21	ESL11194	Plug, Valve Plunger	-	1
22	ESL11195	Seal (3/4)	-	1
23	ESL11196	Spring, Valve Plunger	-	1
24	-	Plunger, Flow Control Valve (NSS)	-	1
25	ESL11765	Bolt	-	1
26	ESL11182	Seal	-	1
27	ESL11181	Restrictor Shaft	-	1
28	ESL11179	Restrictor	-	1
29	ESL11204	Shim, Flow control Valve	-	AR
30	ESL11203	Follower, Flow Control Valve	-	1
31	ESL11180	Pin	-	1
32	ESL11207	Ring	-	1
33	ESL11208	Spring, Hydraulic Lift Tension	-	1
34	ESL11209	Link, Flow Control Valve Retainer	-	1
35	ESL11210	Ring	-	1
36	ESL12279	Lever Assembly	-	1
37	-	Pin (NSS)	-	1
38	-	Lever (NSS)	-	1
39	ESL11205	Adjuster, Flow Control Valve	-	1

FLOW CONTROL VALVE

435 / 535



HYDRAULIC PUMP - 435

10:15



- SERIAL NUMBER BREAK ,



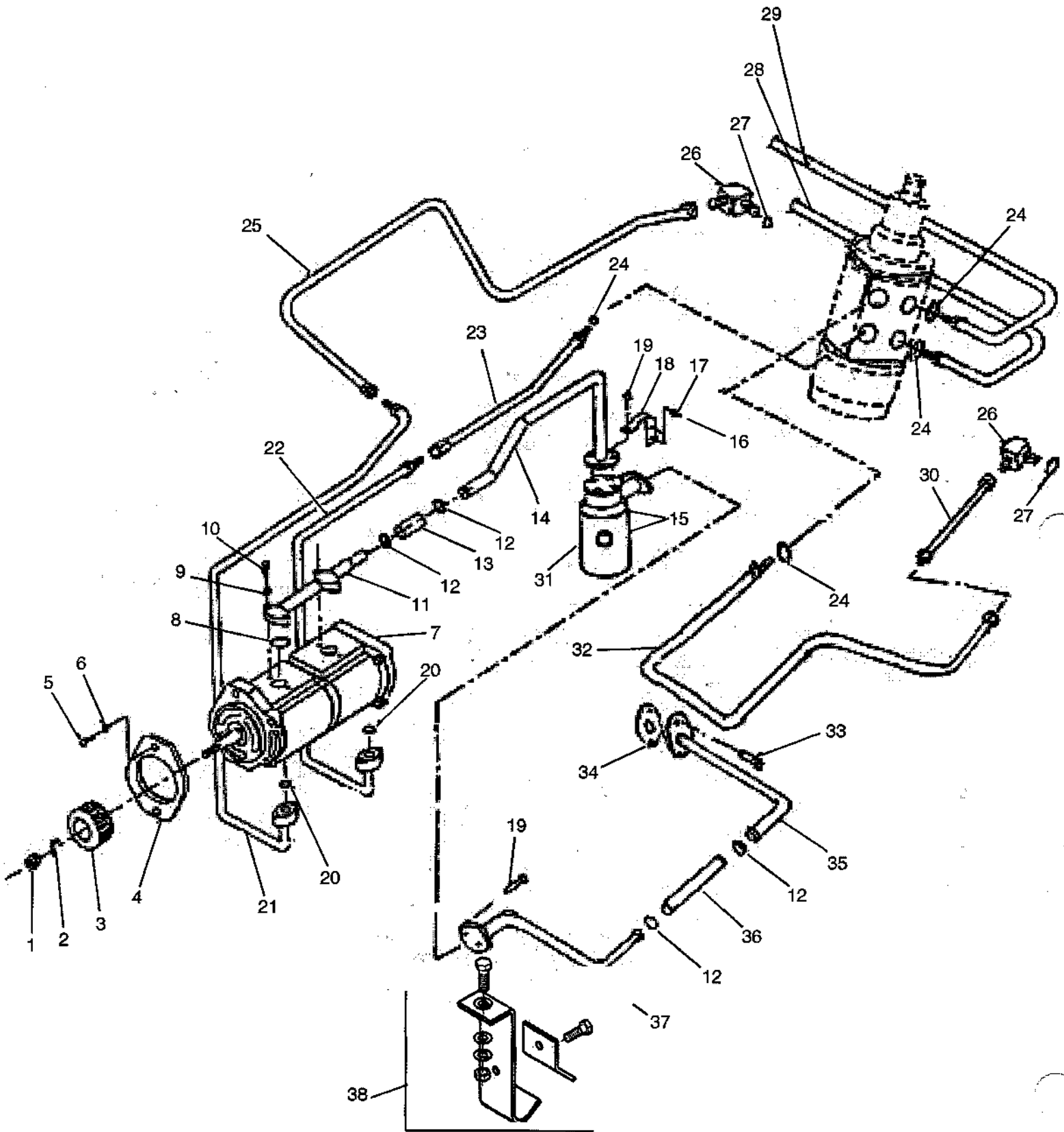
- INDICATES UP TO AND INCLUDING THAT SERIAL NUMBER

435 / 535

ITEM No	PART No.	DESCRIPTION	VENDOR No.	QUANTITY
				435 535
1	ESL11269	Elbow, Pump Inlet	-	1 -
2	ESL11270	'O'Ring	-	1 -
3	ESL11238	'O'Ring	-	2 -
4	ESL14486	Tube Assembly Housing to Filter	-	1 -
5	ESL14487	Flange	-	1 -
6	N605532S8	Bolt	-	2 -
7	N630173S8	Washer, Lock	-	6 -
8	ESL11255	Hydraulic Filter	-	1 -
9	ESL13284	Adapter Hydraulic Filter	-	1 -
10	N605559S8	Bolt (M12-1.75x30)	-	2 -
11	ESL13672	'O'Ring Adapter	-	2 -
12	ESL14488	Adapter Assembly	-	1 -
13	ESL14489	Bracket Hydraulic Pump Filter	-	1 -
14	ESL14490	Tube Assembly Inlet Filter to Hose	-	1 -
15	ESL14491	Clamp	-	2 -
16	ESL14492	Hose	-	1 -
17	ESL14493	Tube Assembly Inlet Pump to Hose	-	1 -
18	N605536S8	Bolt (M8x45)	-	4 -
19	ESL13280	'O'Ring	-	1 -
20	ESL13281	Hydraulic Pump Assembly	-	1 -
21	34807S8	Washer, Lock 3/8	-	2 -
22	300880S8	Bolt (3/8-16x2,5)	-	2 -
23	ESL14494	Gear Pump Drive	-	1 -
24	ESL14495	Lock Plate	-	1 -
25	ESL14496	Nut	-	1 -
26	ESL14497	Gasket Hydraulic Pump	-	1 -
27	ESL10901	'O'Ring	-	1 -
28	ESL14499	Tube Assembly Pressure Pump to Tube	-	1 -
29	ESL14505	Tube Assembly Center Housing Side	-	1 -
30	86327S8	Elbow	-	1 -
31	ESL14506	'O'Ring	-	1 -
32	ESL11274	'O'Ring	-	1 -
33	ESL11273	'O'Ring	-	1 -
34	ESL11272	'O'Ring	-	1 -
35	ESL11271	Valve Assembly, Pump Relief	-	1 -

HYDRAULIC PUMP = 435

435 / 535



HYDRAULIC PUMP (TANDEM) - 535

10:17

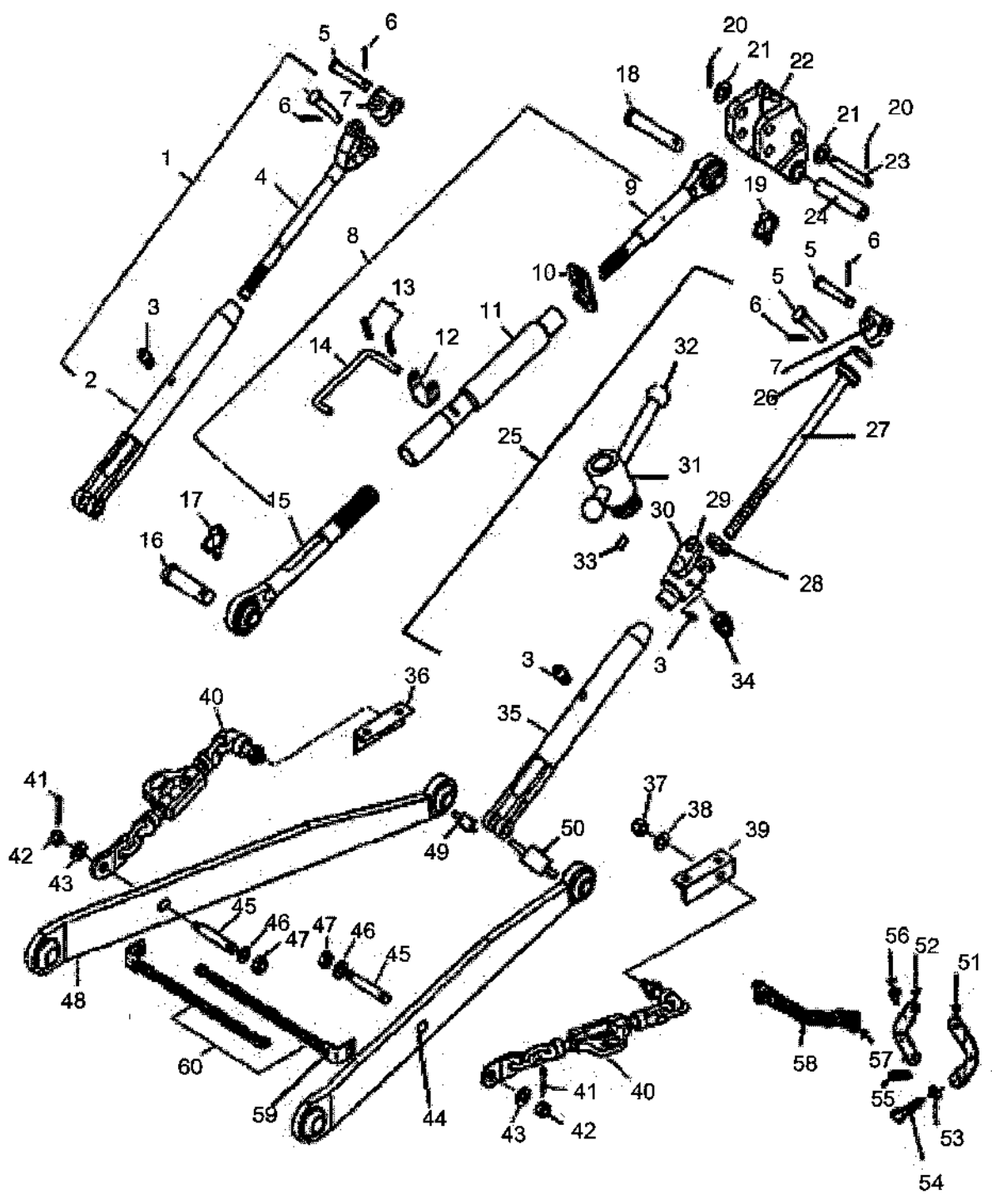
⊗ - SERIAL NUMBER BREAK, ↙ - INDICATES UP TO AND INCLUDING THAT SERIAL NUMBER

435 / 535

ITEM No	PART No.	DESCRIPTION	VENDOR No.	QUANTITY 435 535
1	ESL14496	Nut	2206562AA	- 1
2	ESL14495	Plate Lock	D10101910	- 1
3	ESL15498	Gear Hydraulic Pump Drive	D10106500	- 1
4	ESL14497	Gasket Hydraulic Pump	D10035250	- 1
5	300880-S36	Bolt 3/8-16x2.50 Hex Head	D81000210	- 2
6	34807-S36	Washer 3/8 Spring Lock	D86000010	- 2
7	ESL15497	Hydraulic Pump, Tandem	D10104180	- 1
8	87040S94	Gear, External	D93600150	- 2
9	N630173S8	Washer, Spring Lock (M8)	D86500150	- 4
10	ESL12759	Bolt, Hex Head (M8x1.25x45)	D10046870	- 4
11	ESL15500	Box Hydraulic Pump Inlet Junction	D10104240	- 1
12	ESL10495	Hose Clamp Upper	D10017540	- 4
13	ESL15501	Hose Junction Box Hydraulic Oil	D10100110	- 1
14	ESL15502	Tube Assembly Inlet Filter Adapter To Junction Box Hose	D10105900	- 1
15	ESL15503	Filter And Adapter Assembly	D10100080	- 1
16	304652-S36	Bolt 7/16-14x0.75 Hex Head	D81000450	- 2
17	356420S36	Washer 7/16 Flat	D85000090	- 2
18	ESL15504	Bracket Hydraulic Oil Adapter	D10080030	- 1
19	ESL15505	Screw M8x22 Socket Head	D10100120	- 6
20	87035-S94	Seal 'O' Ring 0.103x0.625	D93600090	- 2
21	ESL15499	Tube Assy. Hyd. Pump To Conn.	D10079900	- 1
22	ESL15511	Tube Assy. Hyd. Pump Rear To Conn.	D10079910	- 1
23	ESL15512	Tube Assy. Conn. To Steering Motor	D10105910	- 1
24	ESL10021	'O' Ring	D93600070	- 4
25	ESL14505	Tube Assy. Center Housing Side	D10013230	- 1
26	86327S8	Elbow 3/4-16 High Pressure Tube Fitting	D91500010	- 2
27	ESL10021	Seal 'O' Ring 0.087x0.644	D93600070	- 2
28	ESL15490	Tube Assy. Steering Cylinder (RH Turn)	D10079950	- 1
29	ESL15491	Tube Assy. Steering Cylinder (LH Turn)	D10079940	- 1
30	ESL15510	Tube Assy. Rear Axle Center Housing To Connector	D10079930	- 1
31	ESL15573	Hydraulic Filter	D10079980	- 1
32	ESL15509	Tube Assy. Steering Motor To Con. Return	D82500070	- 1
33	ESL15514	Screw M8x1.25x15-6.8 Hex Head	D10107030	- 2
34	ESL15513	Gasket Hydraulic Lift Oil Intake	D10079870	- 1
35	ESL15508	Tube Assy. Inlet Center Housing To Hose		- 1
36	ESL15507	Hose Hydraulic Oil Filter	D10100100	- 1
37	ESL15506	Tube Assy. Inlet Filter Adapter To Hose	D10079860	- 1
38	ESL15605	Clamp Assembly, Suction Tube	D10115950	- 1

HYDRAULIC PUMP (TANDEM) - 535

435 / 535



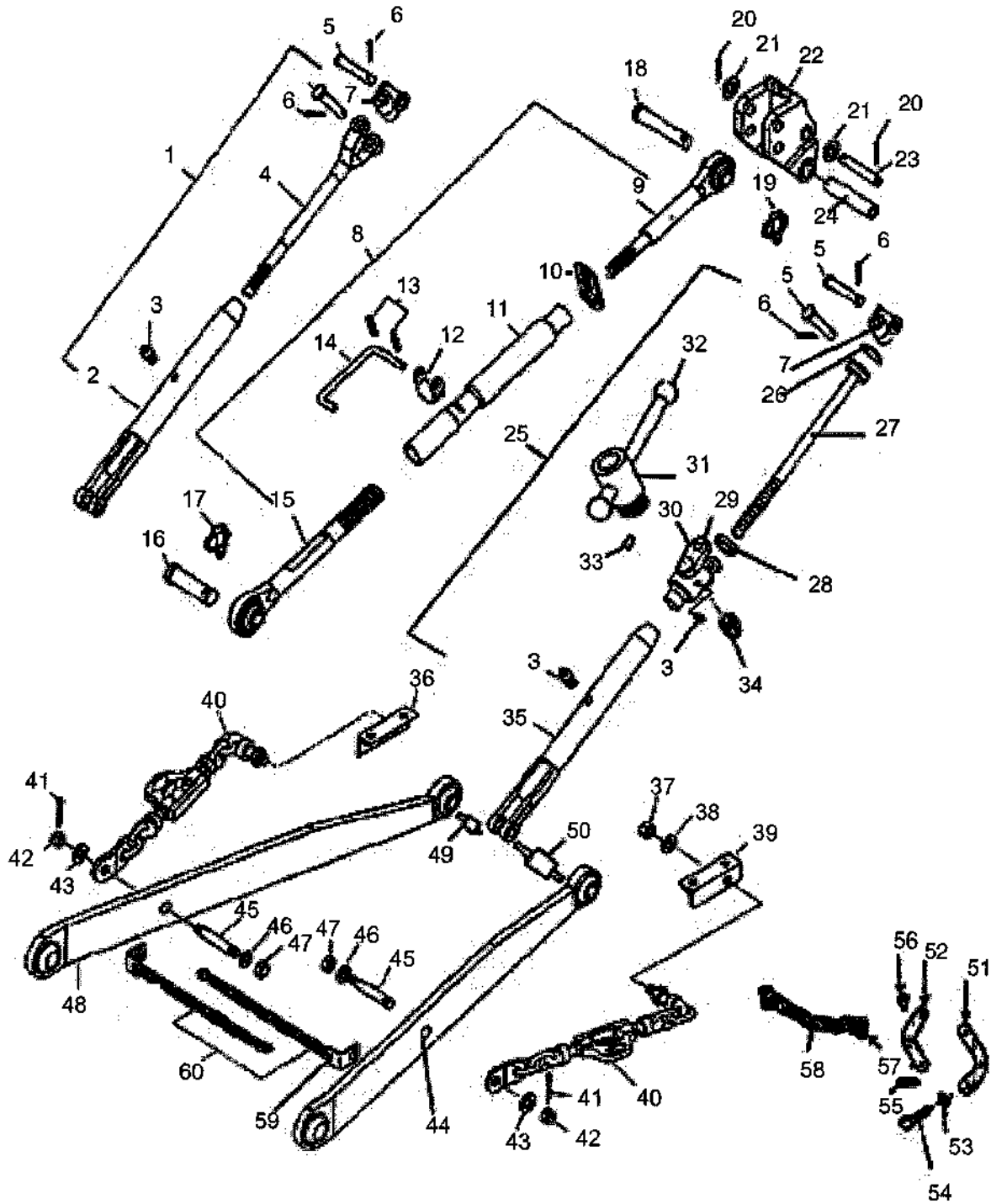
HYDRAULIC LIFT LINKAGES

435 / 535

ITEM No	PART No.	DESCRIPTION	VENDOR No.	QUANTITY 435 535	
1	ESL11164	Rod Assembly, LH	-	1	1
2	-	Fork, Lift Level Rod (NSS)	-	1	1
3	ESL10868	Grease Nipple (1/4-28)	-	3	3
4	-	Rod, Hydraulic Lift Link (NSS)	-	1	1
5	ESL11143	Pin, Link to Lift Arm	-	4	4
6	72035S8	Pin, Cotter (1/8x1.00)	-	4	4
7	ESL11141	Knuckle, Rod Assembly LH	-	2	2
8	ESL14566	Link Assembly, Upper Lift (Catt)	-	1	1
9	ESL11122	Link & Ball, RH Thread	-	1	1
10	ESL11120	Retainer, Upper Lift Link	-	1	1
11	-	Housing, Upper Link (NSS)	-	1	1
12	-	Clamp, Upper Link (NSS)	-	1	1
13	-	Pin (NSS)	-	2	2
14	ESL11117	Latch, Upper Link	-	1	1
15	ESL14588	Link & Ball, LH Thread	-	1	1
16	ESL11125	Pin, Upper Lift Link	-	1	1
17	ESL11126	Pin & Ring Assembly, Linch	-	1	1
18	ESL11125	Pin, Upper Lift Link	-	1	1
19	ESL11126	Pin & Ring Assembly, Linch	-	1	1
20	72055S8	Pin, Cotter (3/16 x 1.25)	-	2	2
21	ESL11708	Washer, Rocker to Yoke Pin	-	2	2
22	ESL11113	Rocker, Hydraulic Lift Upper	-	1	1
23	ESL11115	Pin, Rocker to Yoke Clevis	-	1	1
24	ESL11114	Bush, Hydraulic Lift Rocker	-	1	1
25	ESL11166	Box Assembly, Lift Leveling	-	1	1
26	ESL11159	Plug, Expansion	-	1	1
27	-	Shaft, Lift Leveling Gear (NSS)	-	1	1
28	ESL11147	Bearing Assembly, Lift Lever Gear	-	1	1
29	-	Box Hydraulic Lift Lever (NSS)	-	1	1
30	383904S8	Washer, Spring (0.50)	-	1	1
31	ESL11151	Lever, Hydraulic Lift Leveling	-	1	1
32	ESL11154	Knob, Hydraulic Lift Leveling	-	1	1
33	ESL11155	Rivet	-	1	1
34	ESL11149	Gear, Hydraulic Lift Leveling Lever	-	1	1
35	-	Fork, Lift Level Rod (NSS)	-	1	1
36	900645	Bracket, LH, Check Chain	-	1	1
37	N620016S8	Nut	-	2	2
38	N630072S8	Washer	-	2	2
39	900646	Bracket RH, Check Chain	-	1	1
40	ESL12081	Check Chain & Bracket Assembly	-	2	2

HYDRAULIC LIFT LINKAGES

435 / 535



HYDRAULIC LIFT LINKAGES

435 / 535

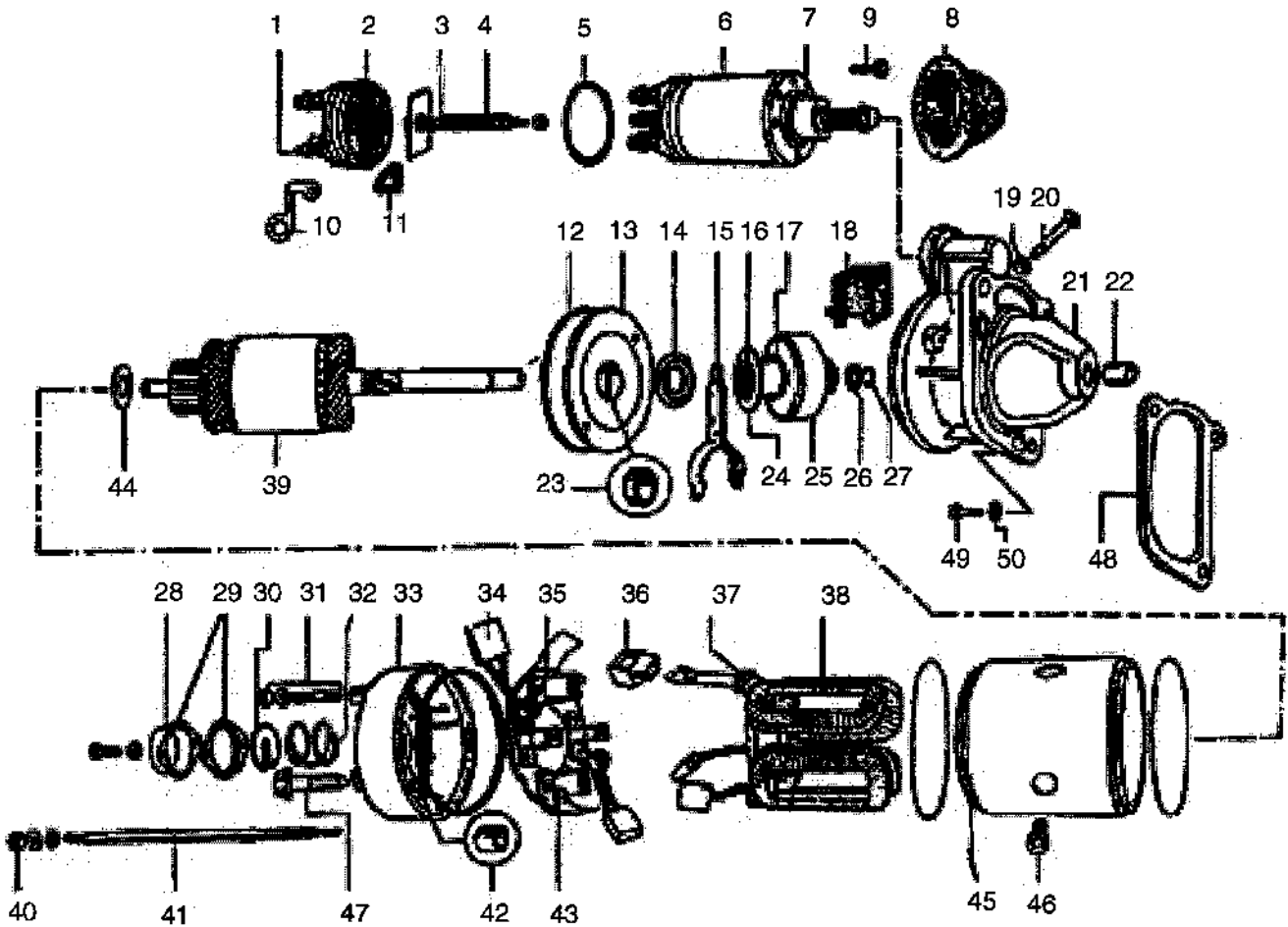
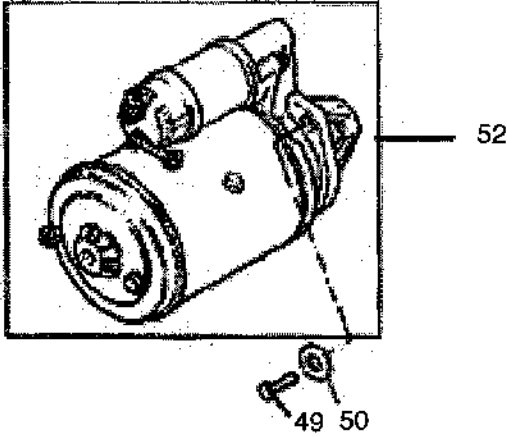
ITEM No	PART No.	DESCRIPTION	VENDOR No.	QUANTITY
				435 535
41	72053S8	Pin, Cotter (1/8-1.25)	-	2 2
42	33987S8	Nut (5/8-18)	-	2 2
43	44742S8	Washer (5/8)	-	2 2
44	ESL15515	Lower Link Assembly RH (CAT I)	D10026130	1 1
45	ESL12087	Pin	-	2 2
46	377184S8	Washer, Flat	-	2 2
47	351090S8	Nut, Hex Lock (7/16-20)	-	2 2
48	ESL15516	Lower Link Assembly LH (CAT I)	D10026120	1 1
49	ESL11134	Shaft, Lower Link Support LH	-	1 1
50	ESL11132	Shaft, Lower Link Support RH	-	1 1
51	ESL11138	Anchor, RH	-	1 1
52	ESL11140	Anchor, LH	-	1 1
53	34808S8	Washer, Lock (7/16)	-	4 4
54	359264S38	Bolt, Hex Head (7/16-14x1.38)	-	4 4
55	380793S8	Pin, Clevis (3/8x1.68)	-	4 4
56	72026S8	Pin, Cotter (1/8-0.875)	-	4 4
57	ESL11136	Clevis, Lower Lift Link	-	4 4
58	ESL11135	Check Chain Assembly, Link	-	2 2
59	-	Bracket, Check Chain Link (NSS)	-	2 2

HYDRAULIC LIFT LINKAGES

Notes

***ELECTRICALS, GAUGES
&
LIGHT SYSTEM***

435 / 535



STARTER MOTOR & RELAY ASSEMBLY



ELECTRICALS, GAUGES & LIGHT SYSTEM

435 / 535

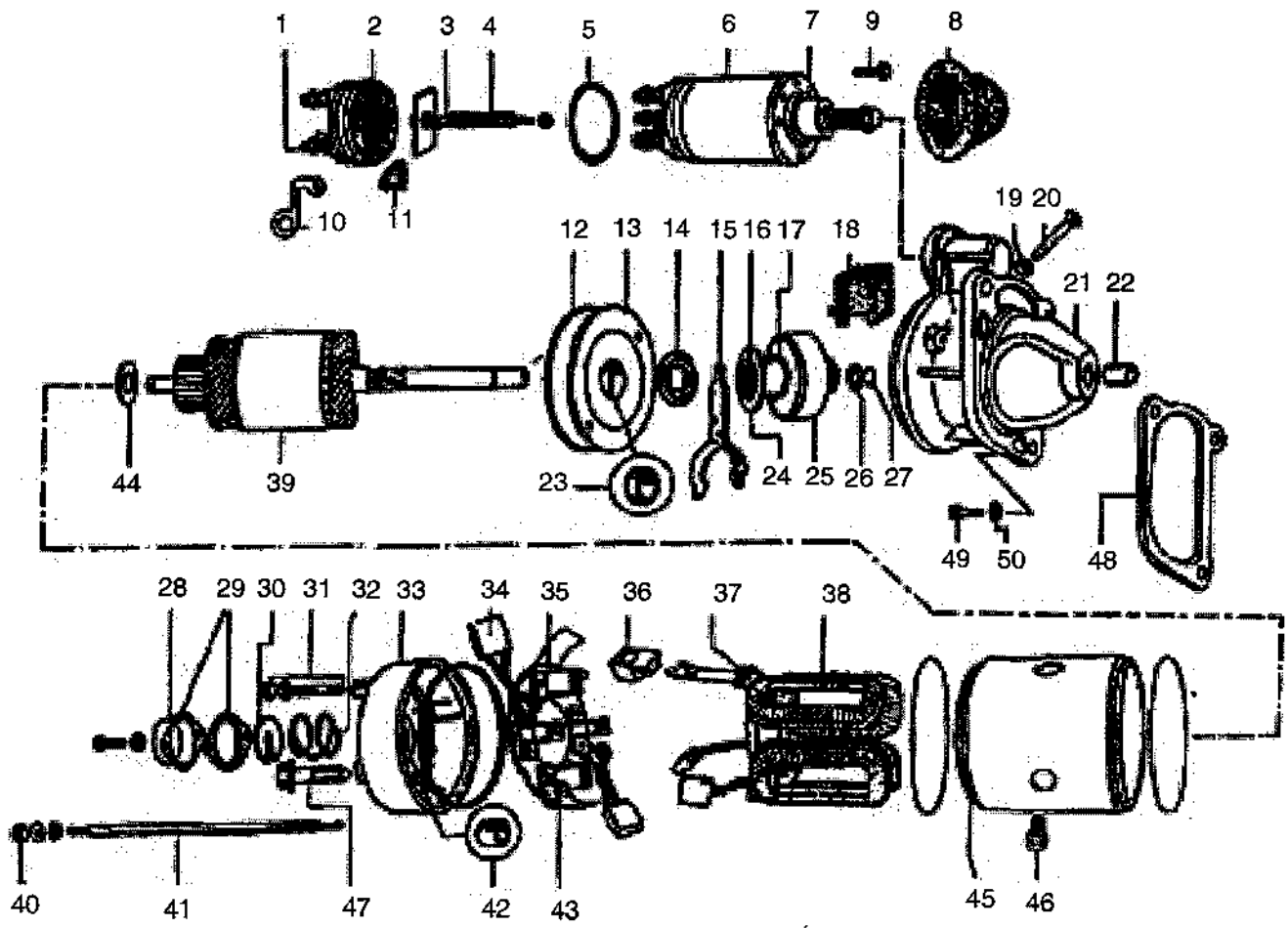
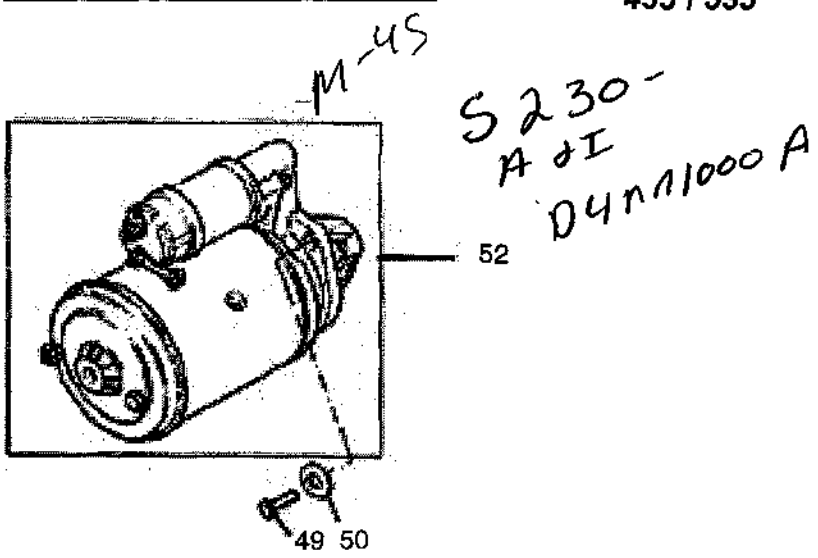
ITEM No	PART No.	DESCRIPTION	VENDOR No.	QUANTITY
				435 535
1	-	Main Terminal (Solenoid) (NSS)	-	2 2
2	-	Terminal Base Assembly (NSS)	-	1 1
3	-	Spindle Assembly (NSS)	-	1 1
4	-	Plunger Return Spring (NSS)	-	1 1
5	ESL13444	Sealing Ring (Solenoid)	11-13555-AA	1 1
6	ESL13445	Solenoid Switch Assembly (3 bolt mounting)	11-13556-AA	1 1
7	-	Plunger Assembly (NSS)	-	1 1
8	-	Shroud (NSS)	-	1 1
9	-	Screw (Solenoid Fixing) (NSS)	-	3 3
10	ESL13449	Connector	11-13560-AA	1 1
11	-	Seal (NSS)	-	1 1
12	ESL13451	Sealing Ring (DE & CE)	11-13562-AA	2 2
13	-	Intermediate Bracket Assembly (NSS)	-	1 1
14	ESL13453	Oil Seal	11-13564-AA	1 1
15	-	Engaging Lever Assembly (NSS)	-	1 1
16	-	Jump Ring (Pinion) (NSS)	-	1 1
17	-	Spring Pinion (NSS)	-	1 1
18	-	Grommet (NSS)	-	1 1
19	-	Nut (Pivot) (NSS)	-	1 1
20	-	Pivot Pin (NSS)	-	1 1
21	-	Fixing Bracket Assembly (NSS)	-	1 1
22	ESL13461	Bearing Bush (Fixing Bracket)	11-13572-AA	1 1
23	ESL13462	Bearing Bush (Inter Bracket)	11-13573-AA	1 1
24	-	Operating Plate (Pinion) (NSS)	-	1 1
25	ESL13464	Drive Assembly	11-13575-AA	1 1
26	ESL13465	Thrust Collar	11-13576-AA	1 1
27	ESL13466	Jump Ring	11-13577-AA	1 1
28	-	End Cover (NSS)	-	1 1
29	ESL13468	Seal (End Cover)	11-13579-AA	2 2
30	-	C'Washer (NSS)	-	1 1
31	ESL13470	Earth Terminal	11-13581-AA	1 1
32	-	Spring (End Cover) (NSS)	-	1 1
33	-	C & E Bracket Assembly (NSS)	-	1 1
34	ESL13473	Brush Set	11-13584-AA	1 1
35	ESL13474	Brush Carrier Assembly	11-13585-AA	1 1
36	ESL13475	Lead Assembly	11-13586-AA	1 1
37	-	Grommet (NSS)	-	1 1
38	ESL13477	Field Coil Assembly	11-13588-AA	1 1
39	ESL13478	Armature Assembly	11-13589-AA	1 1
40	ESL13479	Nut (Fixing Stud)	11-13590-AA	2 2

STARTER MOTOR & RELAY ASSEMBLY

⊖ - SERIAL NUMBER BREAK,

⊖ - INDICATES UP TO AND INCLUDING THAT SERIAL NUMBER

435 / 535



STARTER MOTOR & RELAY ASSEMBLY



ELECTRICALS, GAUGES & LIGHT SYSTEM

435 / 535

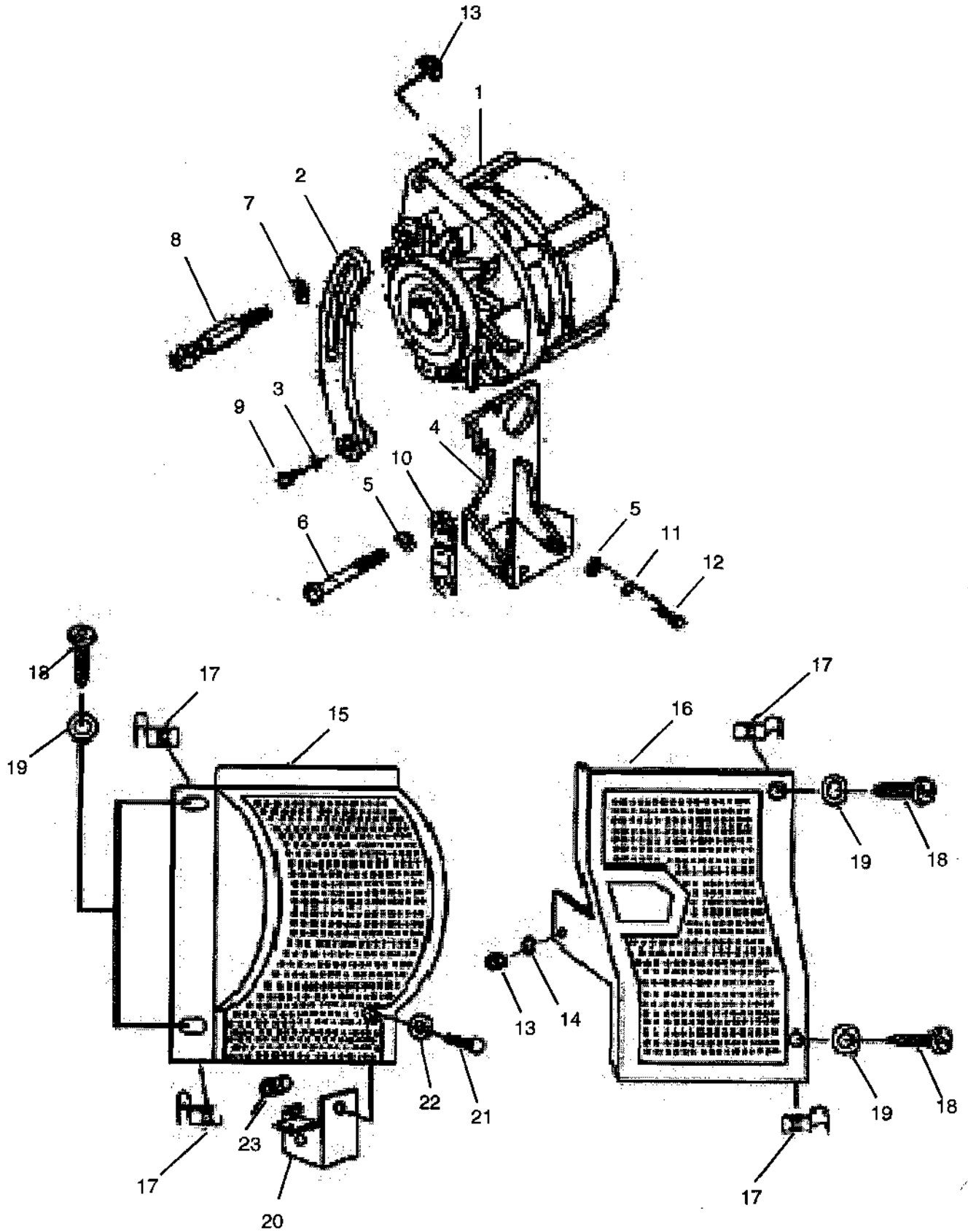
ITEM No	PART No.	DESCRIPTION	VENDOR No.	QUANTITY
				435 535
41	-	Fixing Stud (NSS)	-	1 1
42	ESL13481	Bearing Bush	11-13592-AA	1 1
43	ESL13482	Brush Spring	11-13593-AA	4 4
44	-	Stop Washer (NSS)	-	1 1
45	-	Insulation Yoke (NSS)	-	1 1
46	-	Pole Screw (NSS)	-	4 4
47	-	Screw (NSS)	-	2 2
48	ESL14370	Gasket, Starter Motor	D10034850	1 1
49	ESL14509	Bolt, Hex Head	D10032980	3 3
50	N630174S8	Washer, Lock (M10)	D86500090	3 3
51	ESL11461	Clip, Wiring (NI)	D10019390	1 1
52	ESL14510	Starter Motor Assembly	D10035540	1 1

STARTER MOTOR & RELAY ASSEMBLY

⊘ - SERIAL NUMBER BREAK ,

↙ - INDICATES UP TO AND INCLUDING THAT SERIAL NUMBER

435 / 535

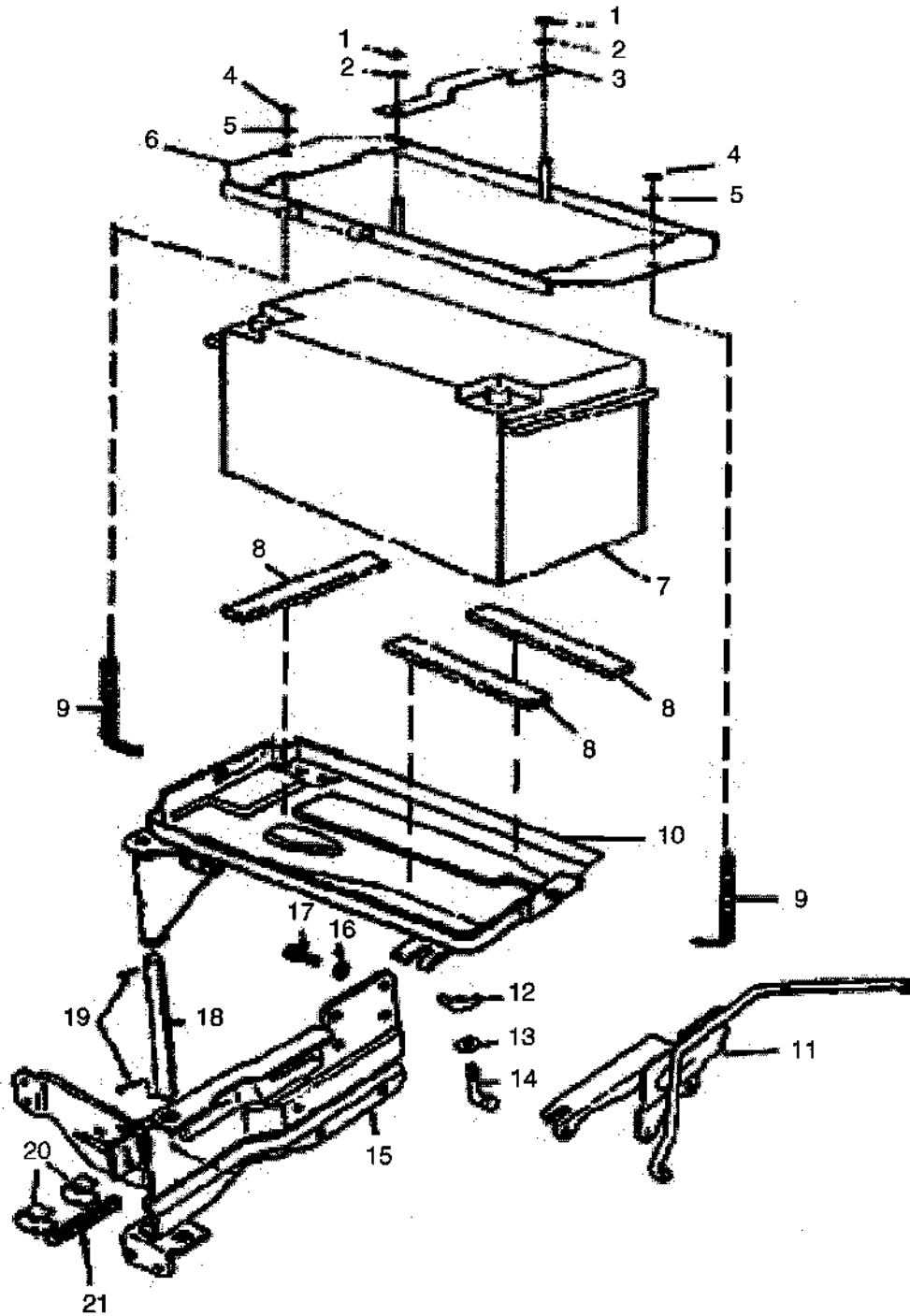


ALTERNATOR & GUARD

435 / 535

ITEM No	PART No.	DESCRIPTION	VENDOR No.	QUANTITY	
				435	535
1	ESL11954	Alternator & Regulator Assembly	D10019250	1	1
2	ESL15596	Arm, Alternator Belt Adjusting	D10009210	1	1
3	ESL11720	Washer, Flat (M8x19x3)	D85500130	1	1
4	ESL15597	Bracket, Alternator Mounting	D10035680	1	1
5	ESL11956	Washer (M10)	D85500140	2	2
6	ESL14516	Bolt, Hex (M10x100)	D10034580	1	1
7	ESL14512	Washer, Plain	D10034590	1	1
8	ESL14513	Adjusting Bolt	D10034600	1	1
9	N605532S8	Bolt, Hex (M8x1.25x25)	D81501040	1	1
10	ESL14514	Clamp, Alternator Bracket	D10009180	1	1
11	N630174S8	Washer, Lock (M10)	D86500090	1	1
12	N605545S8	Bolt, Hex (M10x1.5x25)	D81500280	1	1
13	N620013S8	Nut, Hex (M8)	D83500320	2	2
14	N630173S8	Washer, Lock (M8)	D86500150	1	1
15	ESL14517	Guard, Alternator & Fan, LH1	D10021170	1	1
16	ESL14518	Guard Assembly, Alternator & Fan, RH	D10034610	1	1
17	ESL11817	Nut, Spring U (1/2-14)	D10035470	4	4
18	ESL14519	Screw, Pan Head	D10018540	4	4
19	ESL12046	Washer, Flat (1/4)	E-602188-S71 D85500100	4	4
20	ESL14520	Bracket Assembly	D10035480	1	1
21	ESL12073	Bolt, Hex Head (M6-1x16)	D81500360	1	1
22	N630067S8	Washer, Flat (M6)	D85500110	1	1
23	ESL12072	Rubber Bush	D10021170	1	1

ALTERNATOR & GUARD



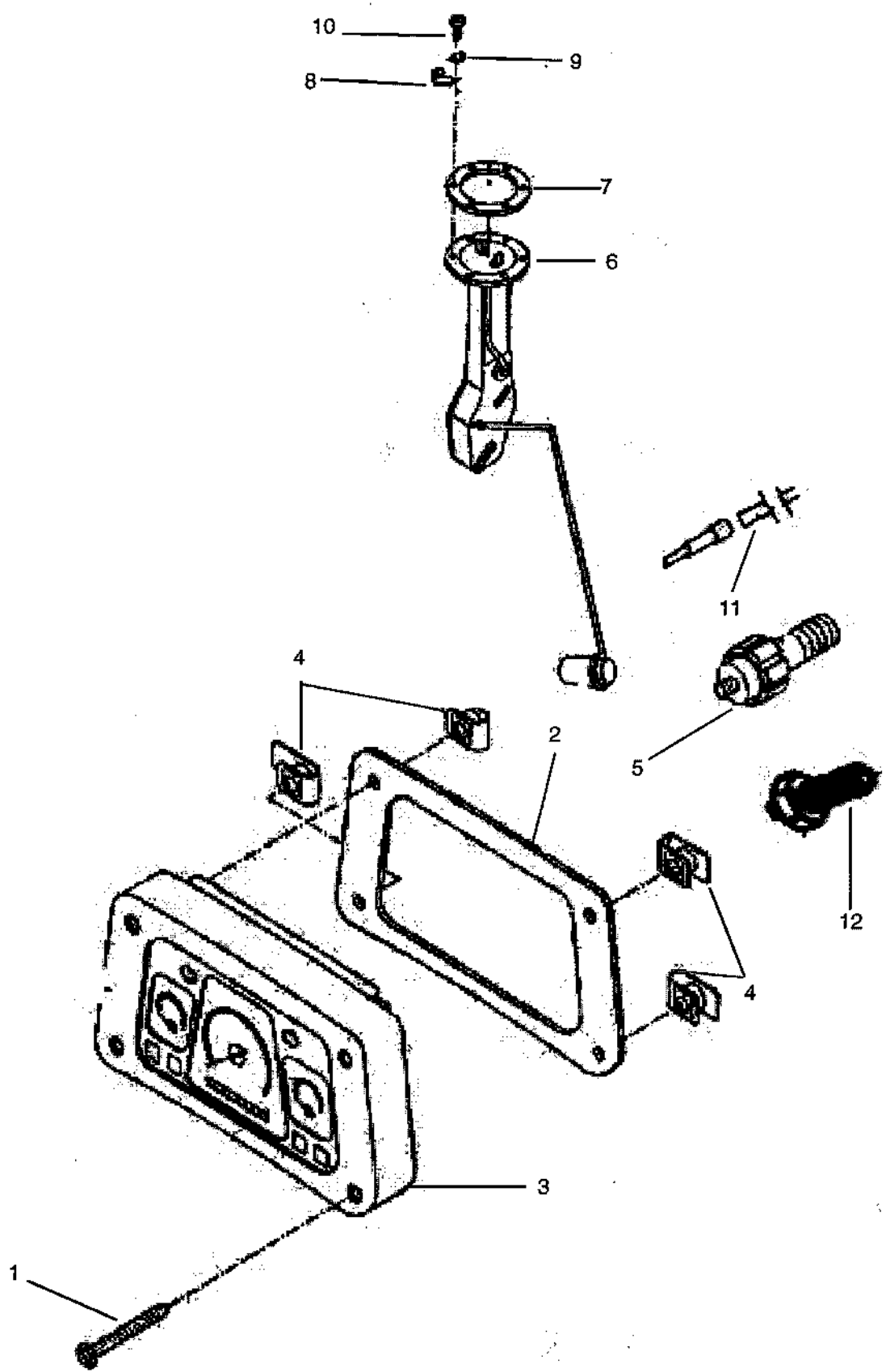
BATTERY & BATTERY SUPPORT

435 / 535

ITEM No	PART No.	DESCRIPTION	VENDOR No.	QUANTITY
				435 535
1	33796S8	Nut, Hex Head (1/4)	D81000400	2 2
2	44719S8	Washer, Flat (1/4)	D85000030	2 2
3	ESL12547	Top Plate, Battery Hold Down	D10026260	1 1
4	383705S8	Nut, Hex Lock (5/16-18)	D83000150	2 2
5	44722S8	Washer, Flat (5/16)	D85000040	2 2
6	ESL12545	Clamp, Battery Hold Down	D10026280	1 1
7	799716	Battery Assembly	-	1 1
8	ESL12548	Pad, Battery	D10026290	3 3
9	ESL12546	Rod, Battery Hold Down	D10026270	2 2
10	ESL15598	Tray Assembly, Battery	D10116200	1 1
11	ESL14521	Support, Radiator Shell, Upper	D10035430	1 1
12	388769S	Nut, Wing (5/16)	D10018710	1 1
13	44724S8	Washer, Flat (5/16)	D85000070	1 1
14	ESL11773	Bolt, Battery Hold Down	D10065740	1 1
15	ESL11342	Bracket Assembly, Battery Support	D10017320	1 1
16	34808S8	Washer, Lock (7/16)	D86000020	4 4
17	304652S8	Bolt, Hex Head (7/16-14x0.75)	D81000450	4 4
18	ESL11350	Pin, Battery Tray	D10018210	1 1
19	ESL13420	Pin, Cotter (5/32x1.25)	D87000100	2 2
20	ESL11354	Clip, Battery Cable Pad	D10018400	2 2
21	ESL11353	Pad, Battery Cable	D10018390	1 1
22	ESL11357	Terminal, Battery Cable, Positive (NI)	-	1 1
23	ESL11356	Cover, Terminal Insulation (NI)	-	1 1
24	ESL11358	Terminal, Battery Cable, Earth (NI)	C7NN-14452-C	1 1
25	ESL11355	Boot, Terminal Insulation (NI)	73N11-14277-A	1 1
26	23017S2	Bolt, Terminal (5/16-18x1.25) (NI)	23017-S2	2 2
27	33797S2	Nut, Hex, Terminal (5/16-18) (NI)	D83000060	2 2

BATTERY & BATTERY SUPPORT

435 / 535



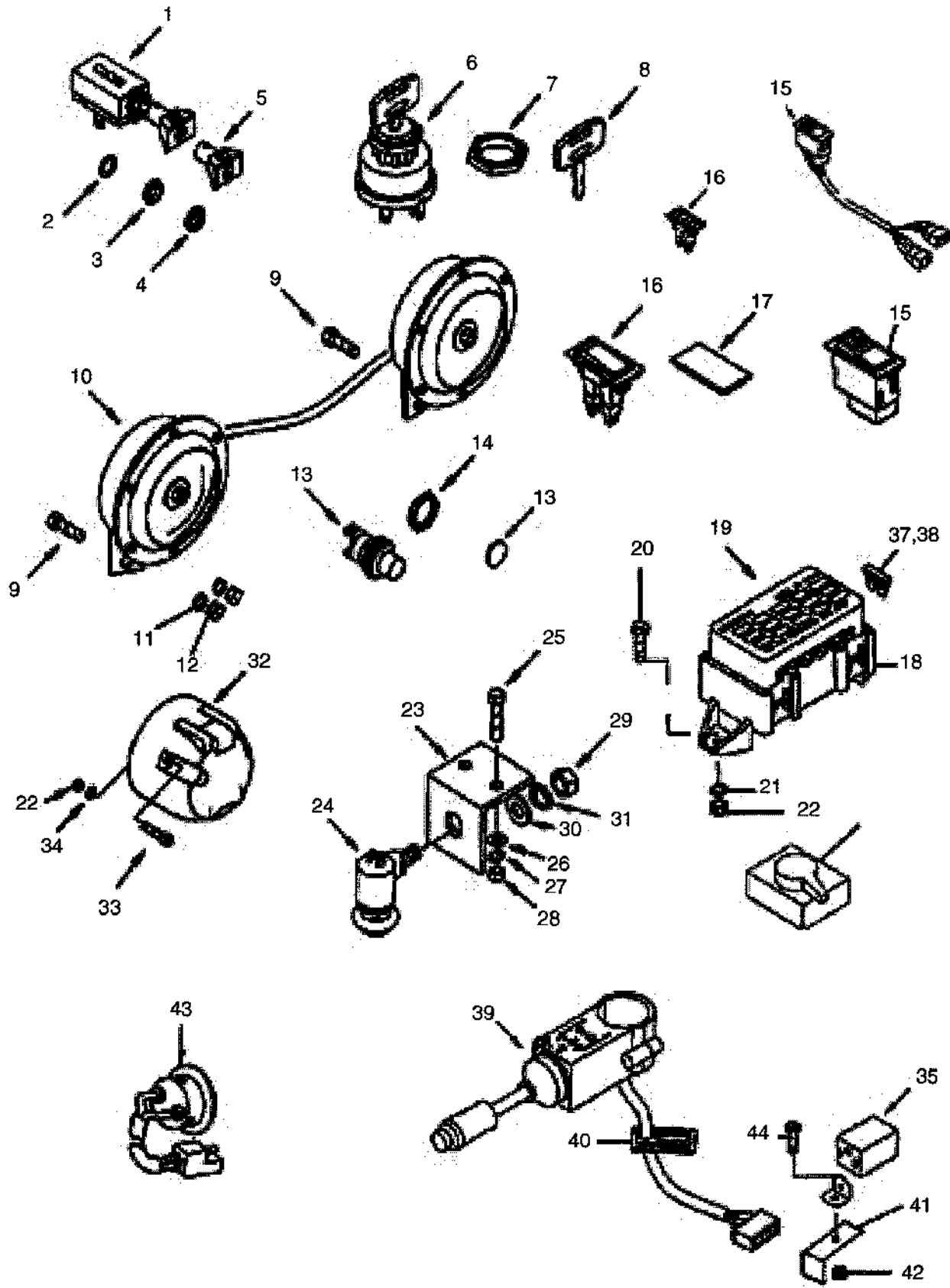
INSTRUMENT CLUSTER, TACHODRIVE & SENSORS

435 / 535

<i>ITEM No</i>	<i>PART No.</i>	<i>DESCRIPTION</i>	<i>VENDOR No.</i>	<i>QUANTITY</i>	
				435	535
1	ESL11889	Screw, Bezel Retaining	D10018650	4	4
2	ESL13505	Gasket, Instrument Cluster	D10026480	1	1
3	ESL14589	Cluster Assembly, Instrument	D10035450	1	1
4	ESL11823	Nut, Bezel Retaining	D10016820	4	4
5	ESL11400	Switch Assembly, Oil Pressure	D10026550	1	1
6	ESL11390	Float Assembly, Fuel Tank Sender	D10021970	1	1
7	ESL14522	Gasket, Fuel Tank Sender	D10021980	1	1
8	ESL11394	Clip	D10026010	1	1
9	ESL12559	Washer, Fuel Tank Float	D10021990	5	5
10	ESL12558	Screw, Hex Head (10-32*0.625)	D10026030	5	5
11	ESL14523	Cable Assembly, Tachometer	D10015470	1	1
12	ESL14524	Sensor, Water Temperature	D10039130	1	1

INSTRUMENT CLUSTER, TACHODRIVE & SENSORS

435 / 535

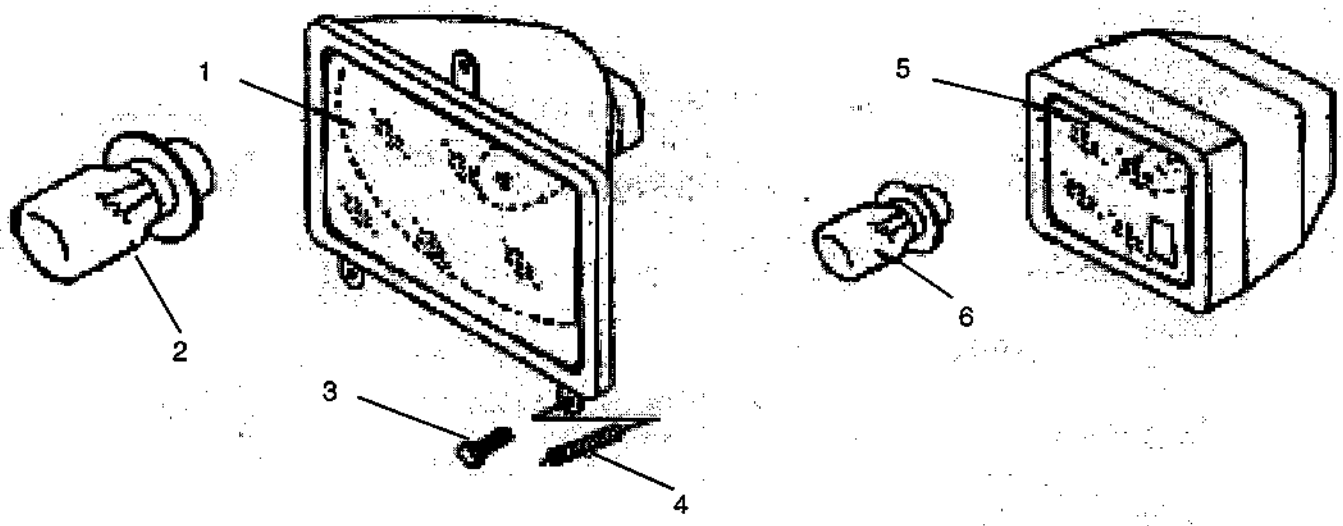


ELECTRICAL SWITCHES

435 / 535

ITEM No	PART No.	DESCRIPTION	VENDOR No.	QUANTITY
				435 535
1	ESL12291	Switch Assembly, Lighting (Rotary Type)	D10026500	1 1
2	ESL11723	Washer	92NN-11N654-AA	1 1
3	ESL11819	Nut, Lighting Switch	92NN-11662-A	1 1
4	ESL11820	Nut, Lighting Switch	92NN-11662-BA	1 1
5	ESL11360	Knob, Light Switch	E1NN-11667-AA	1 1
6	ESL15188	Switch Assembly, Heat & Starter	D10048140	1 1
7	ESL11821	Nut, Starter Switch	-	1 1
8	ESL11362	Key, Ignition Lock	82835125	1 1
9	304682S8	Bolt, Hex Head (5/16-18x1.00)	-	2 2
10	ESL11365	Horn Assembly, Dual Tone	D10017850	1 1
11	34941S8	Washer (5/16)	-	2 2
12	33799S8	Nut (5/16)	-	2 2
13	ESL13501	Button Assembly, Horn Blowing	D10016460	1 1
14	ESL12454	Nut, Horn Blowing	-	1 1
15	ESL13641	Switch Assembly, Emergency Warning	D10026490	1 1
16	ESL15599	Switch Assembly, Worklamp	D10098700	1 1
17	ESL11372	Grommet	82835347	1 1
18	ESL11374	Fuse Box Assembly (Includes Item #19)	D10026970	1 1
19	ESL13734	Cover, Fuse Box	D10105130	1 1
20	ESL11887	Screw, Pan Head (M10-24*0.62)	-	2 2
21	34803S8	Washer, Lock (M10)	D86000030	2 2
22	34053S8	Nut, Hex (M10-24)	D83000130	5 5
23	ESL11378	Bracket, Stop Lamp Switch Mounting	D10018020	1 1
24	ESL13504	Switch Assembly, Stop Lamp	D10016930	1 1
25	N606321S8	Bolt Carriage (M8x1.25x20)	D81500320	2 2
26	44722S8	Washer, Flat (5/16)	D85000040	2 2
27	N630173S8	Washer, Lock (M8)	D86500150	2 2
28	N620013S8	Nut (M8)	D83500230	2 2
29	ESL12017	Nut (3/8-16)	D83000020	1 1
30	ESL12074	Washer, Flat	D85000090	1 1
31	34807S8	Washer, Lock	D86000010	1 1
32	ESL11381	Socket Assembly	D10026380	1 1
33	54049S8	Screw (10-24x11.12)	-	3 3
34	34903S8	Washer, Lock Internal Tooth (10)	D86000140	3 3
35	789918	Flasher - Indicator Assembly	-	1 1
36	792640	Handle Kit, Flasher	-	1 1
37	ESL13735	Fuse (10A)	18-13032-AA	2 2
38	ESL13736	Fuse (15A)	18-13033-AA	4 4

ELECTRICAL SWITCHES



LIGHTS

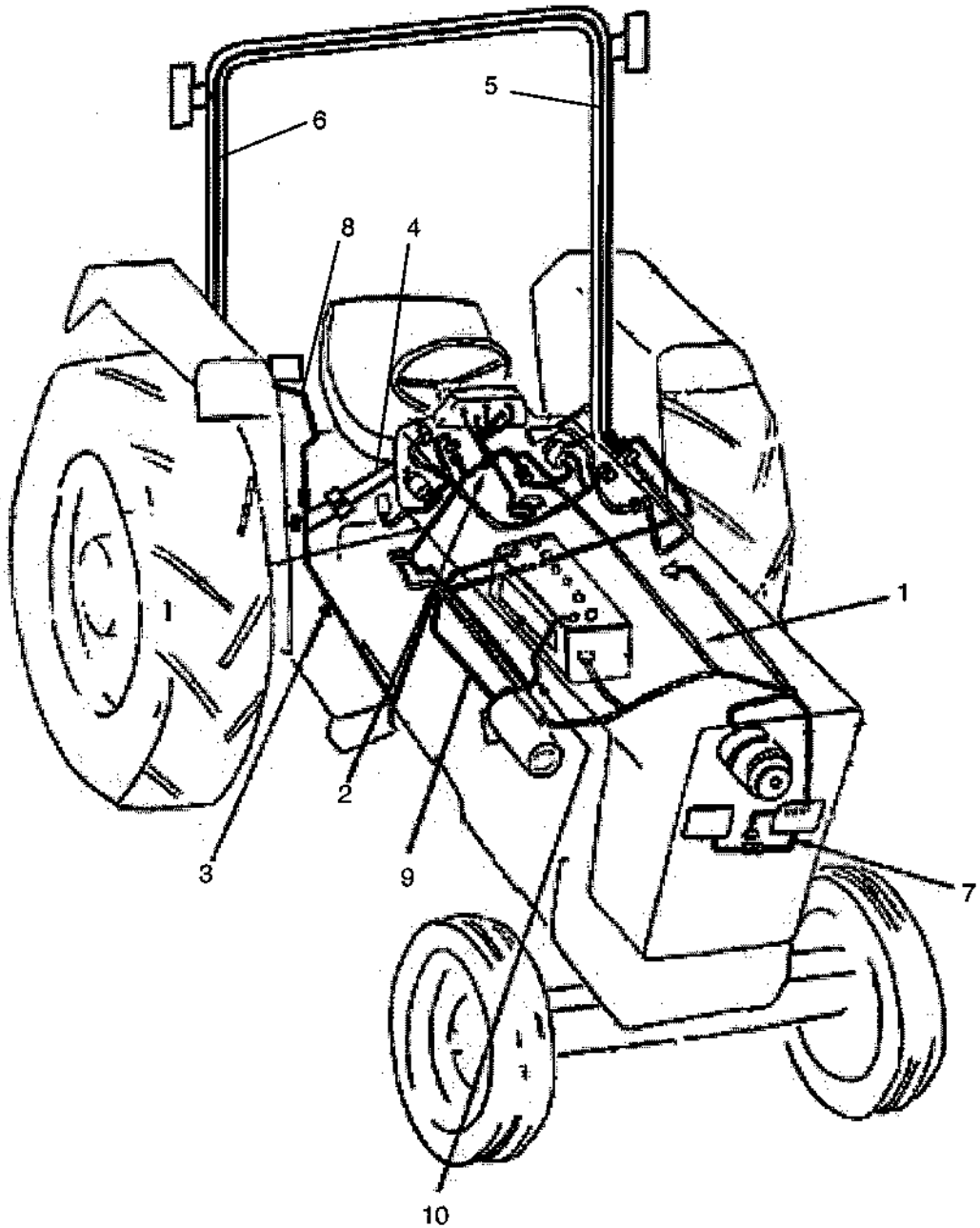


ELECTRICALS, GAUGES & LIGHT SYSTEM

435 / 535

ITEM No	PART No.	DESCRIPTION	VENDOR No.	QUANTITY	
				435	535
1	ESL12570	Head Lamp Assembly	D10026910	2	2
2	ESL13523	Bulb, Head Lamp (12 volts)	25-13009-AA	2	2
3	ESL13737	Screw, Head Lamp Adjusting	-	6	6
4	ESL13738	Spring	-	6	6
5	ESL15600	Worklamp Assembly	D10026390	1	1
6	ESL13524	Bulb, Worklamp	D10105060	1	1

LIGHTS



WIRING HARNESS SYSTEM

435 / 535

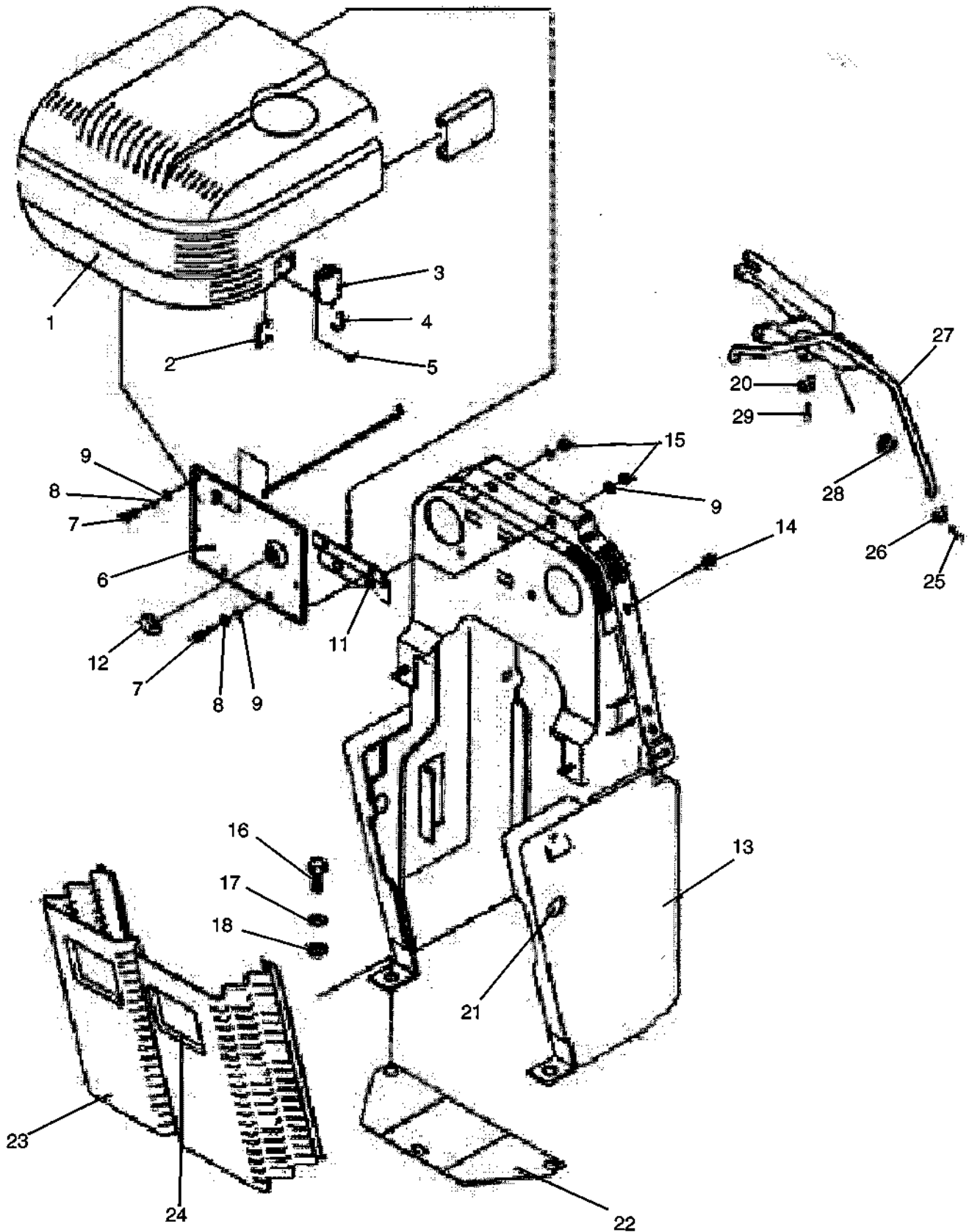
ITEM No	PART No.	DESCRIPTION	VENDOR No.	QUANTITY	
				435 535	
1	ESL15193	Wiring Harness, Main	D10048110	1	1
2	ESL14953	Wiring Harness, Instrument Panel	D10048120	1	1
3	ESL14530	Wiring Harness, Tail	D10026360	1	1
4	ESL14531	Wiring Harness, Tractor Socket	D10026370	1	1
5	ESL13709	Wiring Harness, ROPS Lamp, LH	D10026630	1	1
6	ESL12565	Wiring Harness, ROPS Lamp, RH	D10026620	1	1
7	ESL12567	Wiring Harness, Earth (Head Lamp)	D10026640	1	1
8	ESL14532	Wiring Harness, Work Lamp	D10026410	1	1
9	ESL14533	Cable Assembly, Battery to Starter	D10047720	1	1
10	ESL14534	Cable Assembly, Battery to Ground	D10035440	1	1
11	ESL11354	Clip, Battery Cable (NI)	D10018400	1	1
12	ESL11465	Strap, Battery Cable (NI)	D10017420	4	4
13	ESL11463	Clip, Wiring (NI)	D10067100	1	1
14	ESL14529	Strap, Wiring (NI)	D10028500	1	1
15	ESL11460	Clip, Wiring (NI)	D10065960	1	1
16	ESL11461	Clip, Wiring (NI)	D10019390	1	1

WIRING HARNESS SYSTEM

Notes

***SHEET METAL
&
ACCESSORIES***

435 / 535



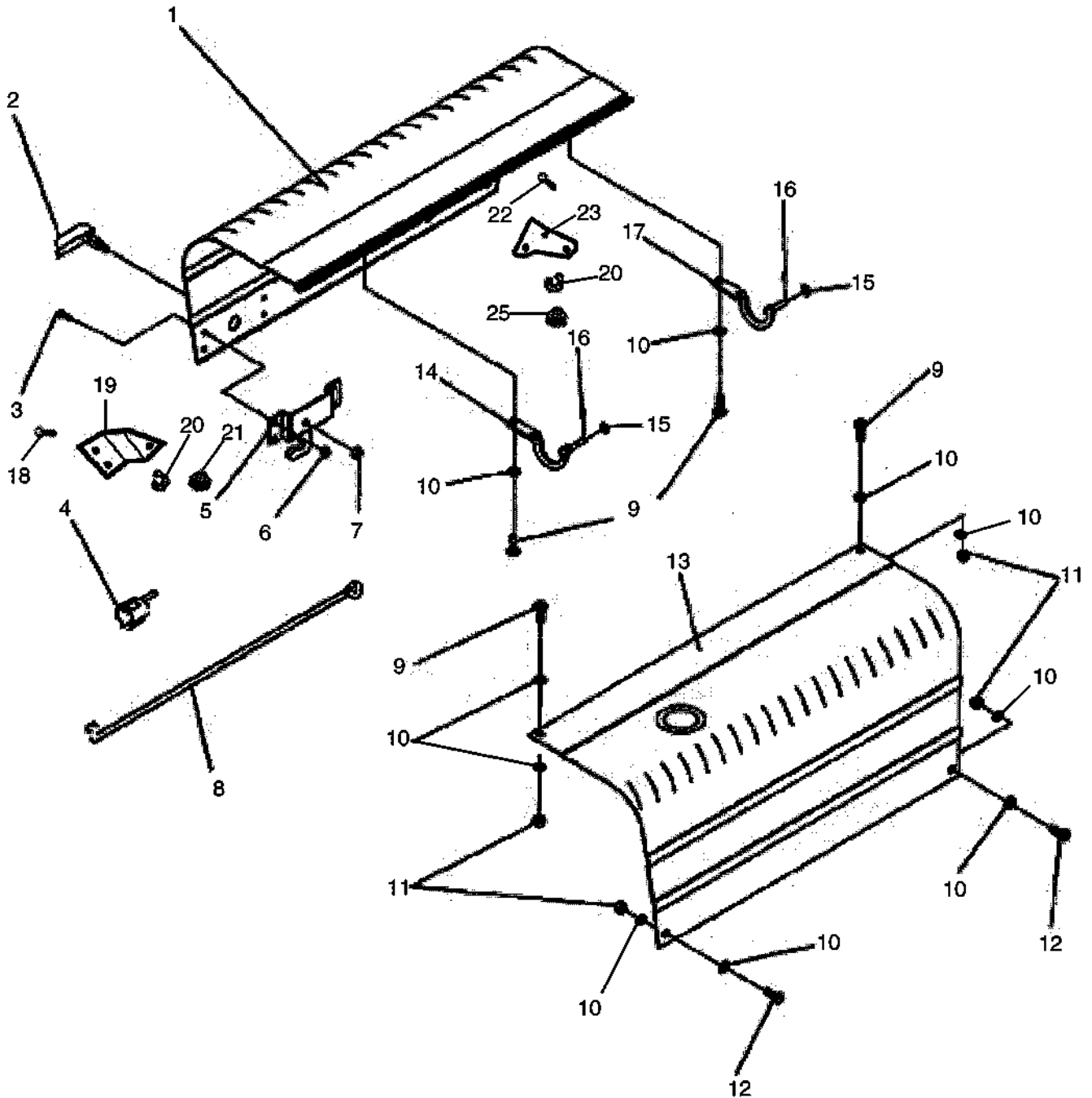
RADIATOR SHELL

435 / 535

ITEM No	PART No.	DESCRIPTION	VENDOR No.	QUANTITY
				435 535
1	ESL11498	Panel Assembly, Hood Top	-	1 1
2	ESL11500	Plate Hood Latch	-	2 2
3	ESL13537	Latch Assembly, Hood(Includes Item #4)	-	2 2
4	ESL11895	Adjusting Screw, Hood Latch	-	2 2
5	ESL11501	Adjusting Screw, Hood Latch	-	2 2
6	ESL11502	Plate, Hood Top Front	-	1 1
7	ESL11937	Bolt, Hex Head (M6x1.00-12)	-	6 6
8	N630317S8	Washer, External Tooth	-	6 6
9	N630067S8	Washer, Flat (M6)	-	8 8
10	ESL11504	Prop, Hood Top Front Panel	-	1 1
11	ESL13719	Hinge Assembly, Hood Top Front Panel	-	1 1
12	ESL11505	Bumper, Hood Top	-	1 1
13	ESL11490	Shell Assembly, Radiator	-	1 1
14	ESL14959	Pad, Hood Mounting	D10016240	14 14
15	N620012S8	Nut (M6x1.0)	-	2 2
16	304650S8	Bolt, Hex Head (3/8-16x0.75)	-	4 4
17	44728S8	Washer, Flat (3/8)	-	4 4
18	34942S8	Washer, Flat Tooth (3/8)	-	4 4
19	ESL11499	Bumper	-	6 6
20	N630174S8	Washer, Lock (M10)	-	2 2
21	ESL10230	Grommet, Round	-	2 2
22	ESL11519	Baffle Assembly, Front Axle Support	-	1 1
23	ESL12609	Grill Assembly, Front (Includes Item #24)	-	1 1
24	ESL12610	Rubber Beading, Head Lamp	-	2 2
25	304665S8	Bolt, Hex Head (5/16-24x0.88)	-	2 2
26	44722S8	Washer, Flat (5/16)	-	2 2
27	ESL14521	Support, Radiator Shell	-	1 1
28	33798S8	Nut, Hex (5/16-24)	-	2 2
29	ESL14457	Bolt, Hex Head	-	2 2

RADIATOR SHELL

435 / 535



SIDE PANELS

12:3

☉ - SERIAL NUMBER BREAK,

↙ - INDICATES UP TO AND INCLUDING THAT SERIAL NUMBER



435 / 535

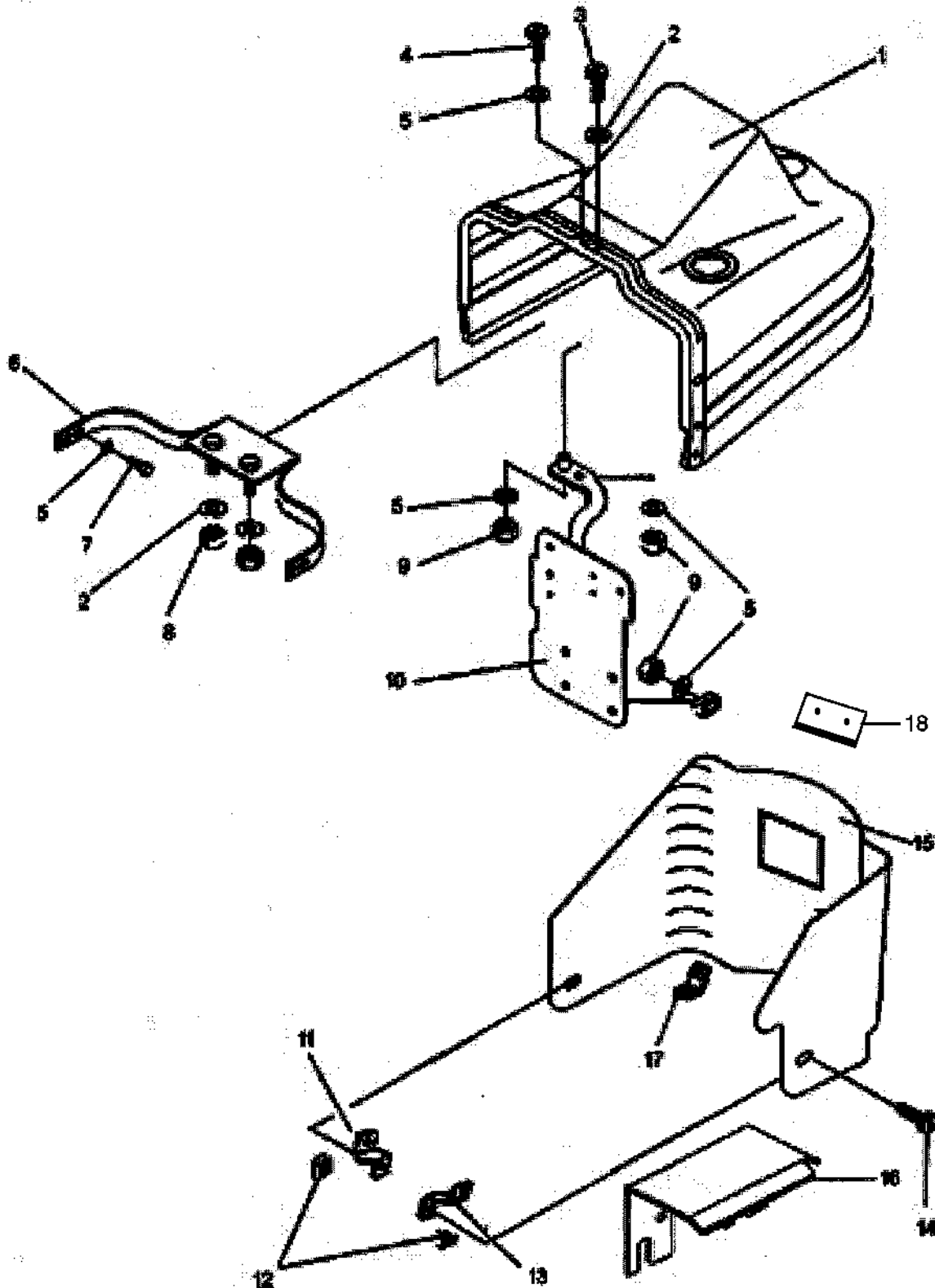
ITEM NO	PART NO.	DESCRIPTION	VENDOR No.	QUANTITY
				435 535
1	ESL14537	Panel Assembly, Hood RH	D10034870	1 1
2	ESL11529	Handle Assembly, Hood RH	-	2 2
3	ESL11896	Screw, Pan Head (M4x10)	-	8 8
4	ESL11521	Clip, Hood Support Rod	-	1 1
5	ESL11528	Lock Assembly, Hood RH	-	2 2
6	ESL11827	Nut, Nyloc (M4)	-	8 8
7	55670S8	Nut, Hex Lock (1/4-28)	-	2 2
8	ESL11534	Support Rod Panel	-	1 1
9	50528S8	Screw, Pan Head (1/4-28x0.625)	-	4 4
10	44719S8	Washer, Flat (1/4)	-	12 12
11	ESL11828	Nut, Hood Panel, LH	-	4 4
12	ESL13724	Screw	-	2 2
13	ESL14538	Panel Assembly, Hood LH	D10035360	1 1
14	ESL11526	Hinge Rod	-	1 1
15	ESL11729	Washer, Hinge	-	2 2
16	ESL12679	Pin, Cotter	-	2 2
17	ESL11525	Rod Assembly, Hinge	-	1 1
18	ESL14539	Bolt, Hex Head (5/16-24x0.88)	-	2 2
19	ESL13583	Bracket, Hood Catch, Front	-	1 1
20	44722S8	Washer, Flat (5/16)	-	2 2
21	33798S8	Nut, Hex (5/16-24)	-	2 2
22	304633S8	Bolt, Hex Head (1/4-28x0.62)	-	2 2
23	ESL12355	Bracket, Hood Catch Rear	-	1 1
24	33796S8	Nut, Hex (1/4-28)	-	2 2

SIDE PANELS

Ⓢ - SERIAL NUMBER BREAK ,

Ⓜ - INDICATES UP TO AND INCLUDING THAT SERIAL NUMBER

435 / 535



REAR HOOD

12:5

☺ - SERIAL NUMBER BREAK,

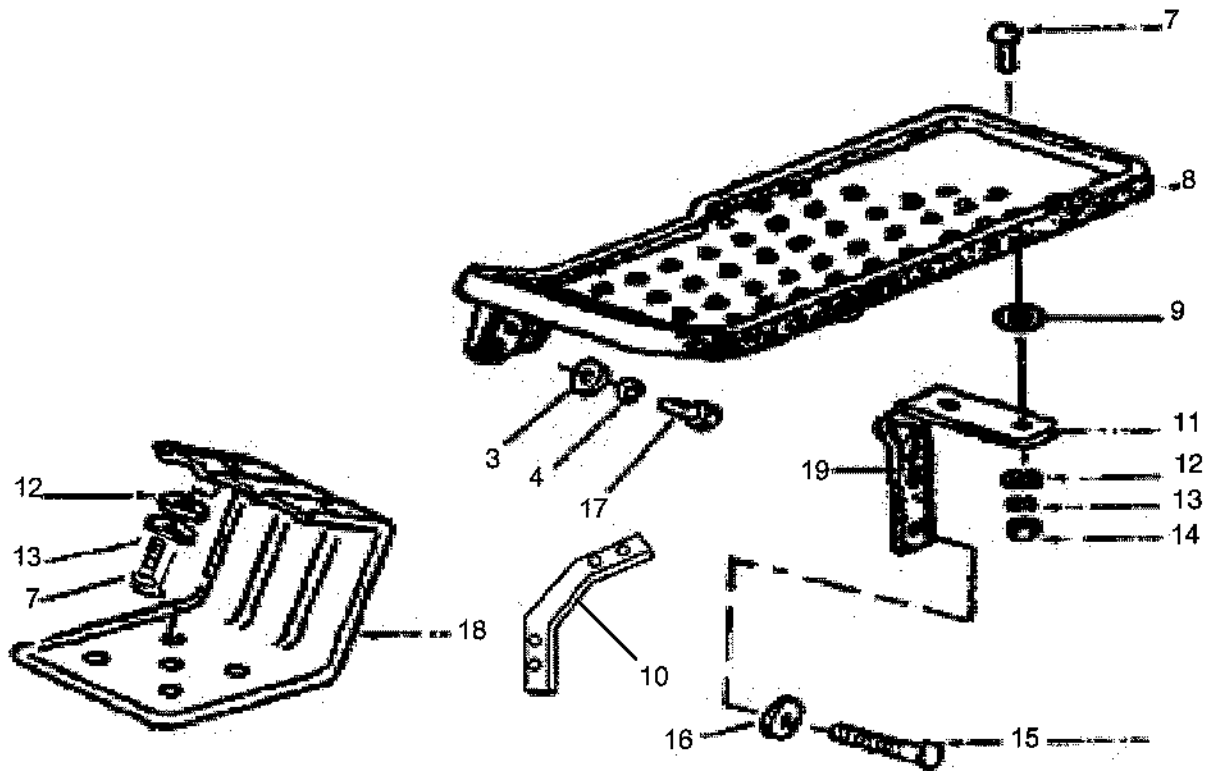
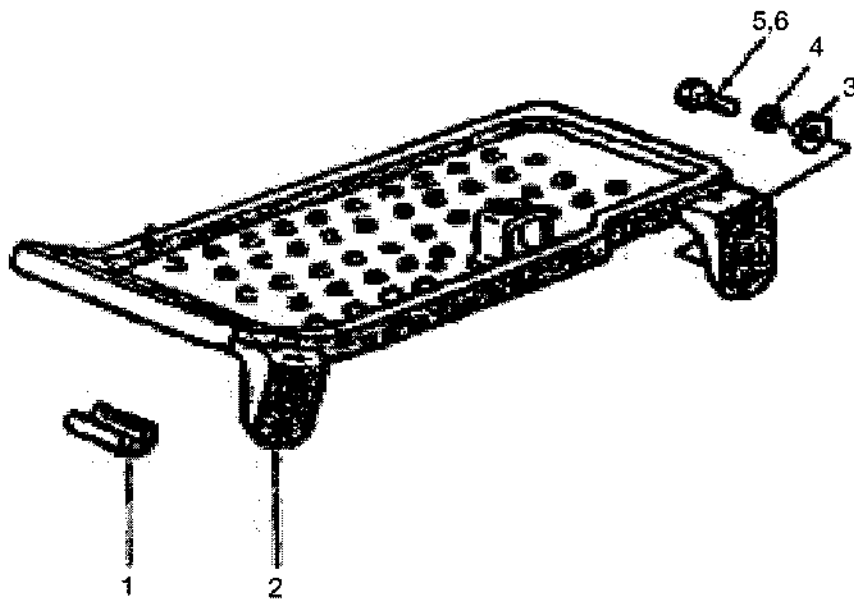
↙ - INDICATES UP TO AND INCLUDING THAT SERIAL NUMBER

435 / 535

ITEM No	PART No.	DESCRIPTION	VENDOR No.	QUANTITY	
				435 535	
1	ESL14540	Panel Assembly, Hood Rear	D10026460	1	1
2	44722S8	Washer, Flat (5/16)	-	6	6
3	304665S8	Bolt, Hex Head (5/16-24x0.88)	-	2	2
4	ESL13724	Screw	-	1	1
5	44719S8	Washer, Flat (1/4)	-	7	7
6	ESL11522	Bracket & Support Assembly	D10012430	1	1
7	304632S8	Bolt, Hex Head (1/4-20x0.62)	-	4	4
8	33797S8	Nut, Hex (5/16-18)	-	2	2
9	ESL11828	Nut, Hood LH Panel	-	2	2
10	ESL14541	Support Assembly, Hood Rear	D10035460	1	1
11	ESL12580	Bracket, Front RH	-	1	1
12	ESL11824	Nut, U-Type	-	6	6
13	ESL12581	Bracket, Front LH	-	1	1
14	ESL11891	Screw	-	8	8
15	ESL12525	Cover Steering Gear	-	1	1
16	ESL14195	Rain Shield, Fuse Box	-	1	1
17	ESL11515	Bracket, Rear	-	1	1
18	ESL11509	Plate, Steering Cover	-	1	1

REAR HOOD

435 / 535

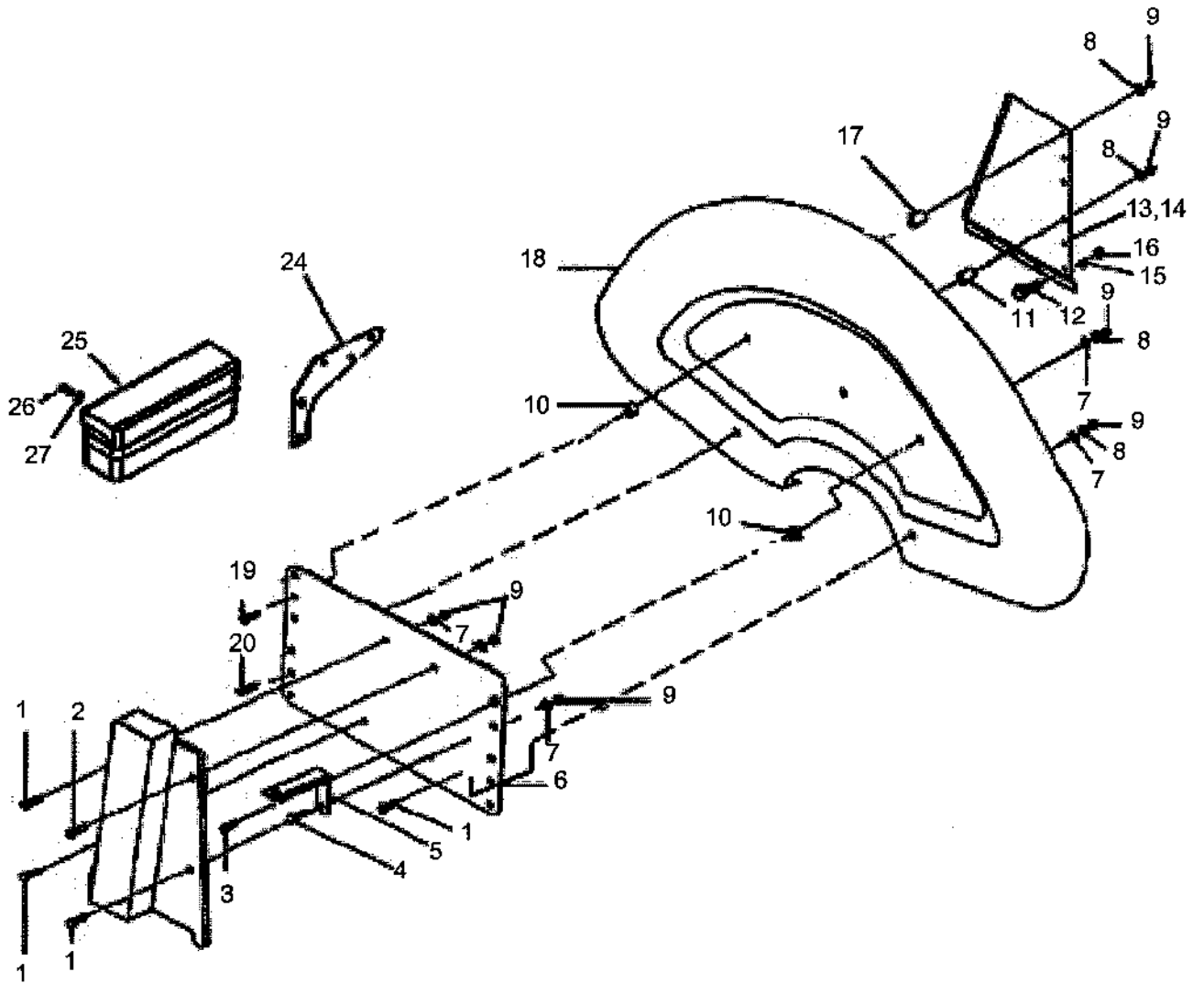


RUNNING BOARDS

435 / 535

ITEM No	PART No.	DESCRIPTION	VENDOR No.	QUANTITY
				435 535
1	ESL11553	Bumper, Brake Pedal	-	1 1
2	ESL11548	Running Board, RH	D10087320	1 1
3	44726S8	Washer, Flat (3/8)	-	6 6
4	34807S8	Washer, Lock (3/8)	-	6 6
5	304666S8	Bolt (3/8 - 16 x 0.88)	-	1 1
6	304650S8	Bolt (3/8 - 16 x 0.75)	-	3 3
7	304665S8	Bolt, Hex (5/16 - 24 x 0.88)	-	6 6
8	ESL11549	Running Board, LH	-	1 1
9	ESL11552	Spacer, Running Board Support	-	4 4
10	ESL11550	Support, Running Board, LH	-	1 1
11	ESL11551	Support, Running Board, RH	-	1 1
12	44722S8	Washer, Flat (5/16)	-	6 6
13	34806S8	Washer, Lock (5/16)	-	6 6
14	33798S8	Nut, Hex (5/16 - 24)	-	6 6
15	304724S8	Bolt, Hex (7/16 - 14 x 1.25)	-	2 2
16	34808S8	Washer, Lock (7/16)	-	2 2
17	304722S8	Bolt, Hex (3/8 - 16 x 1.25)	-	2 2
18	ESL11554	Step, Running Board, LH	-	1 1
19	ESL12361	Bracket	-	1 1

RUNNING BOARDS



CLAM SHELL FENDERS

435 / 535

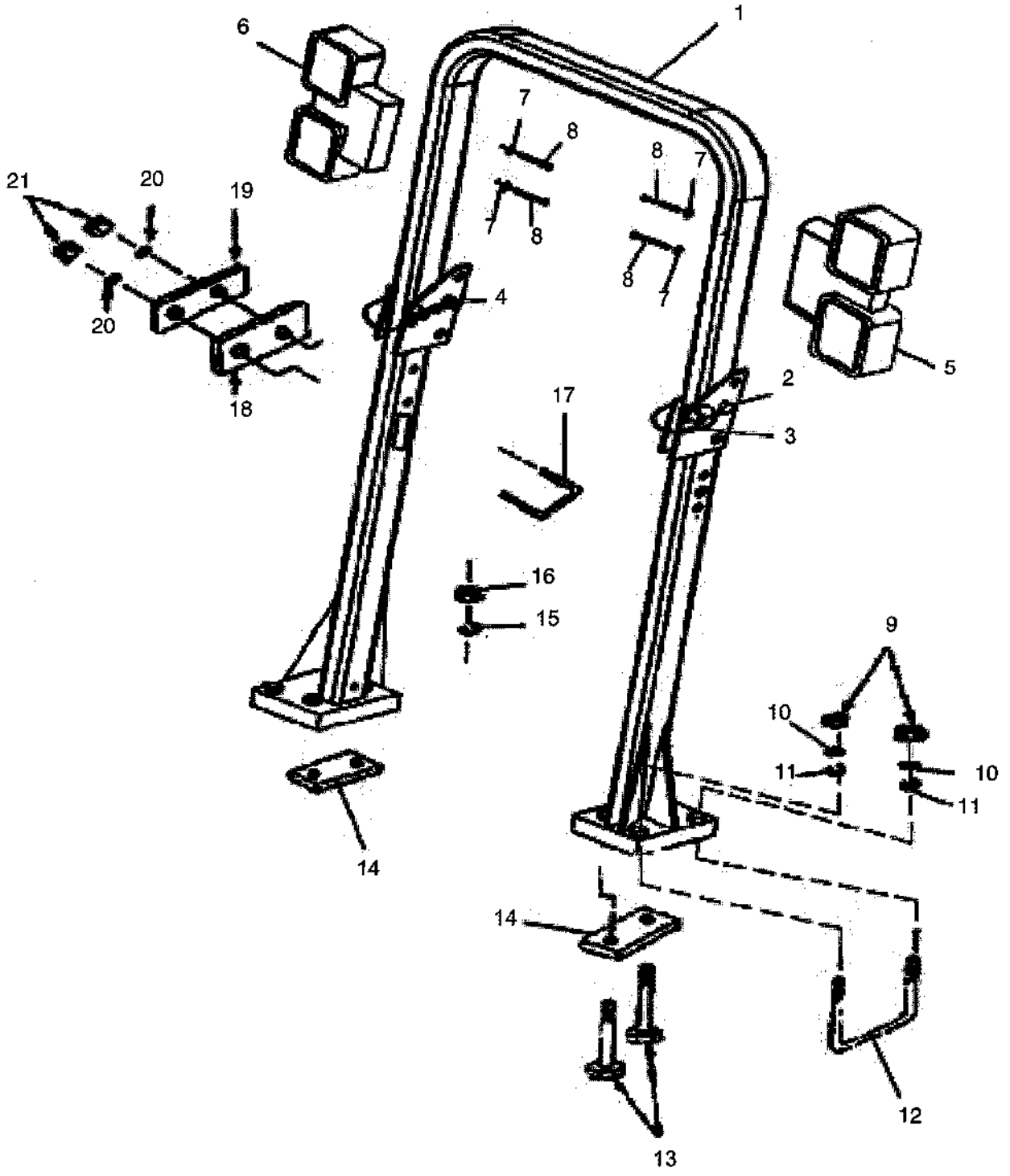
ITEM No	PART No.	DESCRIPTION	VENDOR No.	QUANTITY
				435 535
1	-	Bolt, Carriage (3/8-16x1")	-	9 9
2	-	Bolt, Carriage (3/8-16x1") RH	-	1 1
-	-	Bolt, Hex Head (3/8-16x2") LH	-	1 1
3	ESL12011	Bolt, Carriage (3/8 - 16 x 1.50)	-	2 2
4	23380S8	Bolt, Carriage (3/8 - 16 x 0.75)	-	1 1
5	ESL12373	Bracket, Worklight	-	1 1
6	ESL12007	Support, Clam Shell Fender	-	2 2
7	44728S8	Washer, Flat (3/8)	-	5 5
8	34807S8	Washer, Lock (3/8)	-	17 17
9	33799S8	Nut, Hex (3/8-16)	-	18 18
10	ESL12009	Spacer, Fender (0.52" Long)	-	4 4
11	-	Spacer, Fender (1.75" Long)	-	2 2
12	304633S8	Bolt, Hex (1/4 - 28 x 0.62)	-	6 6
13	ESL12371	Extension RH, Clam Shell Fender	-	1 1
14	ESL12372	Extension LH, Clam Shell Fender	-	1 1
15	44719S8	Washer, Flat (1/4)	-	6 6
16	33796S8	Nut, Hex (1/4 - 28)	-	6 6
17	-	Spacer, Fender (1.25" Long)	-	2 2
18	ESL12370	Fender Assembly, Clam Shell LH/RH	-	2 2
19	-	Bolt, Carriage (3/8-16x 2.75")	-	2 2
20	-	Bolt, Carriage (3/8-16x2.50")	-	2 2
21	-	Bolt, Carriage (3/8 - 16 x 1.75)	-	1 1
22	-	Spacer, Fender (5/8" Long)	-	1 1
23	-	Spacer, Fender (1" Long)	-	1 1
24	ESL12058	Bracket, Tool Box Mounting	-	1 1
25	ESL13600	Tool Box Assembly	-	1 1
26	304634S8	Bolt, Hex Head (5/16-18x0.625)	-	3 3
27	34941S8	Washer, External Tooth (5/16)	-	3 3

Notes;

Complete Rectangular Fender Kit for changing from clam shell fenders is available under part #906419.

CLAM SHELL FENDERS

435 / 535



Roll - Bar (ROPS)



SHEET METAL & ACCESSORIES

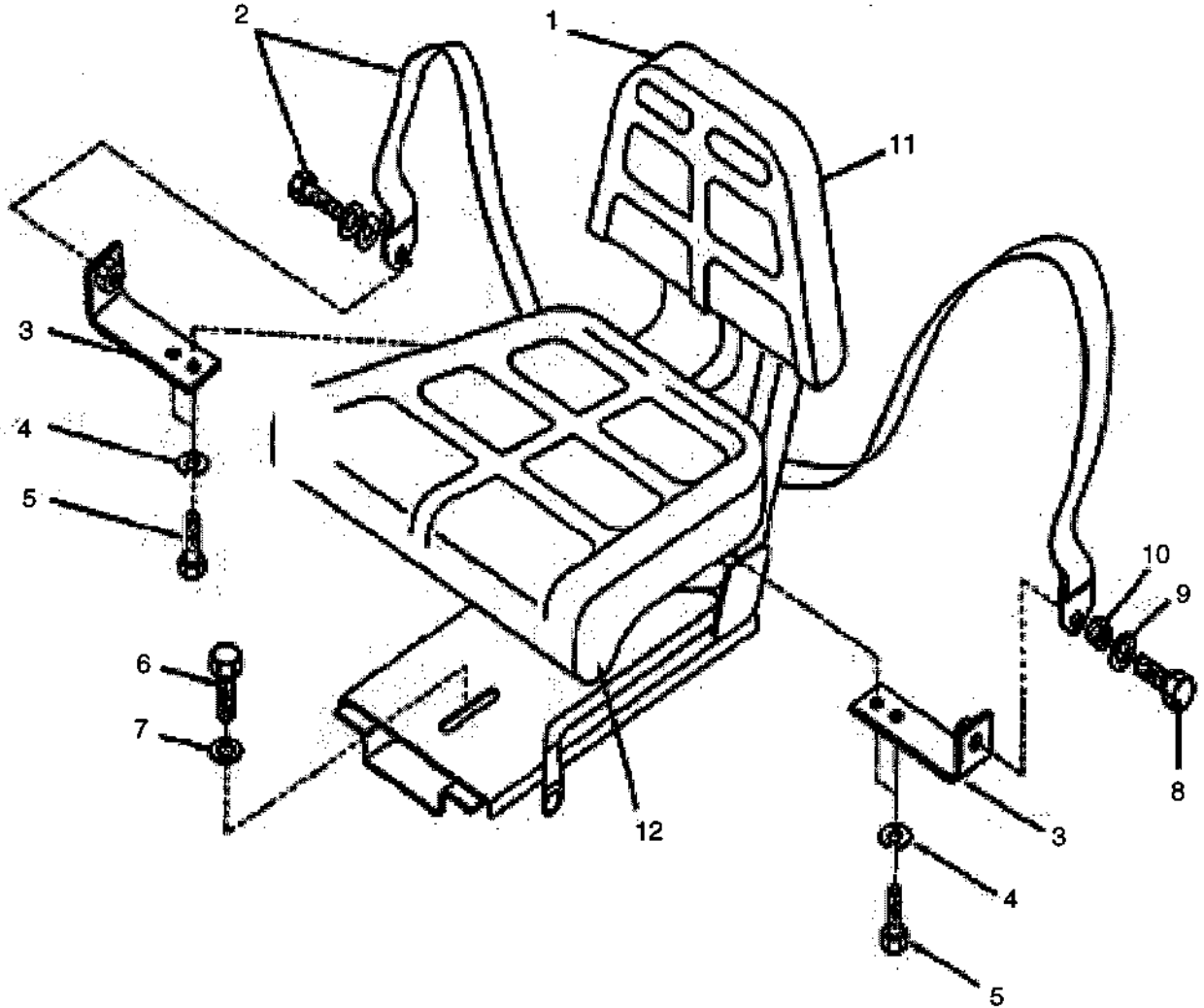
435 / 535

ITEM No	PART No.	DESCRIPTION	VENDOR No.	QUANTITY	
				435	535
1	902540	Roll-Bar Assembly, Foldable	-	1	1
2	304940S8	Bolt, Hex Head (1/2-13x3 1/2)	-	2	2
3	905730	Pin, Clevis Assembly	-	2	2
4	34979S8	Nut, Previous Torque (1/2-13)	-	2	2
5	905781	Lollipop Signal Light, LH	-	1	1
6	905782	Lollipop Signal Light, RH	-	1	1
7	N630173S8	Washer, Lock (M8)	-	4	4
8	N600218S8	Bolt (M8-1.25x65)	-	4	4
9	ESL12019	Nut, Hex (1/2 - 20)	-	4	4
10	34809S8	Washer, Lock (1/2)	-	4	4
11	44736S8	Washer, Flat (1/2)	-	4	4
12	ESL12005	U-Bolt	-	2	2
13	302610S8	Bolt, Hex Head (5/8 - 18 x 8.00)	-	4	4
14	900122	Lower Plate	-	2	2
15	34806S8	Washer, Lock (5/8)	-	4	4
16	33850S8	Nut, Hex, (5/8 - 18)	-	4	4

ROLL - BAR (ROPS)

- SERIAL NUMBER BREAK ,

- INDICATES UP TO AND INCLUDING THAT SERIAL NUMBER



DELUXE SEAT ASSEMBY



SHEET METAL & ACCESSORIES

435 / 535

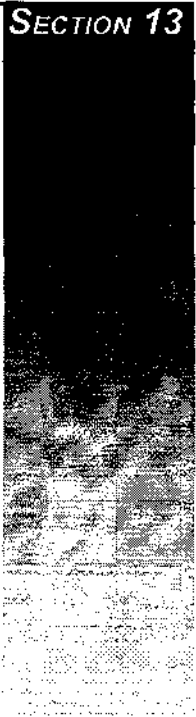
ITEM NO	PART NO.	DESCRIPTION	VENDOR NO.	QUANTITY
				435 535
1	904201	Seat Assembly, Driver	-	1 1
2	ESL11584	Belt, Driver Seat	-	1 1
3	902083	Bracket	-	2 2
4	-	Washer	-	2 2
5	-	Bolt	-	2 2
6	304724S8	Bolt, Hex Head (7/16-14x1.25)	-	1 1
7	ESL12074	Washer, Flat (7/16)	-	1 1
8	N605532S8	Bolt, Hex (M8x1.25x25)	-	2 2
9	N630068S8	Washer (M8)	-	2 2
10	N620013S8	Nut (M8)	-	2 2

DELUXE SEAT ASSEMBLY

Ⓢ - SERIAL NUMBER BREAK ,

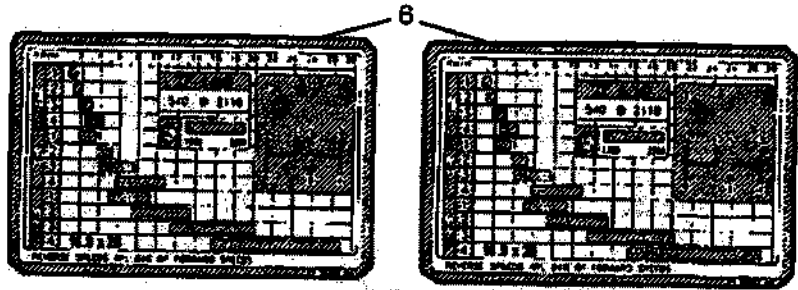
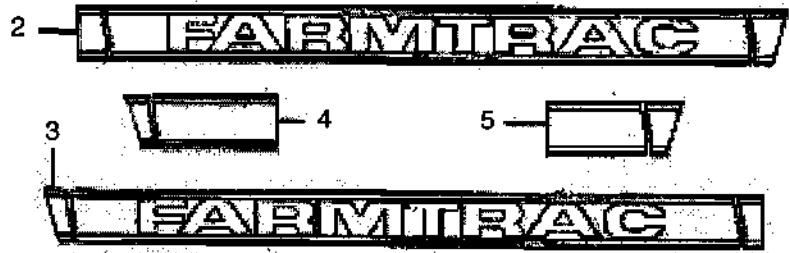
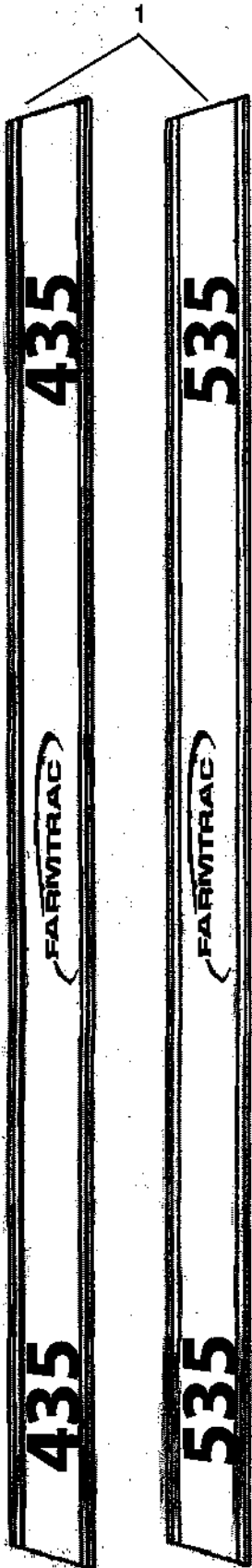
↙ - INDICATES UP TO AND INCLUDING THAT SERIAL NUMBER

Notes



DECALS

435 / 535



**LOOSEN DRAIN PLUG
AND DRAIN OFF WATER
ONCE EVERY WEEK**

**CAUTION
DO NOT OPERATE**
OPERATOR MUST READ THE CAUTION SECTION
OF THE OPERATOR'S MANUAL AND ALL OTHER
APPLICABLE SAFETY INFORMATION.



WARNING

- Pull only from drawbar. Pulling from any other point can cause rear overturn.
- Do not operate with unshielded PTO.
- Disconnect PTO and stop engine before servicing tractor or implements or attaching and detaching implements.
- Position drawbar at 14" from end of PTO shaft to drawbar hole for 540 RPM.
- Drive towing equipment on a safety stand.

FAILURE TO FOLLOW ANY OF THE INSTRUCTIONS ABOVE CAN CAUSE SERIOUS INJURY TO THE OPERATOR OR OTHER PERSONS.

WATCH YOUR HOUR - METER HOURS
LUBRICATION AND MAINTENANCE SERVICE INTERVALS

LUBRICANT AND MAINTENANCE ITEM	435		535		REMARKS AND SERVICE INTERVALS
	MIN	MAX	MIN	MAX	
Engine Oil	100	150	100	150	Check oil level before starting engine. Add oil if necessary. Use SAE 15W-40 multi-grade oil.
PTO Oil	100	150	100	150	Check oil level before starting engine. Add oil if necessary. Use SAE 15W-40 multi-grade oil.
Hydraulic Oil	100	150	100	150	Check oil level before starting engine. Add oil if necessary. Use SAE 15W-40 multi-grade oil.
Transmission Oil	100	150	100	150	Check oil level before starting engine. Add oil if necessary. Use SAE 15W-40 multi-grade oil.
PTO Sealant	100	150	100	150	Check sealant level before starting engine. Add sealant if necessary. Use SAE 15W-40 multi-grade oil.
PTO Grease	100	150	100	150	Check grease level before starting engine. Add grease if necessary. Use SAE 15W-40 multi-grade oil.
PTO Bearings	100	150	100	150	Check bearing level before starting engine. Add bearing if necessary. Use SAE 15W-40 multi-grade oil.
PTO Bolts	100	150	100	150	Check bolt level before starting engine. Add bolt if necessary. Use SAE 15W-40 multi-grade oil.
PTO Nuts	100	150	100	150	Check nut level before starting engine. Add nut if necessary. Use SAE 15W-40 multi-grade oil.
PTO Washers	100	150	100	150	Check washer level before starting engine. Add washer if necessary. Use SAE 15W-40 multi-grade oil.
PTO Spacers	100	150	100	150	Check spacer level before starting engine. Add spacer if necessary. Use SAE 15W-40 multi-grade oil.
PTO Pins	100	150	100	150	Check pin level before starting engine. Add pin if necessary. Use SAE 15W-40 multi-grade oil.
PTO Clips	100	150	100	150	Check clip level before starting engine. Add clip if necessary. Use SAE 15W-40 multi-grade oil.
PTO Screws	100	150	100	150	Check screw level before starting engine. Add screw if necessary. Use SAE 15W-40 multi-grade oil.
PTO Bolts	100	150	100	150	Check bolt level before starting engine. Add bolt if necessary. Use SAE 15W-40 multi-grade oil.
PTO Nuts	100	150	100	150	Check nut level before starting engine. Add nut if necessary. Use SAE 15W-40 multi-grade oil.
PTO Washers	100	150	100	150	Check washer level before starting engine. Add washer if necessary. Use SAE 15W-40 multi-grade oil.
PTO Spacers	100	150	100	150	Check spacer level before starting engine. Add spacer if necessary. Use SAE 15W-40 multi-grade oil.
PTO Pins	100	150	100	150	Check pin level before starting engine. Add pin if necessary. Use SAE 15W-40 multi-grade oil.
PTO Clips	100	150	100	150	Check clip level before starting engine. Add clip if necessary. Use SAE 15W-40 multi-grade oil.
PTO Screws	100	150	100	150	Check screw level before starting engine. Add screw if necessary. Use SAE 15W-40 multi-grade oil.





DECALS

435 / 535

ITEM No	PART No.	DESCRIPTION	VENDOR No.	QUANTITY	
				435 535	
1	ESL15462	Decal Model Identification Front	D10116460	1	0
-	ESL15461	Decal Model Identification Front	-	0	1
2	ESL14543	Decal, Model Identification Center, RH	-	1	1
3	ESL14544	Decal, Model Identification, Center, LH	-	1	1
4	ESL11613	Decal, Model Identification, Rear, LH	-	1	1
5	ESL11614	Decal, Model Identification, Rear, RH	-	1	1
6	ESL14545	Decal, Transmission Shift Pattern	-	1	1
7	ESL11622	Decal, Filter Cleanliness	D10017640	2	2
8	ESL11618	Decal, Hydraulic Pump & Lift	D10018600	1	1
9	ESL13697	Decal, Caution	D10026810	1	1
10	ESL11628	Decal, PTO Control	-	1	1
11	ESL14546	Decal, PTO Guard (NI)	-	1	1
12	ESL12080	Decal, Warning Sign	-	1	1
13	ESL11621	Decal, Tractor Maintenance Service	-	1	1

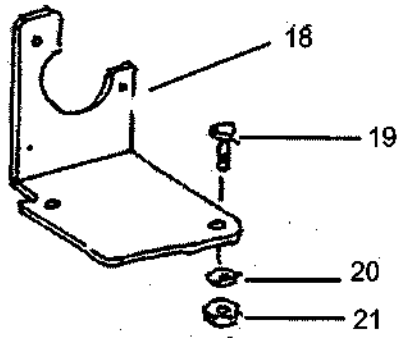
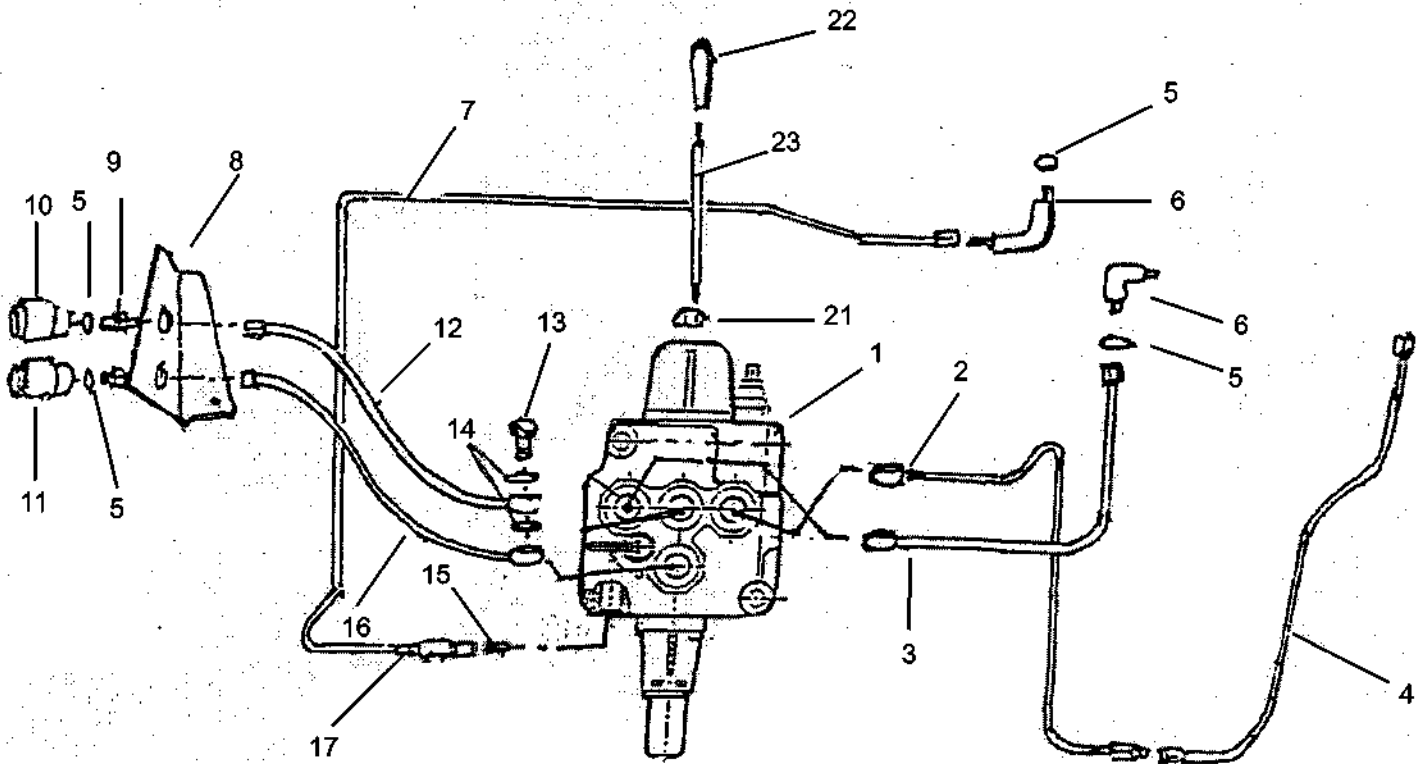
DECALS

435 / 535

ITEM No	PART No.	DESCRIPTION	VENDOR No.	QUANTITY
				435 535
14	ESL11637	Decal, Warning Instructions	-	1 1
15	ESL13696	Decal, Seat Belt	-	1 1
16	ESL13695	Decal, Tractor Warning	-	1 1
17	ESL13694	Decal, Torque	-	1 1
18	ESL13693	Decal, Starting Warning	-	1 1
19	ESL13619	Heat Reflective Tape (NI)	-	1 1
20	ESL11617	Decal, Operator Instruction (NI)	-	1 1
21	ESL11623	Decal, Fuse Box	-	1 1
22	ESL11640	Decal, Thermostat (NI)	-	1 1
23	ESL11639	Decal, Battery Warning	D10018620	1 1
24	ESL11632	Decal, Warranty Disclaimer	-	1 1
25	ESL11633	Plate, Vehicle Identification	-	1 1
26	ESL15601	Decal, EPA Engine (NI)	D10122960	2 2

OPTIONS

435 / 535



DOUBLE ACTING SPOOL VALVE KIT



OPTIONS

435 / 535

ITEM NO	PART NO.	DESCRIPTION	VENDOR No.	QUANTITY
				435 535
-	908011	Double Acting Spool Valve Kit	-	- 1
1	ESL14505	Spool Valve Assembly	D10089820	- 1
2	ESL15406	Tube, Spool Valve Inlet	D10108800	- 1
3	ESL15407	Tube, Valve to Hyd. Lift	D10108780	- 2
4	ESL15534	Tube, Hyd. Pump Pressure	D10138450	- 1
5	ESL15419	'O' Ring	D93600070	- 4
6	ESL11268	Elbow	D91500010	- 1
7	ESL15410	Tube, Valve Return	D10124610	- 1
8	ESL12606	Bracket, Coupling Mounting	D10027600	- 1
9	ESL15423	Connector	D10021160	- 2
10	ESL12604	Coupling, Hyd. Valve Remote	D10026100	- 1
11	ESL12605	Coupling, Hyd. Valve Remote	D10026110	- 1
12	ESL15411	Tube, Coupling Upper to Valve	D10108820	- 1
13	ESL15421	Banjo Bolt	D10006480	- 4
14	ESL15422	Copper Washer	D10054370	- 1
15	ESL15417	Adapter	D10118420	- 1
16	ESL15412	Tube, Coupling Lower to Valve	D10108830	- 1
17	ESL15420	Tee Connection	D10124020	- 1
18	ESL15416	Bracket, Valve Mounting	D10118140	- 1
19	ESL15433	Bolt, (M8x1.25x60-8.8)	D81500130	- 2
20	N630173S8	Washer, Spring (M8)	-	- 2
21	N620013S8	Nut, (M8x1.25-5), Hex	-	- 2
22	ESL15557	Knob	-	- 1
23	ESL15558	Lever Assembly	-	- 1

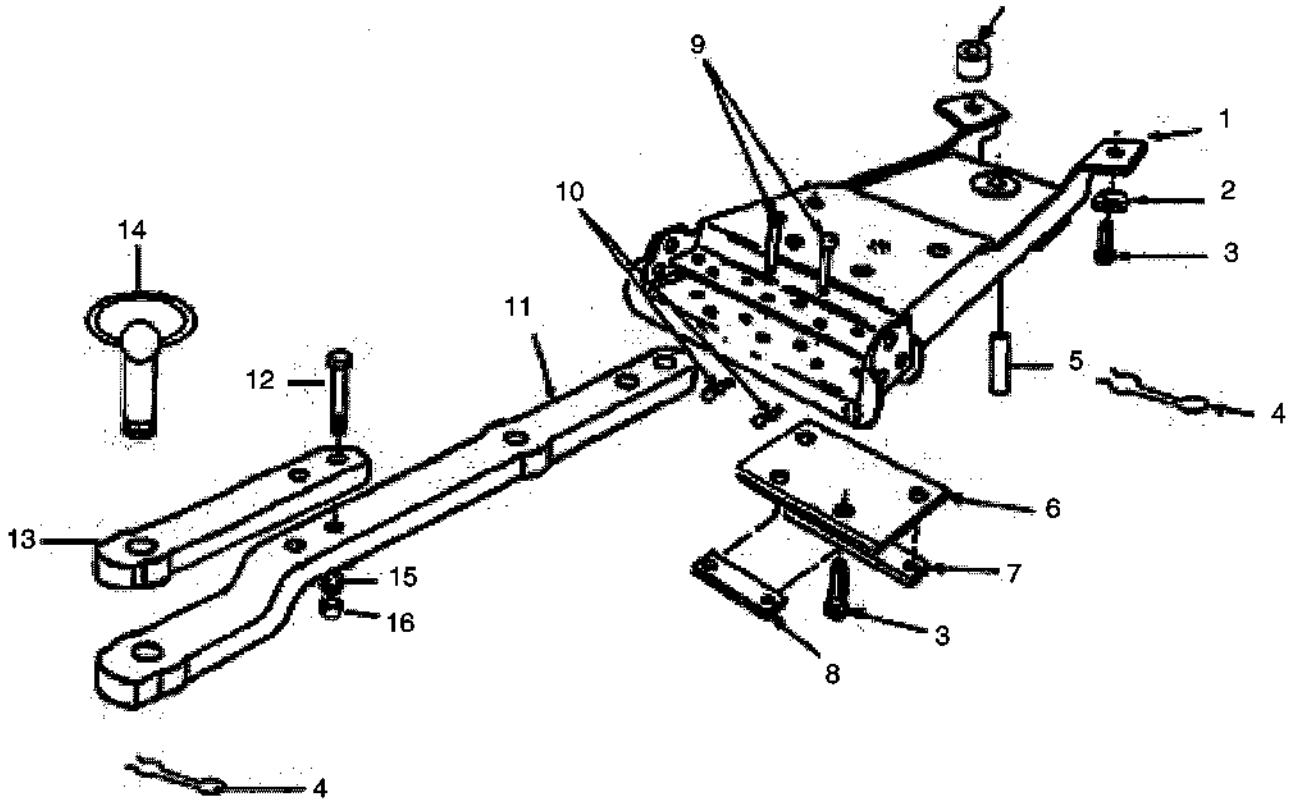
* Includes items 1-23

DOUBLE ACTING SPOOL VALVE KIT

⊗ - SERIAL NUMBER BREAK ,

✓ - INDICATES UP TO AND INCLUDING THAT SERIAL NUMBER

435 / 535

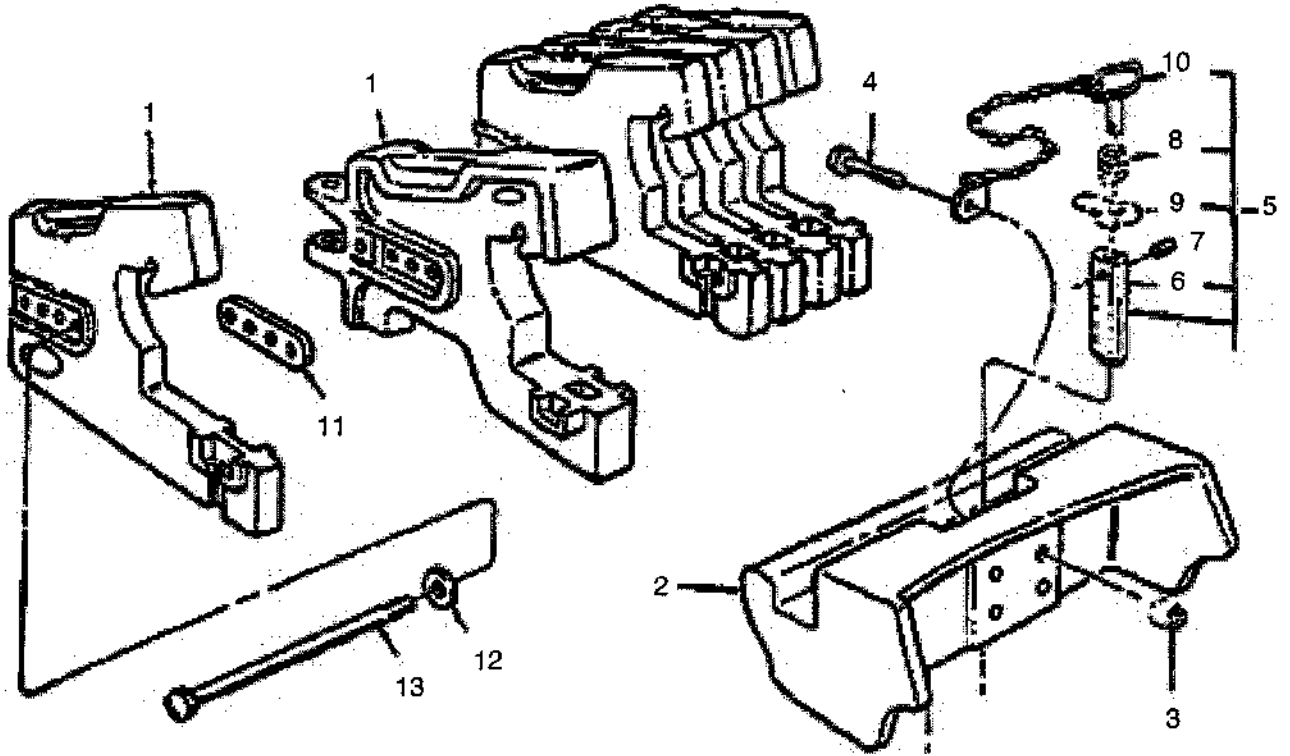


SWINGING DRAWBAR

435 / 535

ITEM No	PART No.	DESCRIPTION	VENDOR No.	QUANTITY
				435 535
1	ESL12589	Hanger Assembly, Drawbar	D10027210	1 1
2	ESL11712	Washer, Drawbar Hanger	D10027310	2 2
3	304768S8	Bolt, Hex (5/8 - 11 x 1.50)	D81000430	6 6
4	ESL11169	Spring, Drawbar Pin	D10027270	2 2
5	ESL11877	Pin, Drawbar	D10027250	1 1
6	ESL11172	Plate, Drawbar Hanger	D10027220	1 1
7	ESL11176	Strap	D10027300	1 1
8	ESL11175	Strap	D10027290	1 1
9	ESL11177	Pin, Drawbar Adjusting	D10027240	2 2
10	ESL12590	Pin, Clip	D10026210	2 2
11	ESL12588	Drawbar, Swinging	D10027230	1 1
12	ESL12599	Bolt (5/8-11x3.50)	D81000750	2 2
13	ESL13713	Strap Draw bar Clevis	D10027280	1 1
14	ESL13714	Pin, Drawbar Clevis	D10027260	1 1
15	34811S8	Washer, Lock (5/8)	D86000120	2 2
16	33849S8	Nut, Hex (5/8 - 11)	D83000090	2 2

SWINGING DRAWBAR



FRONT END WEIGHTS

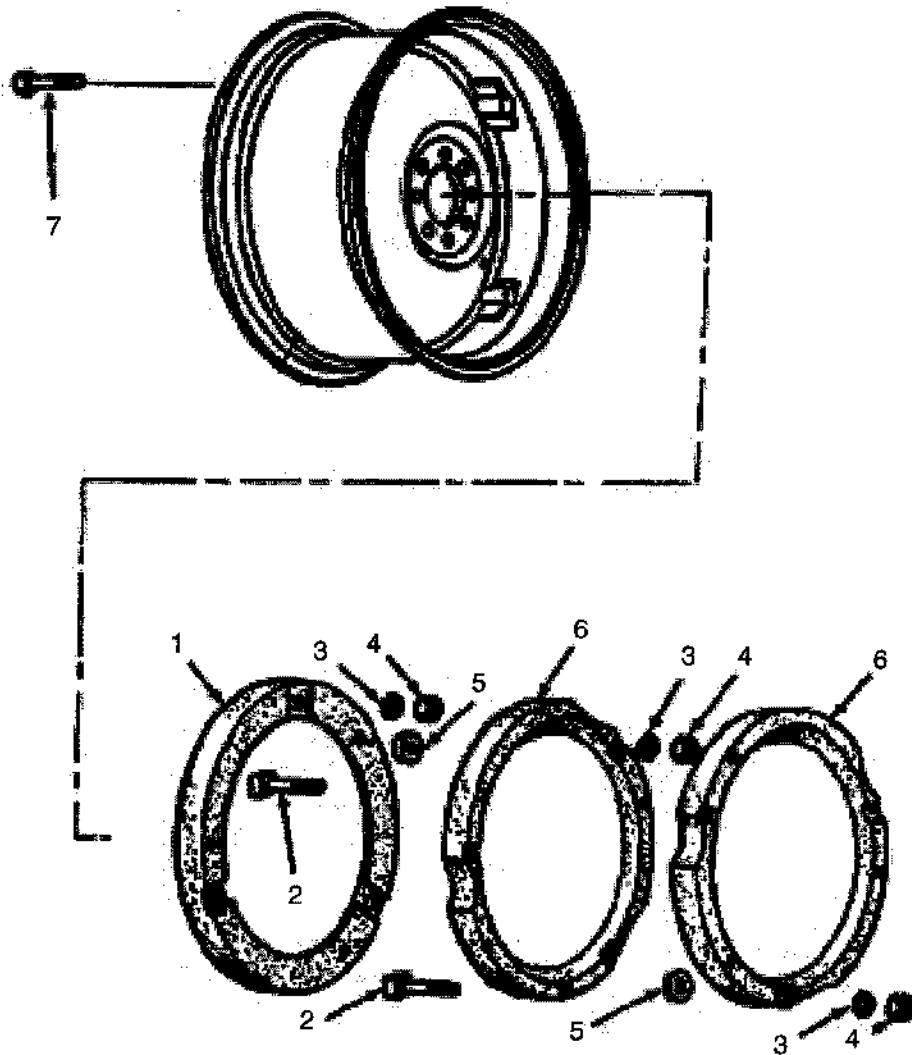
435 / 535

ITEM No	PART No.	DESCRIPTION	VENDOR No.	QUANTITY
				435 535
1	ESL13626	Weight, Front End	-	6 6
2	ESL13627	Carrier, Front End Weight	-	1 1
3	ESL13628	Spacer	-	4 4
4	304946S8	Bolt, Hex Head (3/4-10x3.50)	-	4 4
5	ESL13629	Pin Assembly, Front End Weight Retainer	-	1 1
6	ESL13630	Pin, Front Weight Retainer	-	1 1
7	ESL13631	Pin	-	1 1
8	ESL13632	Spring, Front End Weight Retainer	-	1 1
9	ESL13633	Bracket, Front End Retainer	-	1 1
10	ESL13634	Chain & Clevis Only	-	1 1
11	ESL13635	Plate, Front End Weight Clamp	-	1 1
12	E630038S8	Washer, Flat (M16)	-	4 4
13	82835166	Bolt, Front End Weight	-	4 4

FRONT END WEIGHTS

435 / 535

ITEM No	PART No.	DESCRIPTION	VENDOR No.	QUANTITY 435 / 535	
1	ESL10924	Weight, Rear Wheel Center	-	2	2
2	380304S8	Bolt, Square Head (5/8-11x3.00)	-	12	12
3	34811S8	Washer, Lock (5/8)	-	18	18
4	33849S8	Nut, Hex (5/8-11)	-	18	18
5	-	Washer, Weight Bolt Retainer (NSS)	-	12	12
6	ESL10926	Weight, Rear Wheel Auxillary	-	4	4
7	304933S8	Bolt, Hex Head (5/8-11x3.25)	-	6	6
8	ESL10925	Spacer, Rear Wheel Weight	-	6	6



REAR WHEEL WEIGHTS



Notes